



TELEDYNE MONITOR LABS
Everywhereyoulook™

Operation Manual
Model T300/T300M
Carbon Monoxide Analyzer

**TELEDYNE MONITOR LABS
35 INVERNESS DRIVE EAST
ENGLEWOOD, CO 80112
USA**

Toll-free Phone: 800-846-6062

Phone: 303-792-3300

Fax: 303-799-4853

Spare Parts: 800-934-2319

Repairs: 800-324-5190

Email: tml_support@teledyne.com

Website: <http://www.teledyne-ml.com/>

068640000 Rev. B

NOTICE OF COPYRIGHT

© Teledyne Technologies Incorporated. All rights reserved.

TRADEMARKS

All trademarks, registered trademarks, brand names or product names appearing in this document are the property of their respective owners and are used herein for identification purposes only.

This page intentionally left blank.

IMPORTANT SAFETY INFORMATION

Important safety messages are provided throughout this manual. Please read these messages carefully.

A safety message alerts you to potential hazards that could hurt you or others. Each safety message is associated with a safety alert symbol. These symbols are found in the manual and inside the instrument. The definition of these symbols is described below:



WARNING: Electrical Shock Hazard



HAZARD: Strong oxidizer



GENERAL WARNING/CAUTION: Read the accompanying message for specific information.



CAUTION: Hot Surface Warning



Technician Symbol: All operations marked with this symbol are to be performed by qualified maintenance personnel only.



DO NOT TOUCH: Touching some parts of the instrument without protection or proper tools could result in damage to the part(s) and/or the instrument.



Electrical Ground: This symbol inside the instrument marks the central safety grounding point for the instrument.



CAUTION - General Safety Hazard

This instrument should only be used for the purpose and in the manner described in this manual. If you use this instrument in a manner other than that for which it was intended, unpredictable behavior could ensue with possible hazardous consequences.

NEVER use any gas analyzer to sample combustible gases.

Note

Technical Assistance regarding the use and maintenance of the T300/T300M or any other Teledyne ML product can be obtained by contacting Teledyne ML's Customer Service Department:

Phone: 800-846-6062

Email: tml_support@teledyne.com

or by accessing various service options on our website at

<http://www.teledyne-ml.com/>.

CONSIGNES DE SÉCURITÉ

Des consignes de sécurité importantes sont fournies tout au long du présent manuel dans le but d'éviter des blessures corporelles ou d'endommager les instruments. Veuillez lire attentivement ces consignes. Chaque consigne de sécurité est représentée par un pictogramme d'alerte de sécurité; ces pictogrammes se retrouvent dans ce manuel et à l'intérieur des instruments. Les symboles correspondent aux consignes suivantes:



AVERTISSEMENT: Risque de choc électrique



DANGER: Oxydant puissant



AVERTISSEMENT GÉNÉRAL / MISE EN GARDE: Lire la consigne complémentaire pour des renseignements spécifiques



MISE EN GARDE: Surface chaude



Ne pas toucher: Toucher à certaines parties de l'instrument sans protection ou sans les outils appropriés pourrait entraîner des dommages aux pièces ou à l'instrument.



Pictogramme « technician »: Toutes les opérations portant ce symbole doivent être effectuées uniquement par du personnel de maintenance qualifié.



Mise à la terre: Ce symbole à l'intérieur de l'instrument détermine le point central de la mise à la terre sécuritaire de l'instrument.

MISE EN GARDE



Cet instrument doit être utilisé aux fins décrites et de la manière décrite dans ce manuel. Si vous utilisez cet instrument d'une autre manière que celle pour laquelle il a été prévu, l'instrument pourrait se comporter de façon imprévisible et entraîner des conséquences dangereuses.

NE JAMAIS utiliser un analyseur de gaz pour échantillonner des gaz combustibles!

WARRANTY

WARRANTY POLICY (02024D)

Teledyne Monitor Labs (TML), a business unit of Teledyne Instruments, Inc., warrants its products as follows:

Prior to shipment, TML equipment is thoroughly inspected and tested. Should equipment failure occur, TML assures its customers that prompt service and support will be available.

COVERAGE

After the warranty period and throughout the equipment lifetime, TML stands ready to provide on-site or in-plant service at reasonable rates similar to those of other manufacturers in the industry. All maintenance and the first level of field troubleshooting are to be performed by the customer.

NON-TML MANUFACTURED EQUIPMENT

Equipment provided but not manufactured by TML is warranted and will be repaired to the extent and according to the current terms and conditions of the respective equipment manufacturer's warranty.

GENERAL

During the warranty period, TML warrants each Product manufactured by TML to be free from defects in material and workmanship under normal use and service. Expendable parts are excluded.

If a Product fails to conform to its specifications within the warranty period, TML shall correct such defect by, in TML's discretion, repairing or replacing such defective Product or refunding the purchase price of such Product.

The warranties set forth in this section shall be of no force or effect with respect to any Product: (i) that has been altered or subjected to misuse, negligence or accident, or (ii) that has been used in any manner other than in accordance with the instruction provided by TML, or (iii) not properly maintained.

THE WARRANTIES SET FORTH IN THIS SECTION AND THE REMEDIES THEREFORE ARE EXCLUSIVE AND IN LIEU OF ANY IMPLIED WARRANTIES OF MERCHANTABILITY, FITNESS FOR PARTICULAR PURPOSE OR OTHER WARRANTY OF QUALITY, WHETHER EXPRESSED OR IMPLIED. THE REMEDIES SET FORTH IN THIS SECTION ARE THE EXCLUSIVE REMEDIES FOR BREACH OF ANY WARRANTY CONTAINED HEREIN. TML SHALL NOT BE LIABLE FOR ANY INCIDENTAL OR CONSEQUENTIAL DAMAGES ARISING OUT OF OR RELATED TO THIS AGREEMENT OF TML'S PERFORMANCE HEREUNDER, WHETHER FOR BREACH OF WARRANTY OR OTHERWISE.

TERMS AND CONDITIONS

All units or components returned to Teledyne ML should be properly packed for handling and returned freight prepaid to the nearest designated Service Center. After the repair, the equipment will be returned, freight prepaid.

ATTENTION

AVOID WARRANTY INVALIDATION

Failure to comply with proper anti-Electro-Static Discharge (ESD) handling and packing instructions and Return Merchandise Authorization (RMA) procedures when returning parts for repair or calibration may void your warranty. For anti-ESD handling and packing instructions please refer to "Packing Components for Return to Teledyne ML's Customer Service" in the Primer on Electro-Static Discharge section of this manual, and for RMA procedures please refer to our Website at <http://www.teledyne-ml.com> under Customer Support > Return Authorization.

This page intentionally left blank.

ABOUT THIS MANUAL

Presented here is information regarding the documents that are included with this manual (Structure), its history of release and revisions (Revision History), how the content is organized (Organization), a description of other information related to this manual (Related Information), and the conventions used to present the information in this manual (Conventions Used).

STRUCTURE

This T300 manual, PN 068640000, is comprised of multiple documents, assembled in PDF format, as listed below.

Part No.	Rev	Name/Description
06864	B	Operation Manual, T300 Carbon Monoxide Analyzer
04906	H	Appendix A, Menu Trees and related software documentation
06849	A	Spare Parts List (in Appendix B of this manual)
04301	E	Recommended Spares Stocking Levels List/T300 (in Appendix B of this manual)
04834	G	Recommended Spares Stocking Levels List/T300M (in Appendix B of this manual)
04305	G	Appendix C, Repair Form
06912	B	Interconnect Diagram (in Appendix D of this manual)
069120100	B	Interconnect Table (in Appendix D of this manual)
Schematics (in Appendix D of this manual)		
03297	K	PCA, 03296, IR Photodetector Preamp and Sync Demodulator
03632	A	PCA, 03631, 0-20mA driver
04354	D	PCA, 04003, Pressure/Flow Transducer Interface
05033	A	PCA, 05032, Opto-Interrupter
04136	B	PCA, 04135, Relay Board
04468	B	PCA, 04467, Analog Output Isolator
05803	B	SCH, PCA 05802, MOTHERBOARD, GEN-5
06698	D	SCH, PCA 06670, INTRFC, LCD TCH SCRN,
06882	B	SCH, LVDS TRANSMITTER BOARD
06731	B	SCH, AUX-I/O BOARD

Note

We recommend that this manual be read in its entirety before any attempt is made to operate the instrument.

ORGANIZATION

This manual is divided among three main parts and a collection of appendices at the end.

Part I contains introductory information that includes an overview of the analyzer, descriptions of the available options, specifications, installation and connection instructions, and the initial calibration and functional checks. The last two sections contain Frequently Asked Questions (FAQs) followed by a glossary, and a description of available options.

Part II comprises the operating instructions, which include basic, advanced and remote operation, calibration, diagnostics, testing, validating and verifying, and ends with specifics of calibrating for use in EPA monitoring.

Part III provides detailed technical information, such as theory of operation, maintenance, and troubleshooting and repair. It also contains a section that provides important information about electro-static discharge and avoiding its consequences.

The appendices at the end of this manual provide support information such as, version-specific software documentation, lists of spare parts and recommended stocking levels, and schematics.

CONVENTIONS USED

In addition to the safety symbols as presented in the *Important Safety Information* page, this manual provides *special notices* related to the safety and effective use of the analyzer and other pertinent information.

Special Notices appear as follows:

ATTENTION

COULD DAMAGE INSTRUMENT AND VOID WARRANTY

This special notice provides information to avoid damage to your instrument and possibly invalidate the warranty.

IMPORTANT

IMPACT ON READINGS OR DATA

Could either affect accuracy of instrument readings or cause loss of data.

Note

Pertinent information associated with the proper care, operation, or maintenance of the analyzer or its parts.

REVISION HISTORY

This section provides information regarding changes to this manual.

May 2016, T300/300M Manual, PN068640000 Rev B

Document	PN	Rev	DCN	Change Summary
Top Assy Manual	06864	B	6314	<p>Administrative changes: restructure to new T-Series format:</p> <ul style="list-style-type: none"> • Consolidated Options sections and restructured into tabular format; moved to Section 1. • Corrected Safety Compliance (was: IEC 61010-1:90 + A1:92 + A2:95; is: IEC 61010-1:2001). • Added North American Certification statement. • Section 2.1 – added 2nd gas sensor options specs. • Replaced Fig 3-5 with correct internal layout illustration (was short box; is long box). • Move pneumatic illustrations from Options section to pneumatic setup section. • Gathered communications setup and operation into one group (Section 6). • Renamed Part III from “Technical Information” to “Maintenance and Service”. • Renamed “Troubleshooting and Repair” to “Troubleshooting and Service”. • Renamed section “Theory of Operation” to “Principles of Operation”. • Moved “Principles of Operation” section after “Maintenance” and “Troubleshooting and Service” sections. • Moved FAQs to end of Troubleshooting/Service section • Moved Glossary to end of manual before Index. <p>Technical changes:</p> <ul style="list-style-type: none"> • Status Outputs: added connection line for +5V to external device (Fig 3-11) and corrected DC Power pin description (Table 3-6, deleted “combined rating w/Control Output if used”). • Section 3.3.1.8: modify Multidrop connection section to clarify instructions and add detail. • Correct COM1 default baud rate value to 115,200 (was: 19,200) • Added USB driver download instructions (Section 6.6) • Replaced Appendix D Wiring List Rev A with Rev B. • Replaced Appendix D Wiring Diagram Rev A with Rev B. • Swapped Appendix D Prss/Flow Transducer was 04003 (assembly dwg) is 04354 (elec. schematic). • Replaced Appendix D Schematic 06731 Rev A with Rev B.

2010, September 14, T300 Manual, PN068640000 Rev A, DCN 5840 Initial Release

This page intentionally left blank.

TABLE OF CONTENTS

PART I GENERAL INFORMATION	23
1. INTRODUCTION, FEATURES AND OPTIONS	25
1.1. T300 Family Overview	25
1.2. Features	26
1.3. T300/T300M Documentation	26
1.4. Options	27
2. SPECIFICATIONS AND APPROVALS.....	31
2.1. Specifications	31
2.2. EPA Equivalency Designation	33
2.3. Approvals and Certifications	34
2.3.1. Safety	34
2.3.2. EmC	34
2.3.3. Other Type Certifications	34
3. GETTING STARTED.....	35
3.1. Unpacking the T300/T300M Analyzer	35
3.1.1. Ventilation Clearance.....	36
3.2. Instrument Layout	37
3.2.1. Front Panel.....	37
3.2.2. Rear panel.....	41
3.2.3. T300/T300M Analyzer Layout.....	43
3.3. Connections and Setup.....	46
3.3.1. Electrical Connections	46
3.3.1.1. Connecting Power	46
3.3.1.2. Connecting Analog Inputs (Option)	47
3.3.1.3. Connecting Analog Outputs	47
3.3.1.4. Current Loop Analog Outputs (Option 41) Setup	48
3.3.1.5. Connecting the Status Outputs	50
3.3.1.6. Connecting the Control Inputs.....	51
3.3.1.7. Connecting the Concentration Alarm Relay (Option 61)	53
3.3.1.8. Connecting the Communication Interfaces	54
3.3.2. Pneumatic Connections	61
3.3.2.1. Pneumatic Connections for Basic Configuration	63
3.3.2.2. Pneumatic Layout for Basic configuration	65
3.3.2.3. Pneumatic Connections for Ambient Zero/Ambient Span Valve Option	65
3.3.2.4. Pneumatic Layout for Ambient Zero/Ambient Span Valve Option	67
3.3.2.5. Pneumatic Connections for Ambient Zero/Pressurized Span	68
3.3.2.6. Pneumatic Layout for Ambient Zero/Pressurized Span Option	70
3.3.2.7. Pneumatic Connections for Zero Scrubber/Pressurized Span Option	71
3.3.2.8. Pneumatic Layout for Zero Scrubber/Pressurized Span Option	72
3.3.2.9. Pneumatic Connections for Zero Scrubber/Ambient Span Option	73
3.3.2.10. Pneumatic Layout for Zero scrubber/ Ambient Span OPTion	75
3.3.2.11. Calibration Gases	75
3.4. Startup, Functional Checks, and Initial Calibration	77
3.4.1. Startup.....	77
3.4.2. Warning Messages	77
3.4.3. Functional Checks	79
3.4.4. Initial Calibration	80
3.4.4.1. Interferents for CO Measurements	81
3.4.4.2. Initial Calibration Procedure	81
3.4.4.3. O2 Sensor Calibration Procedure	86
3.4.4.4. CO2 Sensor Calibration Procedure	86

PART II OPERATING INSTRUCTIONS	89
4. OVERVIEW OF OPERATING MODES	91
4.1. Sample Mode.....	92
4.1.1. Test Functions	92
4.1.2. Warning Messages	95
4.2. Calibration Mode.....	96
4.3. Setup MODE.....	97
4.3.1. Password Security	97
4.3.2. Primary Setup Menu	97
4.3.3. The areas accessible under the Setup mode are shown in Table 4-4 and Secondary Setup Menu (SETUP>MORE).....	97
4.3.4. Secondary Setup Menu (SETUP>MORE).....	98
5. SETUP MENU 99	
5.1. SETUP → CFG: Configuration Information	99
5.2. SETUP → ACAL: Automatic Calibration.....	100
5.3. SETUP →DAS: Internal Data Acquisition System.....	100
5.4. SETUP → RNGE: Analog Output Reporting Range Configuration	100
5.4.1. Analog Output Ranges for CO Concentration	100
5.4.2. Physical Range vs Analog Output Reporting Ranges	101
5.4.3. Reporting Range Modes: Single, Dual, Auto Ranges	102
5.4.3.1. SINGLE Range Mode (SNGL)	104
5.4.3.2. DUAL Range Mode (DUAL)	105
5.4.3.3. AUTO Range Mode (AUTO)	107
5.4.4. Range Units	109
5.4.5. Dilution Ratio (Option).....	110
5.5. SETUP → PASS: Password Protection.....	111
5.6. SETUP → CLK: Setting the Internal Time-of-Day Clock and Adjusting Speed.....	113
5.6.1.1. Setting the Internal Clock's Time and Day	113
5.6.1.2. Adjusting the Internal Clock's Speed.....	113
5.7. SETUP →Comm: Communications Ports	115
5.7.1. ID (Machine Identification)	115
5.7.2. INET (Ethernet).....	115
5.7.3. COM1 and COM2 (Mode, Baud Rate and Test Port).....	115
5.8. SETUP →VARS: Variables Setup and Definition	116
5.9. SETUP →Diag: Diagnostics Functions.....	118
5.9.1. Signal I/O	120
5.9.2. Analog Output.....	121
5.9.3. Analog I/O Configuration.....	122
5.9.3.1. Analog Output Voltage / Current Range Selection.....	124
5.9.3.2. Analog Output Calibration	126
5.9.3.3. Enabling or Disabling the AutoCal for an Individual Analog Output.....	126
5.9.3.4. Automatic Calibration of the Analog Outputs	128
5.9.3.5. Individual Calibration of the Analog Outputs	129
5.9.3.6. Manual Calibration of the Analog Outputs Configured for Voltage Ranges.....	130
5.9.3.7. Manual Adjustment of Current Loop Output Span and Offset	132
5.9.3.8. Turning an Analog Output Over-Range Feature ON/OFF	135
5.9.3.9. Adding a Recorder Offset to an Analog Output.....	136
5.9.3.10. AIN Calibration	137
5.9.3.11. Analog Inputs (XIN1 .. XIN8) Option Configuration	138
5.9.4. Electrical Test	139
5.9.5. Dark Calibration	139
5.9.6. Pressure Calibration	139
5.9.7. Flow Calibration	140
5.9.8. Test Chan Output.....	140
5.9.8.1. Selecting a Test Channel Function for Output A4.....	140

5.10. SETUP → MORE → ALRM (Option): Using the Gas Concentration Alarms	142
5.10.1. Setting the T300 Concentration Alarm Limits	143
6. COMMUNICATIONS SETUP AND OPERATION	145
6.1. Data Terminal/Communication Equipment (DTE DCE)	145
6.2. Communication Modes, Baud Rate and Port Testing	145
6.2.1. Communication Modes	146
6.2.2. COM Port Baud Rate	148
6.2.3. Com Port Testing	149
6.3. RS-232	149
6.4. RS-485 (Option)	150
6.5. Ethernet	150
6.5.1. Configuring Ethernet Communication Manually (Static IP Address)	151
6.5.2. Configuring Ethernet Communication Using Dynamic Host Configuration Protocol (DHCP)	153
6.5.3. Changing the Analyzer's HOSTNAME	154
6.6. USB Port (Option) for Remote Access	155
6.7. Communications Protocols	157
6.7.1. MODBUS	157
6.7.2. Hessen	158
6.7.2.1. Hessen COMM Port Configuration	159
6.7.2.2. Activating Hessen Protocol	161
6.7.2.3. Selecting a Hessen Protocol Type	162
6.7.2.4. Setting The Hessen Protocol Response Mode	163
6.7.3. Hessen Protocol Gas List Entries	164
6.7.3.1. Hessen Protocol Gas ID	164
6.7.3.2. Editing or Adding HESSEN Gas List Entries	165
6.7.3.3. Deleting HESSEN Gas List Entries	166
6.7.3.4. Setting Hessen Protocol Status Flags	167
6.7.3.5. Instrument ID	168
7. DATA ACQUISITION SYSTEM (DAS) AND APICOM	169
7.1. DAS Structure	170
7.1.1. DAS Data Channels	171
7.1.2. Default DAS Channels	171
7.1.3. Viewing DAS Channels and Individual Records	174
7.1.4. Editing DAS Channels	175
7.1.4.1. Editing DAS Data Channel Names	176
7.1.5. Editing DAS Triggering Events	177
7.1.6. Editing DAS Parameters	178
7.1.7. Sample Period and Report Period	180
7.1.8. Number of Records	183
7.1.9. RS-232 Report Function	185
7.1.9.1. The Compact Report Feature	185
7.1.9.2. The Starting Date Feature	186
7.1.10. Disabling/Enabling Data Channels	186
7.1.11. HOLDOFF Feature	187
7.2. Remote DAS Configuration	188
7.2.1. DAS Configuration via APICOM	188
7.2.2. DAS Configuration Using Terminal Emulation Programs	190
8. REMOTE OPERATION	191
8.1. Computer Mode	191
8.1.1. Remote Control via APICOM	191
8.2. Interactive Mode	192
8.2.1. Remote Control via a Terminal Emulation Program	192
8.2.1.1. Help Commands in Interactive Mode	192
8.2.1.2. Command Syntax	192
8.2.1.3. Data Types	193

8.2.1.4. Status Reporting.....	194
8.2.1.5. General Message Format.....	194
8.3. Remote Access by Modem.....	194
8.4. Password Security for Serial Remote Communications.....	197
9. CALIBRATION PROCEDURES.....	199
9.1. Calibration Preparations.....	199
9.1.1. Required Equipment, Supplies, and Expendables.....	199
9.1.1.1. Zero Air.....	200
9.1.1.2. Span Gas.....	200
9.1.1.3. Calibration Gas Standards and Traceability.....	200
9.1.2. Data Recording Devices.....	201
9.2. Manual Calibration.....	201
9.2.1. Setup for Basic Calibration Checks and Calibration.....	202
9.2.2. Performing a Basic Manual Calibration Check.....	203
9.2.3. Performing a Basic Manual Calibration.....	204
9.2.3.1. Setting the Expected Span Gas Concentration.....	204
9.2.3.2. Zero/Span Point Calibration Procedure.....	206
9.3. Manual Calibration with Zero/Span Valves.....	207
9.3.1. Setup for Calibration Using Valve Options.....	207
9.3.2. Manual Calibration Checks with Valve Options Installed.....	210
9.3.3. Manual Calibration Using Valve Options.....	211
9.3.3.1. Setting the Expected Span Gas Concentration.....	211
9.3.3.2. Zero/Span Point Calibration Procedure.....	212
9.3.3.3. Use of Zero/Span Valve with Remote Contact Closure.....	214
9.4. Automatic Zero/Span Cal/Check (AutoCal).....	214
9.4.1. SETUP → ACAL: Programming and AUTO CAL Sequence.....	217
9.4.1.1. AutoCal with Auto or Dual Reporting Ranges Modes Selected.....	219
9.5. CO Calibration Quality.....	220
9.6. Calibration of the T300/T300M's Electronic Subsystems.....	221
9.6.1. Dark Calibration Test.....	221
9.6.2. Pressure Calibration.....	222
9.6.3. Flow Calibration.....	224
9.7. Calibration of Optional Sensors.....	225
9.7.1. O ₂ Sensor Calibration.....	225
9.7.1.1. O ₂ Pneumatics Connections.....	225
9.7.1.2. Set O ₂ Span Gas Concentration.....	226
9.7.1.3. Activate O ₂ Sensor Stability Function.....	227
9.7.1.4. O ₂ ZERO/SPAN CALIBRATION.....	228
9.7.2. CO ₂ Sensor Calibration Procedure.....	229
9.7.2.1. CO ₂ Pneumatics Connections.....	229
9.7.2.2. Set CO ₂ Span Gas Concentration:.....	230
9.7.2.3. Activate CO ₂ Sensor Stability Function.....	231
9.7.2.4. CO ₂ Zero/Span Calibration.....	232
10. EPA CALIBRATION PROTOCOL.....	233
10.1. Calibration Requirements.....	233
10.1.1. Calibration of Equipment - General Guidelines.....	233
10.1.2. Calibration Equipment, Supplies, and Expendables.....	234
10.1.2.1. Data Recording Device.....	234
10.1.2.2. Spare Parts and Expendable Supplies.....	234
10.1.3. Recommended Standards for Establishing Traceability.....	235
10.1.4. Calibration Frequency.....	236
10.1.5. Level 1 Calibrations versus Level 2 Checks.....	236
10.2. ZERO and SPAN Checks.....	237
10.2.1. Zero/Span Check Procedures.....	238
10.2.2. Precision Check.....	238

10.3. Precisions Calibration	239
10.3.1. Precision Calibration Procedures	239
10.4. Auditing Procedure	239
10.4.1. Calibration Audit	239
10.4.2. Data Reduction Audit	240
10.4.3. System Audit/Validation	240
10.5. Dynamic Multipoint Calibration Procedure	240
10.5.1. Linearity test	240
10.6. References	242
PART III TECHNICAL INFORMATION	243
11. MAINTENANCE SCHEDULE & PROCEDURES	247
11.1. Maintenance Schedule	247
11.2. Predicting Failures Using the Test Functions	251
11.3. Maintenance Procedures	252
11.3.1. Replacing the Sample Particulate Filter	252
11.3.2. Rebuilding the Sample Pump	253
11.3.3. Performing Leak Checks	253
11.3.3.1. Vacuum Leak Check and Pump Check	253
11.3.3.2. Pressure Leak Check	253
11.3.4. Performing a Sample Flow Check	254
11.3.5. Cleaning the Optical Bench	254
11.3.6. Cleaning Exterior Surfaces of the T300/T300M	254
12. TROUBLESHOOTING AND SERVICE	255
12.1. General Troubleshooting	255
12.1.1. Fault Diagnosis with WARNING Messages	256
12.1.2. Fault Diagnosis with TEST Functions	260
12.1.3. the Diagnostic Signal I/O Function	263
12.1.4. Status LEDs	265
12.1.4.1. Motherboard Status Indicator (Watchdog)	265
12.1.4.2. Sync Demodulator Status LEDs	266
12.1.4.3. Relay Board Status LEDs	267
12.2. Gas Flow Problems	269
12.2.1. T300/T300M Internal Gas Flow Diagrams	270
12.2.2. Typical Sample Gas Flow Problems	273
12.2.2.1. Flow is Zero	273
12.2.2.2. Low Flow	274
12.2.2.3. High Flow	274
12.2.2.4. Displayed Flow = "Warnings"	275
12.2.2.5. Actual Flow Does Not Match Displayed Flow	275
12.2.2.6. Sample Pump	275
12.3. Calibration Problems	275
12.3.1. Miscalibrated	275
12.3.2. Non-Repeatable Zero and Span	276
12.3.3. Inability to Span – No SPAN Button (CALS)	276
12.3.4. Inability to Zero – No ZERO Button (CALZ)	276
12.4. Other Performance Problems	277
12.4.1. Temperature Problems	277
12.4.1.1. Box or Sample Temperature	277
12.4.1.2. Bench Temperature	277
12.4.1.3. GFC Wheel Temperature	278
12.4.1.4. IR Photo-Detector TEC Temperature	279
12.4.2. Excessive Noise	279
12.5. Subsystem Checkout	280
12.5.1. AC Mains Configuration	280
12.5.2. DC Power Supply	281

12.5.3. I ² C Bus	281
12.5.4. Touchscreen Interface	282
12.5.5. LCD Display Module	282
12.5.6. Relay Board	282
12.5.7. Sensor Assembly	283
12.5.7.1. Sync/Demodulator Assembly	283
12.5.7.2. Electrical Test	283
12.5.7.3. Opto Pickup Assembly	284
12.5.7.4. GFC Wheel Drive	284
12.5.7.5. IR Source	284
12.5.7.6. Pressure/Flow Sensor Assembly	285
12.5.8. Motherboard	286
12.5.8.1. A/D Functions	286
12.5.8.2. Test Channel / Analog Outputs Voltage	286
12.5.8.3. Analog Outputs: Current Loop	287
12.5.8.4. Status Outputs	288
12.5.8.5. Control Inputs – Remote Zero, Span	288
12.5.9. CPU	289
12.5.10. RS-232 Communications	289
12.5.10.1. General RS-232 Troubleshooting	289
12.5.10.2. Troubleshooting Analyzer/Modem or Terminal Operation	290
12.5.11. The Optional CO ₂ Sensor	290
12.6. Repair Procedures	291
12.6.1. Repairing Sample Flow Control Assembly	291
12.6.2. Removing/Replacing the GFC Wheel	292
12.6.3. Checking and Adjusting the Sync/Demodulator, Circuit Gain (CO MEAS)	294
12.6.3.1. Checking the Sync/Demodulator Circuit Gain	294
12.6.3.2. Adjusting the Sync/Demodulator, Circuit Gain	295
12.6.4. Disk-On-Module Replacement	296
12.7. Frequently Asked Questions	297
12.8. Technical Assistance	298
13. THEORY OF OPERATION	299
13.1. Measurement Method	299
13.1.1. Beer's Law	299
13.2. Measurement Fundamentals	300
13.2.1. Gas Filter Correlation	301
13.2.1.1. The GFC Wheel	301
13.2.1.2. The Measure Reference Ratio	302
13.2.1.3. Summary Interference Rejection	305
13.3. Flow Rate Control	306
13.3.1.1. Critical Flow Orifice	307
13.3.2. Particulate Filter	308
13.3.3. Pneumatic Sensors	308
13.3.3.1. Sample Pressure Sensor	308
13.3.3.2. Sample Flow Sensor	308
13.4. Electronic Operation	308
13.4.1. CPU	311
13.4.1.1. Disk-On-Module (DOM)	311
13.4.1.2. Flash Chip	311
13.4.2. Optical Bench & GFC Wheel	312
13.4.2.1. Temperature Control	312
13.4.2.2. IR Source	312
13.4.2.3. GFC Wheel	312
13.4.2.4. IR Photo-Detector	314
13.4.3. Synchronous Demodulator (Sync/Demod) Assembly	314
13.4.3.1. Signal Synchronization and Demodulation	315

13.4.3.2. Sync/Demod Status LEDs	316
13.4.3.3. Photo-Detector Temperature Control	317
13.4.3.4. Dark Calibration Switch	317
13.4.3.5. Electric Test Switch	317
13.4.4. Relay Board	317
13.4.4.1. Heater Control	317
13.4.4.2. GFC Wheel Motor Control	317
13.4.4.3. Zero/Span Valve Options	318
13.4.4.4. IR Source	318
13.4.4.5. Status LEDs	319
13.4.4.6. I2C Watch Dog Circuitry	319
13.4.5. MotherBoard	320
13.4.5.1. A to D Conversion	320
13.4.5.2. Sensor Inputs	320
13.4.5.3. Thermistor Interface	321
13.4.5.4. Analog Outputs	321
13.4.5.5. Internal Digital I/O	321
13.4.5.6. External Digital I/O	321
13.4.6. I ² C Data Bus	322
13.4.7. Power Supply/ Circuit Breaker	322
13.4.8. Front Panel Touchscreen/Display Interface	324
13.4.8.1. LVDS Transmitter Board	324
13.4.8.2. Front Panel Touchscreen/Display Interface PCA	324
13.5. Software Operation	325
13.5.1. Adaptive Filter	325
13.5.2. Calibration - Slope and Offset	326
13.5.3. Measurement Algorithm	326
13.5.4. Temperature and Pressure Compensation	326
13.5.5. Internal Data Acquisition System (DAS)	326
14. A PRIMER ON ELECTRO-STATIC DISCHARGE	327
14.1. How Static Charges are Created	327
14.2. How Electro-Static Charges Cause Damage	328
14.3. Common Myths About ESD Damage	329
14.4. Basic Principles of Static Control	330
14.4.1. General Rules	330
14.4.2. Basic anti-ESD Procedures for Analyzer Repair and Maintenance	331
14.4.2.1. Working at the Instrument Rack	331
14.4.2.2. Working at an Anti-ESD Work Bench	332
14.4.2.3. Transferring Components from Rack to Bench and Back	332
14.4.2.4. Opening Shipments from Teledyne ML Customer Service	333
14.4.2.5. Packing Components for Return to Teledyne ML Customer Service	333

LIST OF APPENDICES

APPENDIX A - VERSION SPECIFIC SOFTWARE DOCUMENTATION
 APPENDIX B - T300/T300M SPARE PARTS LIST
 APPENDIX C - REPAIR QUESTIONNAIRE - T300
 APPENDIX D - SCHEMATICS

LIST OF FIGURES

Figure 3-1:	Front Panel Layout.....	37
Figure 3-2:	Display Screen and Touch Control	38
Figure 3-3:	Display/Touch Control Screen Mapped to Menu Charts	40
Figure 3-4:	Rear Panel Layout	41
Figure 3-5:	Internal Layout – T300	43
Figure 3-6:	Internal Layout – T300M	44
Figure 3-7:	Optical Bench Layout (shorter bench, T300M, shown)	45
Figure 3-8:	Analog In Connector	47
Figure 3-9:	Analog Output Connector	48
Figure 3-10:	Current Loop Option Installed on Motherboard	49
Figure 3-11:	Status Output Connector	50
Figure 3-12:	Control Input Connector.....	52
Figure 3-13:	Concentration Alarm Relay.....	53
Figure 3-14:	Rear Panel Connector Pin-Outs for RS-232 Mode.....	56
Figure 3-15:	Default Pin Assignments for CPU COM Port connector (RS-232)	57
Figure 3-16:	Multidrop/LVDS PCA Seated on CPU	59
Figure 3-17:	RS-232-Multidrop PCA Host/Analyzer Interconnect Diagram	60
Figure 3-18:	Pneumatic Connections–Basic Configuration–Using Bottled Span Gas.....	63
Figure 3-19:	Pneumatic Connections–Basic Configuration–Using Gas Dilution Calibrator.....	63
Figure 3-20:	T300/T300M Internal Gas Flow (Basic Configuration)	65
Figure 3-21:	Pneumatic Connections – Option 50A: Zero/Span Calibration Valves.....	66
Figure 3-22:	Internal Pneumatic Flow OPT 50A – Zero/Span Valves.....	67
Figure 3-23:	Pneumatic Connections – Option 50B: Ambient Zero/Pressurized Span Calibration Valves	68
Figure 3-24:	Internal Pneumatic Flow OPT 50B – Zero/Span/Shutoff Valves	70
Figure 3-25:	Pneumatic Connections – Zero Scrubber/Pressurized Span Calibration Valves (Opt 50E)	71
Figure 3-26:	Internal Pneumatic Flow OPT 50E – Zero Scrubber/Pressurized Span.....	72
Figure 3-27:	Pneumatic Connections – Option 50H: Zero/Span Calibration Valves	73
Figure 3-28:	Internal Pneumatic Flow OPT 50H – Zero Scrubber/Ambient Span	75
Figure 3-29:	Zero/Span Calibration Procedure	85
Figure 4-1:	Front Panel Display.....	91
Figure 4-2:	Viewing T300/T300M Test Functions	93
Figure 4-3:	Viewing and Clearing T300/T300M WARNING Messages	96
Figure 5-1:	Analog Output Connector Pin Out	101
Figure 5-2:	COMM– Machine ID	115
Figure 5-3:	Accessing the Analog I/O Configuration Submenus.....	123
Figure 5-4:	Setup for Checking / Calibrating DCV Analog Output Signal Levels.....	130
Figure 5-5:	Setup for Checking / Calibration Current Output Signal Levels Using an Ammeter.....	132
Figure 5-6:	Alternative Setup Using 250Ω Resistor for Checking Current Output Signal Levels	134
Figure 5-7:	DIAG – Analog Inputs (Option) Configuration Menu	138
Figure 6-1:	COM1[2] – Communication Modes Setup	147
Figure 6-2:	COMM Port Baud Rate	148
Figure 6-3:	COMM – COM1 Test Port.....	149
Figure 6-4:	COMM – LAN / Internet Manual Configuration	152
Figure 6-5 :	COMM – LAN / Internet Automatic Configuration (DHCP)	153
Figure 7-1:	Default DAS Channel Setup	173
Figure 7-2:	APICOM Remote Control Program Interface.....	188
Figure 7-3:	APICOM User Interface for Configuring the DAS.....	189
Figure 7-4:	DAS Configuration Through a Terminal Emulation Program.....	190
Figure 9-1:	Pneumatic Connections – Basic Configuration – Using Bottled Span Gas.....	202
Figure 9-2:	Pneumatic Connections – Basic Configuration – Using Gas Dilution Calibrator.....	202
Figure 9-3:	Pneumatic Connections – Option 50A: Ambient Zero/Ambient Span Calibration Valves	207
Figure 9-4:	Pneumatic Connections – Option 50B: Ambient Zero/Pressurized Span Calibration Valves	208
Figure 9-5:	Pneumatic Connections – Option 50H: Zero/Span Calibration Valves	208

Figure 9-6:	Pneumatic Connections – Option 50E: Zero/Span Calibration Valves.....	209
Figure 9-7:	O ₂ Sensor Calibration Set Up.....	225
Figure 9-8:	CO ₂ Sensor Calibration Set Up.....	229
Figure 11-1:	Sample Particulate Filter Assembly.....	252
Figure 12-1:	Viewing and Clearing Warning Messages.....	258
Figure 12-2:	Example of Signal I/O Function.....	264
Figure 12-3:	CPU Status Indicator.....	265
Figure 12-4:	Sync/Demod Board Status LED Locations.....	266
Figure 12-5:	Relay Board Status LEDs.....	267
Figure 12-6:	T300/T300M – Basic Internal Gas Flow.....	270
Figure 12-7:	Internal Pneumatic Flow OPT 50A – Zero/Span Valves (OPT 50A & 50B).....	270
Figure 12-8:	Internal Pneumatic Flow OPT 50B – Zero/Span/Shutoff Valves.....	271
Figure 12-9:	Internal Pneumatic Flow OPT 50H – Zero/Span Valves with Internal Zero Air Scrubber.....	271
Figure 12-10:	Internal Pneumatic Flow OPT 50E – Zero/Span/Shutoff w/ Internal Zero Air Scrubber.....	272
Figure 12-11:	T300/T300M – Internal Pneumatics with O ₂ Sensor Option 65A.....	272
Figure 12-12:	T300/T300M – Internal Pneumatics with CO ₂ Sensor Option 67A.....	273
Figure 12-13:	Location of Diagnostic LEDs on CO ₂ Sensor PCA.....	290
Figure 12-14:	Critical Flow Restrictor Assembly/Disassembly.....	291
Figure 12-15:	Opening the GFC Wheel Housing.....	292
Figure 12-16:	Removing the Opto-Pickup Assembly.....	293
Figure 12-17:	Removing the GFC Wheel Housing.....	293
Figure 12-18:	Removing the GFC Wheel.....	294
Figure 12-19:	Location of Sync/Demod Housing Mounting Screws.....	295
Figure 12-20:	Location of Sync/Demod Gain Potentiometer.....	295
Figure 13-1:	Measurement Fundamentals.....	301
Figure 13-2:	GFC Wheel.....	301
Figure 13-3:	Measurement Fundamentals with GFC Wheel.....	302
Figure 13-4:	Affect of CO in the Sample on CO MEAS & CO REF.....	303
Figure 13-5:	Effects of Interfering Gas on CO MEAS & CO REF.....	304
Figure 13-6:	Chopped IR Signal.....	304
Figure 13-7:	Internal Pneumatic Flow – Basic Configuration.....	306
Figure 13-8:	Flow Control Assembly & Critical Flow Orifice.....	307
Figure 13-9:	Electronic Block Diagram.....	310
Figure 13-10:	CPU Board.....	311
Figure 13-11:	GFC Light Mask.....	313
Figure 13-12:	Segment Sensor and M/R Sensor Output.....	314
Figure 13-13:	T300/T300M Sync/Demod Block Diagram.....	315
Figure 13-14:	Sample & Hold Timing.....	316
Figure 13-15:	Location of relay board Status LEDs.....	319
Figure 13-16:	Power Distribution Block Diagram.....	323
Figure 13-17:	Front Panel and Display Interface Block Diagram.....	324
Figure 13-18:	Basic Software Operation.....	325
Figure 14-1:	Triboelectric Charging.....	327
Figure 14-2:	Basic anti-ESD Workbench.....	330

LIST OF TABLES

Table 1-1:	Analyzer Options.....	27
Table 2-1:	T300/T300M Basic Unit Specifications	31
Table 2-2:	O ₂ Sensor Option Specifications	32
Table 2-3:	CO ₂ Sensor Option Specifications.....	32
Table 3-1:	Ventilation Clearance.....	36
Table 3-2:	Display Screen and Touch Control Description	39
Table 3-3:	Rear Panel Description	42
Table 3-4:	Analog Input Pin Assignments.....	47
Table 3-5:	Analog Output Pin-Outs	48
Table 3-6:	Status Output Signals	51
Table 3-7:	Control Input Signals.....	52
Table 3-8:	Zero/Span Valve Operating States for Option 50A.....	67
Table 3-9:	Zero/Span Valve Operating States for Option 50B.....	70
Table 3-10:	Zero/Span Valve Operating States for Option 51E.....	72
Table 3-11:	Zero/Span Valve Operating States for Option 50H	75
Table 3-12:	NIST-SRM's Available for Traceability of CO Calibration Gases.....	76
Table 3-13:	Possible Warning Messages at Start-Up	78
Table 3-14:	Possible Startup Warning Messages – T300 Analyzers with Options.....	79
Table 4-1:	Analyzer Operating Modes	92
Table 4-2:	Test Functions Defined	94
Table 4-3:	List of Warning Messages.....	95
Table 4-4:	Primary Setup Mode Features and Functions	97
Table 4-5:	Secondary Setup Mode (SETUP>MORE) Features and Functions.....	98
Table 5-1:	T300 Family Physical Range by Model	101
Table 5-2:	Password Levels.....	111
Table 5-3:	Variable Names (VARs)	116
Table 5-4:	Diagnostic Mode (DIAG) Functions	118
Table 5-5:	DIAG - Analog I/O Functions	122
Table 5-6:	Analog Output Voltage Ranges	124
Table 5-7:	Voltage Tolerances for the TEST CHANNEL Calibration.....	130
Table 5-8:	Current Loop Output Check.....	134
Table 5-9:	Test Channels Functions available on the T300/T300M's Analog Output	140
Table 5-10:	CO Concentration Alarm Default Settings	142
Table 6-1:	COMM Port Communication Modes	146
Table 6-2:	Ethernet Status Indicators.....	150
Table 6-3:	LAN/Internet Default Configuration Properties	151
Table 6-4:	RS-232 Communication Parameters for Hessen Protocol	159
Table 6-5:	Teledyne ML Hessen Protocol Response Modes	163
Table 6-6:	Default Hessen Status Flag Assignments	167
Table 7-1:	Front Panel LED Status Indicators for DAS.....	169
Table 7-2:	DAS Data Channel Properties	171
Table 7-3:	DAS Data Parameter Functions	178
Table 8-1:	Interactive Mode Software Commands.....	192
Table 8-2:	Teledyne ML Serial I/O Command Types.....	193
Table 9-1:	NIST-SRMs Available for Traceability of CO Calibration Gases	200
Table 9-2:	AUTOCAL Modes	214
Table 9-3:	AutoCal Attribute Setup Parameters.....	215
Table 9-4:	Example AutoCal Sequence.....	216
Table 9-5:	Calibration Data Quality Evaluation	220
Table 10-1:	Matrix for Calibration Equipment & Supplies	235
Table 10-2:	Activity Matrix for Quality Assurance Checks	236
Table 10-3:	Definition of Level 1 and Level 2 Zero and Span Checks.....	237
Table 11-1:	T300/T300M Maintenance Schedule.....	249
Table 11-2:	T300/T300M Test Function Record.....	250

Table 11-3:	Predictive uses for Test Functions.....	251
Table 12-1:	Warning Messages - Indicated Failures	259
Table 12-2:	Test Functions - Indicated Failures.....	261
Table 12-3:	Sync/Demod Board Status Failure Indications	266
Table 12-4:	I ² C Status LED Failure Indications.....	267
Table 12-5:	Relay Board Status LED Failure Indications.....	268
Table 12-6:	DC Power Test Point and Wiring Color Codes	281
Table 12-7:	DC Power Supply Acceptable Levels	281
Table 12-8:	Relay Board Control Devices.....	282
Table 12-9:	Opto Pickup Board Nominal Output Frequencies.....	284
Table 12-10:	Analog Output Test Function - Nominal Values Voltage Outputs	286
Table 12-11:	Analog Output Test Function - Nominal Values Voltage Outputs	287
Table 12-12:	Status Outputs Check	288
Table 13-1:	Absorption Path Lengths for T300 and T300M.....	300
Table 13-2:	Sync DEMOD Sample and Hold Circuits.....	316
Table 13-3:	Sync/Demod Status LED Activity.....	316
Table 13-4:	Relay Board Status LEDs	319
Table 14-1:	Static Generation Voltages for Typical Activities	328
Table 14-2:	Sensitivity of Electronic Devices to Damage by ESD	328

This page intentionally left blank.

PART I
GENERAL INFORMATION

1. INTRODUCTION, FEATURES AND OPTIONS

This section provides an overview of the Model T300 or T300M Analyzer, its features and its options, followed by a description of how this user manual is arranged.

1.1. T300 FAMILY OVERVIEW

The family includes the T300 and the T300M Gas Filter Correlation Carbon Monoxide Analyzer. The T300 family of analyzers is a microprocessor-controlled analyzer that determines the concentration of carbon monoxide (CO) in a sample gas drawn through the instrument. It uses a method based on the Beer-Lambert law, an empirical relationship that relates the absorption of light to the properties of the material through which the light is traveling over a defined distance. In this case the light is infrared radiation (IR) traveling through a sample chamber filled with gas bearing a varying concentration of CO.

The T300/T300M uses Gas Filter Correlation (GFC) to overcome the interfering effects of various other gases (such as water vapor) that also absorb IR. The analyzer passes the IR beam through a spinning wheel made up of two separate chambers: one containing a high concentration of CO known as the *reference*, and the other containing a neutral gas known as the *measure*. The concentration of CO in the sample chamber is computed by taking the ratio of the instantaneous measure and reference values and then compensating the ratio for sample temperature and pressure.

The T300/T300M Analyzer's multi-tasking software gives the ability to track and report a large number of operational parameters in real time. These readings are compared to diagnostic limits kept in the analyzers memory and should any fall outside of those limits the analyzer issues automatic warnings.

Built-in data acquisition capability, using the analyzer's internal memory, allows the logging of multiple parameters including averaged or instantaneous concentration values, calibration data, and operating parameters such as pressure and flow rate. Stored data are easily retrieved through the serial port or Ethernet port via our APICOM software or from the front panel, allowing operators to perform predictive diagnostics and enhanced data analysis by tracking parameter trends. Multiple averaging periods of one minute to 365 days are available for over a period of one year.

1.2. FEATURES

Some of the common features of your T300 family of analyzers include:

- LCD color graphics with touch screen interface
- Microprocessor controlled for versatility
- Multi-tasking software allows viewing of test variables during operation
- Continuous self checking with alarms
- Bi-directional USB, RS-232, and 10/100Base-T Ethernet ports for remote operation (optional RS-485)
- Front panel USB ports for peripheral devices and software downloads
- Digital status outputs indicate instrument operating condition
- Adaptive signal filtering optimizes response time
- Gas Filter Correlation (GFC) Wheel for CO specific measurement
- GFC Wheel guaranteed against leaks for 5 years
- Temperature and pressure compensation
- Comprehensive internal data logging with programmable averaging periods
- Remote operation when used with Teledyne ML APICOM software

T300 FEATURES:

- Ranges, 0-1 ppm to 0-1000 ppm, user selectable
- 14 meter path length for sensitivity

T300M FEATURES:

- Ranges, 0-1 ppm; Max: 0-5000 ppm, user selectable
- 2.5 meter path length for dynamic range

1.3. T300/T300M DOCUMENTATION

In addition to this operation manual (part number 06807), two other manuals are available for download from Teledyne ML's website at <http://www.teledyne-ml.com/manuals/>, to support the operation of this instrument:.


- APICOM software manual, part number 03945
- DAS Manual, part number 02837

1.4. OPTIONS

The options available for your analyzer are presented in Table 1-1 with name, option number, a description and/or comments, and if applicable, cross-references to technical details in this manual, such as setup and calibration. To order these options or to learn more about them, please contact the Sales department of Teledyne Monitor Labs at:

TOLL-FREE: 800-846-6062
 TEL: +1 303-792-3300
 FAX: +1 303-799-4853
 E-MAIL: tml_support@teledyne.com
 WEB SITE: <http://www.teledyne-ml.com/>

Table 1-1: Analyzer Options

Option	Option Number	Description/Notes	Reference
Pumps		Pumps meet all typical AC power supply standards while exhibiting same pneumatic performance.	
	10A	External Pump 100V - 120V @ 60 Hz	N/A
	10B	External Pump 220V - 240V @ 50 Hz	N/A
	10C	External Pump 220V - 240V @ 60 Hz	N/A
	10D	External Pump 100V – 12V @ 50 Hz	N/A
	10E	External Pump 100V @ 60 Hz	N/A
	11	Pumpless, internal or external Pump Pack	N/A
	13	High Voltage Internal Pump 240V @ 50Hz	N/A
Rack Mount Kits		Options for mounting the analyzer in standard 19” racks	
	20A	Rack mount brackets with 26 in. chassis slides	N/A
	20B	Rack mount brackets with 24 in. chassis slides	N/A
	21	Rack mount brackets only (compatible with carrying strap, Option 29)	N/A
	23	Rack mount for external pump pack (no slides)	N/A
Carrying Strap/Handle		Side-mounted strap for hand-carrying analyzer	
	29	Extends from “flat” position to accommodate hand for carrying. Recesses to 9mm (3/8”) dimension for storage. Can be used with rack mount brackets, Option 21. Cannot be used with rack mount slides.	N/A
		 <p>CAUTION - GENERAL SAFETY HAZARD A fully loaded T300 with valve options weighs about 18 kg or 40 lbs. (T300M weighs 22.7 kg or 50 lbs). To avoid personal injury we recommend that two persons lift and carry the analyzer. Disconnect all cables and tubing from the analyzer before moving it.</p>	
Analog Inputs		Used for connecting external voltage signals from other instrumentation (such as meteorological instruments).	
	64	Also can be used for logging these signals in the analyzer’s internal DAS	Sections 3.3.1.2, 5.9.3.11, and 7
Current Loop Analog		Adds isolated, voltage-to-current conversion circuitry to the analyzer’s analog	

Option	Option Number	Description/Notes	Reference
Outputs		outputs.	
	41	Can be configured for any output range between 0 and 20 mA. May be ordered separately for any of the analog outputs. Can be installed at the factory or retrofitted in the field.	Sections 3.3.1.3, 3.3.1.4, 5.9.1, 5.9.2 and 5.9.3.7
Parts Kits		Spare parts and expendables	
	42A	Expendables Kit includes a recommended set of expendables for one year of operation of this instrument including replacement sample particulate filters.	Appendix B
	45	Spare Parts Kit includes spares parts for one unit.	Appendix B
Calibration Valves		Used to control the flow of calibration gases generated from external sources, rather than manually switching the rear panel pneumatic connections.	
	50A	Ambient Zero and Ambient Span.	Sections 3.3.2.3 and 3.3.2.4
	50B	Ambient Zero and Pressurized Span	Sections 3.3.2.5 and 3.3.2.6
	50E	Zero Scrubber and Pressurized Span	Sections 3.3.2.7 and 3.3.2.8
	50H	Zero Scrubber and Ambient Span	Sections 3.3.2.9 and 3.3.2.10
Communication Cables		For remote serial, network and Internet communication with the analyzer.	
		Type	Description
	60A	RS-232	Shielded, straight-through DB-9F to DB-25M cable, about 1.8 m long. Used to interface with older computers or code activated switches with DB-25 serial connectors.
	60B	RS-232	Shielded, straight-through DB-9F to DB-9F cable of about 1.8 m length.
	60C	Ethernet	Patch cable, 2 meters long, used for Internet and LAN communications.
	60D	USB	Cable for direct connection between instrument (rear panel USB port) and personal computer.
Concentration Alarm Relay		Issues warning when gas concentration exceeds limits set by user.	
	61	Four (4) “dry contact” relays on the rear panel of the instrument. This relay option is different from and in addition to the “Contact Closures” that come standard on all TML instruments.	Section 3.3.1.7
RS-232 Multidrop		Enables communications between host computer and up to eight analyzers.	
	62	Multidrop card seated on the analyzer’s CPU card. Each instrument in the multidrop network requires this card and a communications cable (Option 60B).	Sections 3.3.1.8 and 5.7.1
Second Gas Sensors		Choice of one additional gas sensor.	
	65A	Oxygen (O ₂) Sensor	• Sections 3.3.1.3 and 9.7.1
	67A	Carbon Dioxide (CO ₂) Sensor	• Sections 3.3.1.3 and 9.7.2

Option	Option Number	Description/Notes	Reference
Special Features		Built in features, software activated	
	N/A	<p>Maintenance Mode Switch, located inside the instrument, places the analyzer in maintenance mode where it can continue sampling, yet ignore calibration, diagnostic, and reset instrument commands. This feature is of particular use for instruments connected to Multidrop or Hessen protocol networks.</p> <p>Call Customer Service for activation.</p>	N/A
	N/A	<p>Second Language Switch activates an alternate set of display messages in a language other than the instrument's default language.</p> <p>Call Customer Service for a specially programmed Disk on Module containing the second language.</p>	N/A
	N/A	<p>Dilution Ratio Option allows the user to compensate for diluted sample gas, such as in continuous emission monitoring (CEM) where the quality of gas in a smoke stack is being tested and the sampling method used to remove the gas from the stack dilutes the gas.</p> <p>Call Customer Service for activation.</p>	Sections 3.4.4.2 and 5.4.5

This page intentionally left blank.

2. SPECIFICATIONS AND APPROVALS

This section presents specifications for the T300/T300M analyzer and for its second gas sensor options, EPA equivalency designation, and compliance statements.

2.1. SPECIFICATIONS

Table 2-1: T300/T300M Basic Unit Specifications

Parameter	Specification
Ranges	Min: 0-1 ppm Full scale Max: 0-1,000 ppm Full scale (selectable, dual ranges and auto ranging supported)
Measurement Units	T300: ppb, ppm, $\mu\text{g}/\text{m}^3$, mg/m^3 (user selectable) T300M: ppm, mg/m^3 (user selectable)
Zero Noise ¹	T300: < 0.02 ppm RMS T300M: \leq 0.1 ppm RMS
Span Noise ¹	T300:<0.5% of rdg RMS over 5ppm ³ T300M:>0.5% of rdg RMS over 20ppm
Lower Detectable Limit ¹	T300: < 0.04 ppm T300M: 0.2 ppm
Zero Drift (24 hours) ²	T300: < 0.1 ppm T300M: <0.5 ppm
Span Drift (24 hours) ²	T300: < 0.5% of reading T300M: 0.5ppm
Lag Time ¹	10 seconds
Rise/Fall Time ¹	<60 seconds to 95%
Linearity	T300: 1% of full scale ⁵ ; T300M: 0 - 3000 ppm: 1% full scale; 3000 - 5000 ppm: 2% full scale
Precision	T300: The greater of 0.5% of reading or 0.2ppm; T300M: The greater of 1.0% of reading or 1ppm
Sample Flow Rate	800 cm^3/min . \pm 10% (O ₂ Sensor option adds 120 cm^3/min to total flow when installed)
AC Power	100V-120V, 220V-240V, 50/60 Hz
Analog Output Ranges	All Outputs: 10V, 5V, 1V, 0.1V (selectable) Three outputs convertible to 4-20 mA isolated current loop. All Ranges with 5% under/over-range
Analog Output Resolution	1 part in 4096 of selected full-scale voltage
Recorder Offset	\pm 10%
Standard I/O	1 Ethernet: 10/100Base-T 2 RS-232 (300 – 115,200 baud) 2 USB device ports 8 opto-isolated digital status outputs 6 opto-isolated digital control inputs (2 defined, 4 spare) 4 user configurable analog outputs

Parameter	Specification
Optional I/O	1 USB com port 1 RS485 8 analog inputs (0-10V, 12-bit) 4 digital alarm outputs (2 opto-isolated and 2 dry contact) Multidrop RS232 3 4-20mA current outputs
Temperature Range	5 - 40°C operating, 10 - 40°C EPA Equivalency (T300 only)
Humidity Range	0-95% RH, Non-Condensing
Temp Coefficient	< 0.05 % per °C (minimum 50 ppb/°C)
Voltage Coefficient	< 0.05 % per V
Dimensions (HxWxD)	7" x 17" x 23.5" (178 mm x 432 mm x 597 mm)
Weight	T300: 40 lbs (18.1 kg); T300M: 38.4 lbs (17.2)
Environmental Conditions	Installation Category (Over voltage Category) II Pollution Degree 2
¹ As defined by the USEPA ² At constant temperature and pressure	

Table 2-2: O₂ Sensor Option Specifications

Parameter	Description
Ranges	0-1% to 0-100% user selectable. Dual ranges and auto-ranging supported.
Zero Noise ¹	<0.02% O ₂
Lower Detectable Limit ²	<0.04% O ₂
Zero Drift (24 hours) ³	<± 0.02% O ₂
Zero Drift (7 days)	<± 0.05% O ₂
Span Noise ¹	<± 0.05% O ₂
Span Drift (7 days)	<± 0.1% O ₂
Accuracy	(intrinsic error) <± 0.1% O ₂
Linearity	<± 0.1 % O ₂
Temp Coefficient	<± 0.05% O ₂ /°C,
Rise and Fall Time	<60 seconds to 95%
¹ As defined by the USEPA ² Defined as twice the zero noise level by the USEPA ³ Note: zero drift is typically <± 0.1% O ₂ during the first 24 hrs of operation	

Table 2-3: CO₂ Sensor Option Specifications

Parameter	Description
Ranges	0-1% to 0-20% user selectable. Dual ranges and auto-ranging supported.
Zero Noise ¹	<0.02% CO ₂
Lower Detectable Limit ²	<0.04% CO ₂
Zero Drift (24 hours)	<± 0.02% CO ₂
Zero Drift (7 days)	<± 0.05% CO ₂
Span Noise ¹	<± 0.1% CO ₂
Span Drift (7 days)	<± 0.1% CO ₂

Accuracy	<± (0.02% CO ₂ + 2% of reading)
Linearity	<± 0.1% CO ₂
Temperature Coefficient	<± 0.01% CO ₂ /°C
Rise and Fall Time	<60 seconds to 95%

¹ As defined by the USEPA

² Defined as twice the zero noise level by the USEPA

2.2. EPA EQUIVALENCY DESIGNATION

Note

T300M: EPA equivalency does not apply to this model.

Teledyne ML's Model T300, Carbon Monoxide Analyzer, is designated as Reference Method Number RFCA-1093-093 as defined in 40 CFR Part 53, when operated under the following conditions:

- Range: Any range from 10 ppm to 50 ppm
- Ambient temperature range of 10 to 40°C
- Sample filter: Equipped with 5-micron PTFE filter element in the internal filter assembly
- Software settings:

Dilution factor	1.0
AutoCal	ON or OFF
Dynamic Zero	ON or OFF
Dynamic Span	OFF
Dual Range	ON or OFF
Auto Range	ON or OFF
Temp/Pres Compensation	ON

Under the designation, the analyzer may be operated with or without the following options:

- Rack mount with slides
- Rack mount without slides, ears only
- Zero/span valve options
 - Option 50A – Sample/Cal valves, or
 - Option 50B – Sample/Cal valves with span shutoff & flow control
- Internal zero/span (IZS) option with either:
 - Option 51A – Sample/Cal valves, or
 - Option 51C – Sample/Cal valves with span shutoff & flow control
- 4-20mA, isolated output

2.3. APPROVALS AND CERTIFICATIONS

The Teledyne ML Model T300/T300M analyzer was tested and certified for Safety and Electromagnetic Compatibility (EMC). This section presents the compliance statements for those requirements and directives.

2.3.1. SAFETY

IEC 61010-1:2001, Safety requirements for electrical equipment for measurement, control, and laboratory use.

CE: 2006/95/EC, Low-Voltage Directive

North American:

cNEMKO (Canada): CAN/CSA-C22.2 No. 61010-1-04

NEMKO-CCL (US): UL No. 61010-1 (2nd Edition)

2.3.2. EMC

EN 61326-1 (IEC 61326-1), Class A Emissions/Industrial Immunity

EN 55011 (CISPR 11), Group 1, Class A Emissions

FCC 47 CFR Part 15B, Class A Emissions

CE: 2004/108/EC, Electromagnetic Compatibility Directive

2.3.3. OTHER TYPE CERTIFICATIONS

MCERTS: Sira MC 050069/04

For additional certifications, please contact Customer Service.

3. GETTING STARTED

This section first introduces you to the instrument then presents the procedures for getting started, i.e., unpacking and inspection, making electrical and pneumatic connections, and conducting an initial calibration check.

3.1. UNPACKING THE T300/T300M ANALYZER



**CAUTION
GENERAL SAFETY HAZARD**

To avoid personal injury, always use two persons to lift and carry the T300/T300M.

ATTENTION

COULD DAMAGE INSTRUMENT AND VOID WARRANTY

Printed Circuit Assemblies (PCAs) are sensitive to electro-static discharges too small to be felt by the human nervous system. Failure to use ESD protection when working with electronic assemblies will void the instrument warranty. See *A Primer on Electro-Static Discharge* in this manual for more information on preventing ESD damage.



CAUTION!

Do not operate this instrument until you've removed dust plugs from SAMPLE and EXHAUST ports on the rear panel!

Note

Teledyne ML recommends that you store shipping containers/materials for future use if/when the instrument should be returned to the factory for repair and/or calibration service. See Warranty section in this manual and shipping procedures on our Website at <http://www.teledyne-ml.com> under Customer Support > Return Authorization.

Verify that there is no apparent external shipping damage. If damage has occurred, please advise the shipper first, then Teledyne ML.

Included with your analyzer is a printed record (Final Test and Validation Data Sheet: PN 04307; PN 04311) of the final performance characterization performed on your instrument at the factory. This record is an important quality assurance and calibration record for this instrument. It should be placed in the quality records file for this instrument.

With no power to the unit, carefully remove the top cover of the analyzer and check for internal shipping damage by carrying out the following steps:

1. Carefully remove the top cover of the analyzer and check for internal shipping damage by:
 - Removing the setscrew located in the top, center of the Front panel;
 - Removing the two flat head, Phillips screws on the sides of the instrument (one per side towards the rear);
 - Sliding the cover backwards until it clears the analyzer's front bezel, and;
 - Lifting the cover straight up.
2. Inspect the interior of the instrument to make sure all circuit boards and other components are in good shape and properly seated.
3. Check the connectors of the various internal wiring harnesses and pneumatic hoses to make sure they are firmly and properly seated.
4. Verify that all of the optional hardware ordered with the unit has been installed. These are listed on the paperwork accompanying the analyzer.



WARNING - ELECTRICAL SHOCK HAZARD

Never disconnect PCAs, wiring harnesses or electronic subassemblies while instrument is under power.

3.1.1. VENTILATION CLEARANCE

Whether the analyzer is set up on a bench or installed into an instrument rack, be sure to leave sufficient ventilation clearance.

Table 3-1: Ventilation Clearance

AREA	MINIMUM REQUIRED CLEARANCE
Back of the instrument	4 in.
Sides of the instrument	1 in.
Above and below the instrument	1 in.

Various rack mount kits are available for this analyzer. See Table 1-1 of this manual for more information.

3.2. INSTRUMENT LAYOUT

Instrument layout includes front panel and display, rear panel connectors, and internal chassis layout.

3.2.1. FRONT PANEL

Figure 3-1 shows the analyzer's front panel layout, followed by a close-up of the display screen in Figure 3-2, which is described in Table 3-2. The two USB ports on the front panel are provided for the connection of peripheral devices:

- Plug-in mouse (not included) to be used as an alternative to the touchscreen interface
- Thumb drive (not included) to download updates to instruction software (contact TML Customer Service for information).

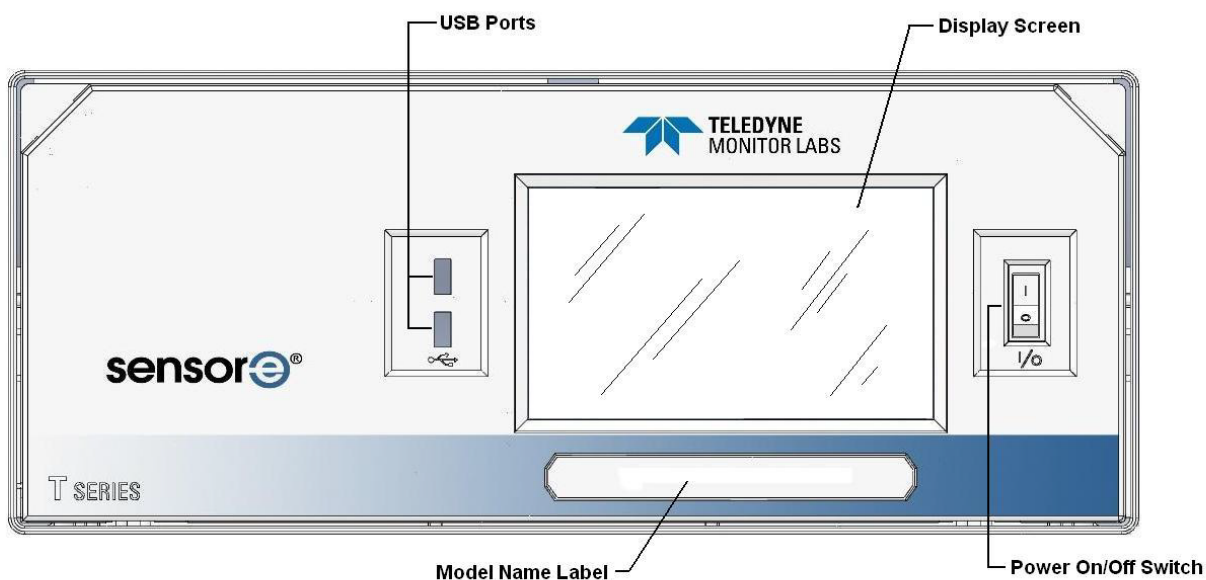


Figure 3-1: Front Panel Layout

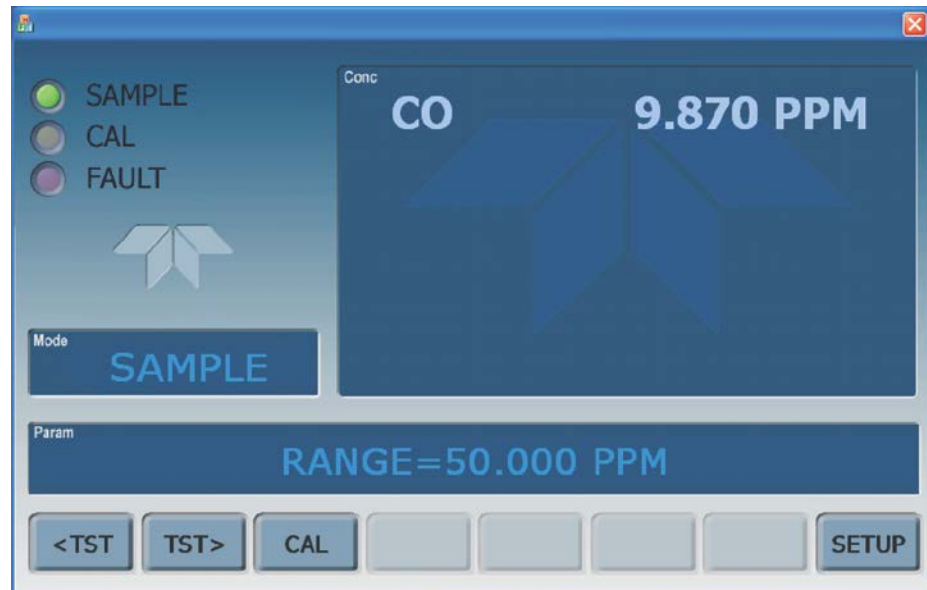


Figure 3-2: Display Screen and Touch Control

The front panel liquid crystal display screen includes touch control. Upon analyzer start-up the screen shows a splash screen and other initialization indications before the main display appears, similar to Figure 3-2 above (may or may not display a Fault alarm). The LEDs on the display screen indicate the Sample, Calibration and Fault states; also on the screen is the gas concentration field (Conc), which displays real-time readouts for the primary gas and for the secondary gas if installed. The display screen also shows what mode the analyzer is currently in, as well as messages and data (Param). Along the bottom of the screen is a row of touch control buttons; only those that are currently applicable will have a label. Table 3-2 provides detailed information for each component of the screen.

ATTENTION

COULD DAMAGE INSTRUMENT AND VOID WARRANTY

Do not use hard-surfaced instruments such as pens to touch the control buttons.

Table 3-2: Display Screen and Touch Control Description

Field	Description/Function			
Status	LEDs indicating the states of Sample, Calibration and Fault, as follows:			
	Name	Color	State	Definition
	SAMPLE	Green	Off On Blinking	Unit is not operating in Sample Mode, DAS is disabled. Sample Mode active; Front Panel Display being updated; DAS data being stored. Unit is operating in Sample Mode, front panel display being updated, DAS hold-off mode is ON, DAS disabled
	CAL	Yellow	Off On Blinking	Auto Cal disabled Auto Cal enabled Unit is in calibration mode
	FAULT	Red	Off Blinking	No warnings exist Warnings exist
Conc	Displays the actual concentration of the sample gas currently being measured by the analyzer in the currently selected units of measure			
Mode	Displays the name of the analyzer's current operating mode			
Param	Displays a variety of informational messages such as warning messages, operational data, test function values and response messages during interactive tasks.			
Control Buttons	Displays dynamic, context sensitive labels on each button, which is blank when inactive until applicable.			

Figure 3-3 shows how the front panel display is mapped to the menu charts that are illustrated throughout this manual. The Mode, Param (parameters), and Conc (gas concentration) fields in the display screen are represented across the top row of each menu chart. The eight touch control buttons along the bottom of the display screen are represented in the bottom row of each menu chart.

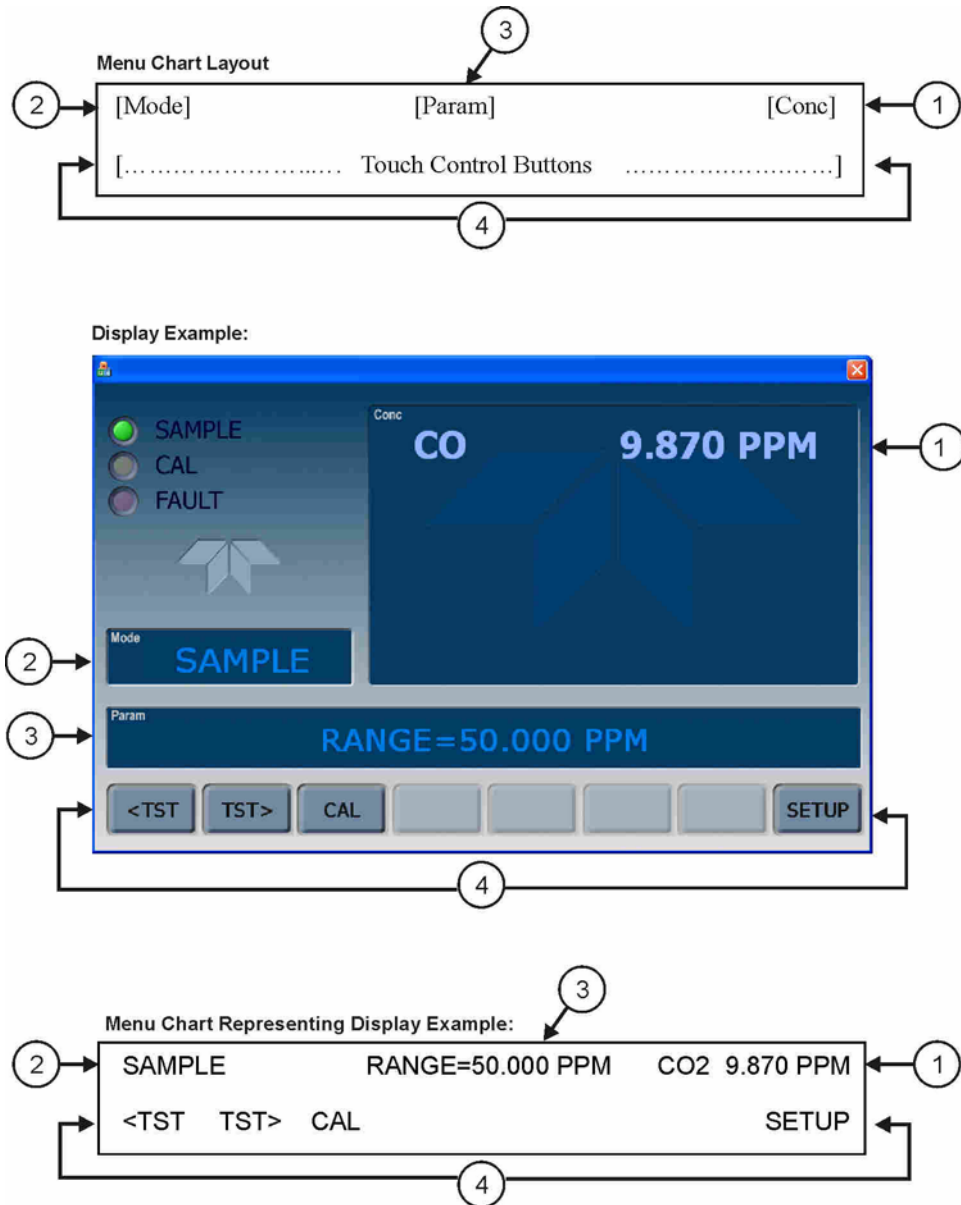


Figure 3-3: Display/Touch Control Screen Mapped to Menu Charts

Note

The menu charts in this manual contain condensed representations of the analyzer’s display during the various operations being described. These menu charts are not intended to be exact visual representations of the actual display.

3.2.2. REAR PANEL

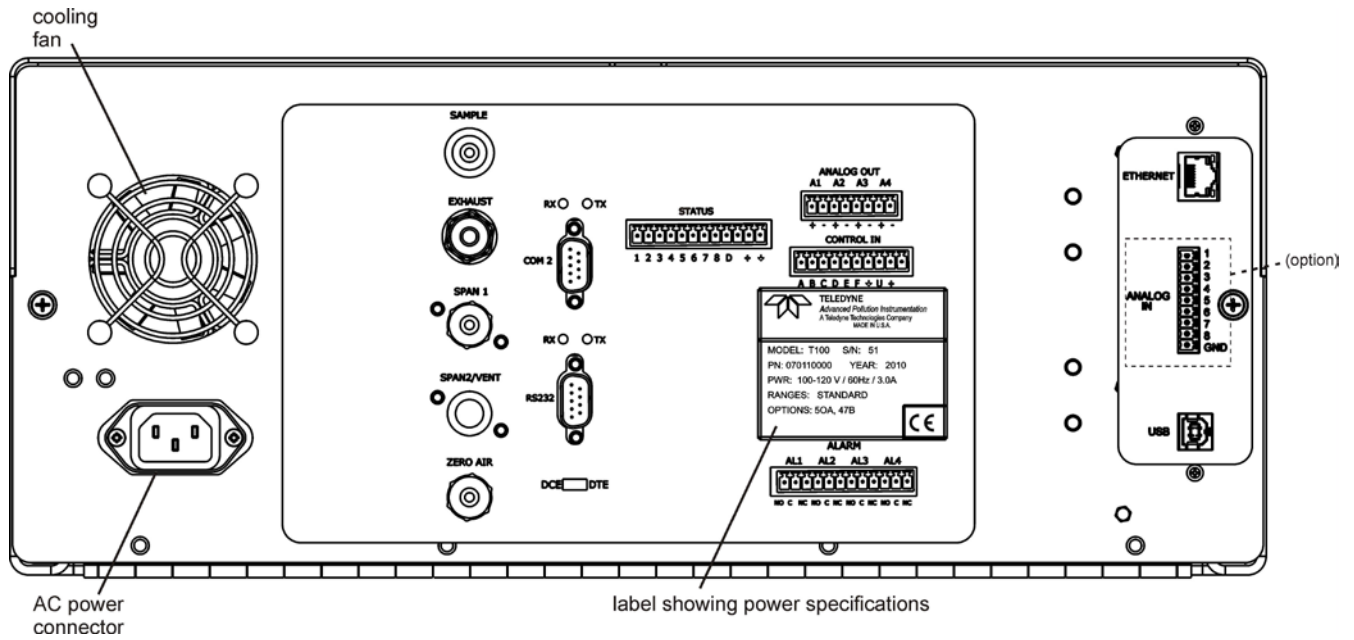



Figure 3-4: Rear Panel Layout

Table 3-3 provides a description of each component on the rear panel.

Table 3-3: Rear Panel Description

Component	Function
cooling fan	Pulls ambient air into chassis through side vents and exhausts through rear.
 AC power connector	Connector for three-prong cord to apply AC power to the analyzer. CAUTION! The cord's power specifications (specs) MUST comply with the power specs on the analyzer's rear panel Model number label
Model/specs label	Identifies the analyzer model number and provides voltage and frequency specs
SAMPLE	Connect a gas line from the source of sample gas here. Calibration gases are also inlet here on units without zero/span/shutoff valve options installed.
EXHAUST	Connect an exhaust gas line of not more than 10 meters long here that leads outside the shelter or immediate area surrounding the instrument.
SPAN 1	On units with zero/span/shutoff valve options installed, connect a gas line to the source of calibrated span gas here.
SPAN2/VENT	Used as a second cal gas input line when instrument is configured with zero/span valves and a dual gas option, or as a cal gas vent line when instrument is configured with a pressurized span option (<i>Call factory for details</i>).
ZERO AIR	Internal Zero Air: On units with zero/span/shutoff valve options installed but no internal zero air scrubber attach a gas line to the source of zero air here.
RX TX	LEDs indicate receive (RX) and transmit (TX) activity on the when blinking.
COM 2	Serial communications port for RS-232 or RS-485. (Sections 3.3.1.8, 5.7.3, 6).
RS-232	Serial communications port for RS-232 only. (Sections 3.3.1.8, 5.7, 6.3, 6.7.2.1)
DCE DTE	Switch to select either data terminal equipment or data communication equipment during RS-232 communication. (Section 6.1).
STATUS	For outputs to devices such as Programmable Logic Controllers (PLCs). (Section 3.3.1.5).
ANALOG OUT	For voltage or current loop outputs to a strip chart recorder and/or a data logger. (Sections 3.3.1.3 and 3.3.1.4).
CONTROL IN	For remotely activating the zero and span calibration modes. (Section 3.3.1.6).
ALARM	Option for concentration alarms and system warnings. (Section 3.3.1.7).
ETHERNET	Connector for network or Internet remote communication, using Ethernet cable (Section 3.3.1.8).
ANALOG IN	Option for external voltage signals from other instrumentation and for logging these signals (Section 3.3.1.2)
USB	Connector for direct connection to laptop computer, using USB cable. (Section 3.3.1.8).

3.2.3. T300/T300M ANALYZER LAYOUT

Figure 3-5 shows the T300 internal layout.

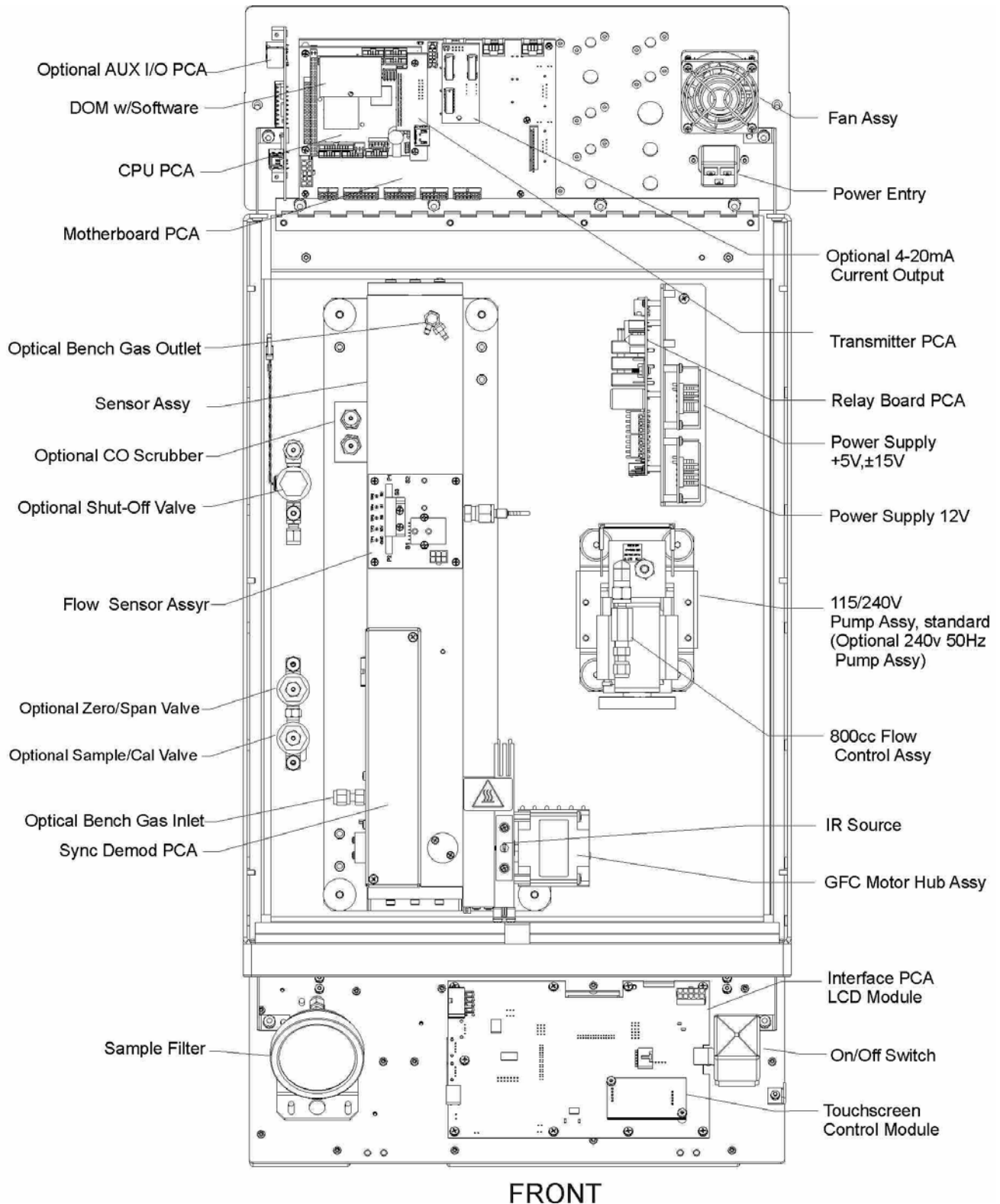
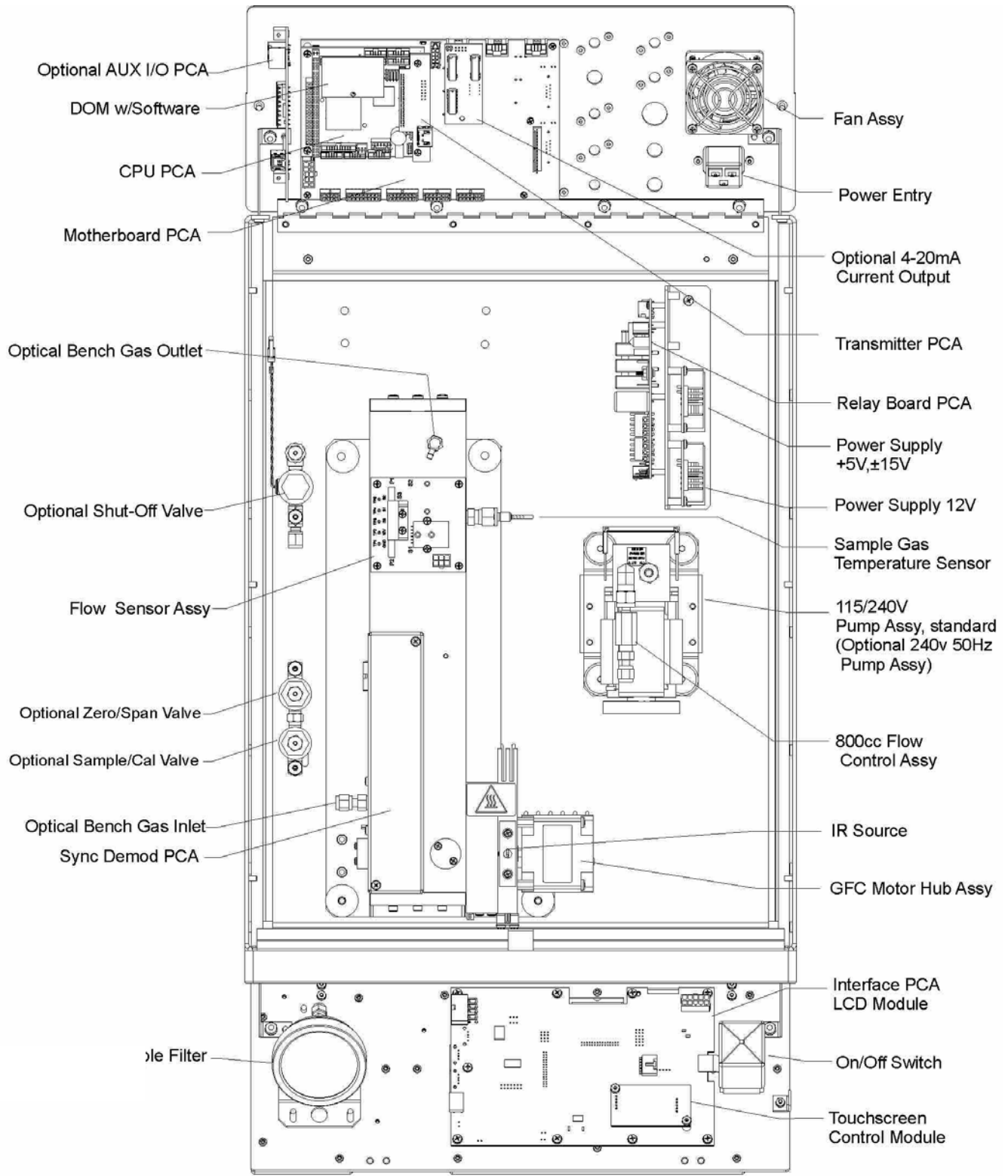


Figure 3-5: Internal Layout – T300

Figure 3-6 shows the T300M internal layout.



FRONT

Figure 3-6: Internal Layout – T300M

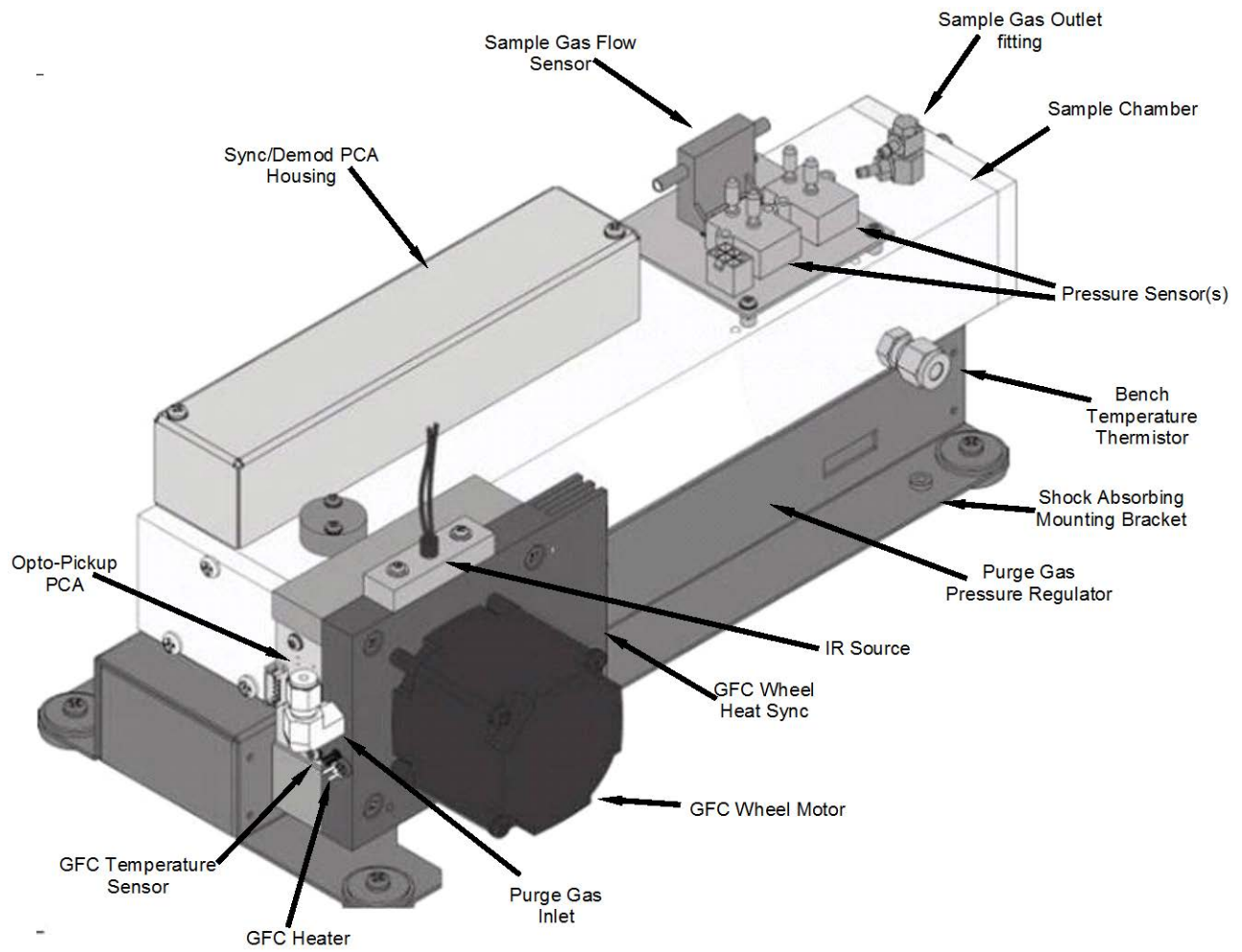


Figure 3-7: Optical Bench Layout (shorter bench, T300M, shown)

3.3. CONNECTIONS AND SETUP

This section presents the electrical (Section 3.3.1) and pneumatic (Section 3.3.2) connections for setup and preparing for instrument operation

3.3.1. ELECTRICAL CONNECTIONS

Note

To maintain compliance with EMC standards, it is required that the cable length be no greater than 3 meters for all I/O connections, which include Analog In, Analog Out, Status Out, Control In, Ethernet/LAN, USB, RS-232, and RS-485.

3.3.1.1. CONNECTING POWER

Attach the power cord to the analyzer and plug it into a power outlet capable of carrying at least 10 A current at your AC voltage and that it is equipped with a functioning earth ground.



WARNING
ELECTRICAL SHOCK HAZARD

High Voltages are present inside the analyzer's case.
Power connection must have functioning ground connection.
Do not defeat the ground wire on power plug.
Turn off analyzer power before disconnecting or connecting electrical subassemblies.
Do not operate with cover off.



CAUTION
GENERAL SAFETY HAZARD

The T300/T300M Analyzer can be configured for both 100-130 V and 210-240 V at either 47 Hz or 63 Hz.
To avoid damage to your analyzer, make sure that the AC power voltage matches the voltage indicated on the analyzer's model/specs label (See Figure 3-4) before plugging the T300/T300M into line power.

3.3.1.2. CONNECTING ANALOG INPUTS (OPTION)

The Analog In connector is used for connecting external voltage signals from other instrumentation (such as meteorological instruments) and for logging these signals in the analyzer's internal DAS. The input voltage range for each analog input is 0-10 VDC.

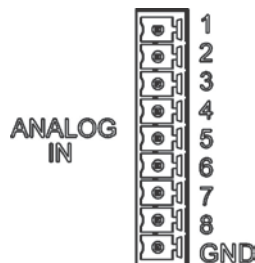


Figure 3-8: Analog In Connector

Pin assignments for the Analog In connector are presented in Table 3-4.

Table 3-4: Analog Input Pin Assignments

PIN	DESCRIPTION	DAS PARAMETER ¹
1	Analog input # 1	AIN 1
2	Analog input # 2	AIN 2
3	Analog input # 3	AIN 3
4	Analog input # 4	AIN 4
5	Analog input # 5	AIN 5
6	Analog input # 6	AIN 6
7	Analog input # 7	AIN 7
8	Analog input # 8	AIN 8
GND	Analog input Ground	N/A

¹ See Section 7 for details on setting up the DAS.

3.3.1.3. CONNECTING ANALOG OUTPUTS

The T300 is equipped with several analog output channels accessible through a connector on the back panel of the instrument. The standard configuration for these outputs is mVDC. An optional current loop output is available for each.

When the instrument is in its default configuration, channels **A1** and **A2** output a signal that is proportional to the CO concentration of the sample gas. Either can be used for connecting the analog output signal to a chart recorder or for interfacing with a datalogger.

Output **A3** is only used on the T300/T300M if the optional CO₂ or O₂ sensor is installed.

Channel **A4** is special. It can be set by the user (see Section 5.9.8.1) to output any one of the parameters accessible through the <TST TST> buttons of the units sample display.

To access these signals attach a strip chart recorder and/or data-logger to the appropriate analog output connections on the rear panel of the analyzer.

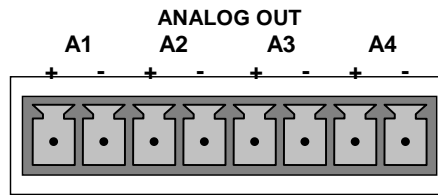


Figure 3-9: Analog Output Connector

Table 3-5: Analog Output Pin-Outs

PIN	ANALOG OUTPUT	VOLTAGE SIGNAL	CURRENT SIGNAL
1	A1	V Out	I Out +
2		Ground	I Out -
3	A2	V Out	I Out +
4		Ground	I Out -
5	A3 (Only used if CO ₂ or O ₂ Sensor is installed)	V Out	I Out +
6		Ground	I Out -
7	A4	V Out	I Out +
8		Ground	I Out -

3.3.1.4. CURRENT LOOP ANALOG OUTPUTS (OPTION 41) SETUP

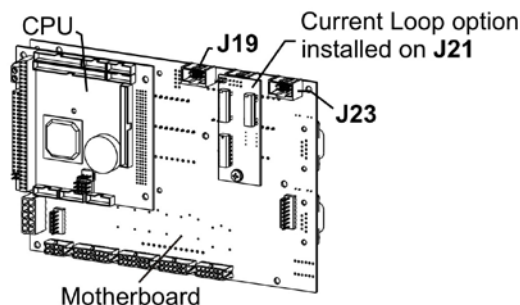
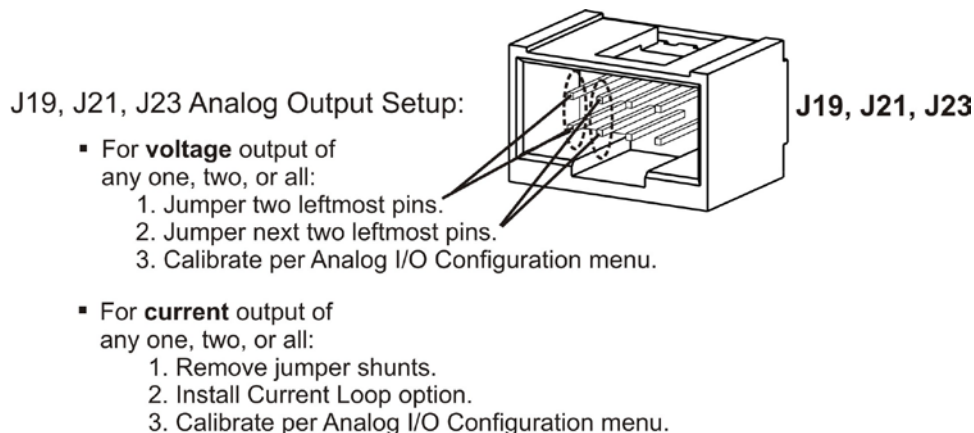
If your analyzer had this option installed at the factory, there are no further connections to be made. Otherwise, it can be installed as a retrofit for each of the analog outputs of the analyzer. This option converts the DC voltage analog output to a current signal with 0-20 mA output current. The outputs can be scaled to any set of limits within that 0-20 mA range. However, most current loop applications call for either 2-20 mA or 4-20 mA range.

Figure 3-10 provides installation instructions and illustrates a sample combination of one current output and two voltage outputs configuration. Following Figure 3-10 are instructions for converting current loop analog outputs to standard 0-to-5 VDC outputs. Information on calibrating or adjusting these outputs can be found in Section 5.9.3.7

CAUTION – AVOID INVALIDATING WARRANTY



Servicing or handling of circuit components requires electrostatic discharge protection, i.e. ESD grounding straps, mats and containers. Failure to use ESD protection when working with electronic assemblies will void the instrument warranty. Refer to Section 14 for more information on preventing ESD damage.



Example setup: install jumper shunts for voltage output on J19 and J23; remove jumper shunts and install Current Loop option for current output on J21.

Figure 3-10: Current Loop Option Installed on Motherboard

CONVERTING CURRENT LOOP ANALOG OUTPUTS TO STANDARD VOLTAGE OUTPUTS

To convert an output configured for current loop operation to the standard 0 to 5 VDC output operation:

1. Turn off power to the analyzer.
2. If a recording device was connected to the output being modified, disconnect it.
3. Remove the top cover.
 - Remove the screw located in the top, center of the front panel.
 - Remove the screws fastening the top cover to the unit (both sides).
 - Slide the cover back and lift straight up.
4. Remove the screw holding the current loop option to the motherboard.
5. Disconnect the current loop option PCA from the appropriate connector on the motherboard (see Figure 3-10).
6. Each connector, J19 and J23, requires two shunts. Place one shunt on the two leftmost pins and the second shunt on the two pins next to it (see Figure 3-10).
7. Reattach the top case to the analyzer.
 - The analyzer is now ready to have a voltage-sensing, recording device attached to that output.
8. Calibrate the analog output as described in Section 5.9.3.2.

3.3.1.5. CONNECTING THE STATUS OUTPUTS

The status outputs report analyzer conditions via optically isolated NPN transistors, which sink up to 50 mA of DC current. These outputs can be used interface with devices that accept logic-level digital inputs, such as Programmable Logic Controllers (PLCs). Each status bit is an open collector output that can withstand up to 40 VDC. All of the emitters of these transistors are tied together and available at D.

ATTENTION

COULD DAMAGE INSTRUMENT AND VOID WARRANTY

Most PLC's have internal provisions for limiting the current that the input will draw from an external device. When connecting to a unit that does not have this feature, an external dropping resistor must be used to limit the current through the transistor output to less than 50 mA. At 50 mA, the transistor will drop approximately 1.2V from its collector to emitter.

The status outputs are accessed via a 12-pin connector on the analyzer's rear panel labeled STATUS (see Figure 3-4). Pin-outs for this connector are:

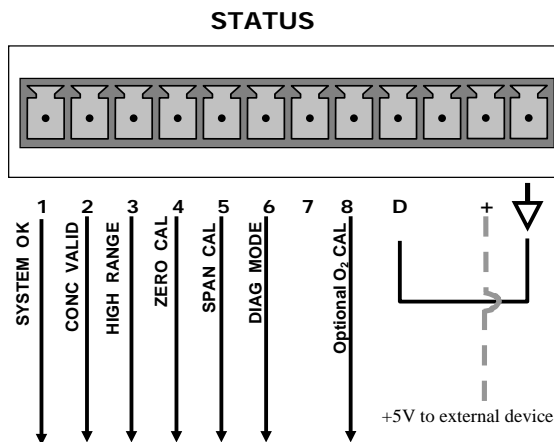



Figure 3-11: Status Output Connector

Table 3-6: Status Output Signals

REAR PANEL LABEL	STATUS DEFINITION	CONDITION
1	SYSTEM OK	ON if no faults are present.
2	CONC VALID	OFF any time the HOLD OFF feature is active, such as during calibration or when other faults exist possibly invalidating the current concentration measurement (example: sample flow rate is outside of acceptable limits). ON if concentration measurement is valid.
3	HIGH RANGE	ON if unit is in high range of either the DUAL or AUTO range modes.
4	ZERO CAL	ON whenever the instrument's ZERO point is being calibrated.
5	SPAN CAL	ON whenever the instrument's SPAN point is being calibrated.
6	DIAG MODE	ON whenever the instrument is in DIAGNOSTIC mode.
7	CO ₂ CAL	If this analyzer is equipped with an optional CO ₂ sensor, this Output is ON when that sensor is in calibration mode. Otherwise this output is unused.
8	O ₂ CAL	If this analyzer is equipped with an optional O ₂ sensor, this Output is ON when that sensor is in calibration mode. Otherwise this output is unused.
D	EMITTER BUS	The emitters of the transistors on pins 1-8 are bussed together.
	SPARE	
+	DC POWER	+ 5 VDC, 300 mA source maximum.
	Digital Ground	The ground level from the analyzer's internal DC power supplies.

3.3.1.6. CONNECTING THE CONTROL INPUTS

To remotely activate the zero and span calibration modes, several digital control inputs are provided through a 10-pin connector labeled **CONTROL IN** on the analyzer's rear panel.

There are two methods for energizing the control inputs. The internal +5V available from the pin labeled "+" is the most convenient method. However, if full isolation is required, an external 5 VDC power supply should be used.

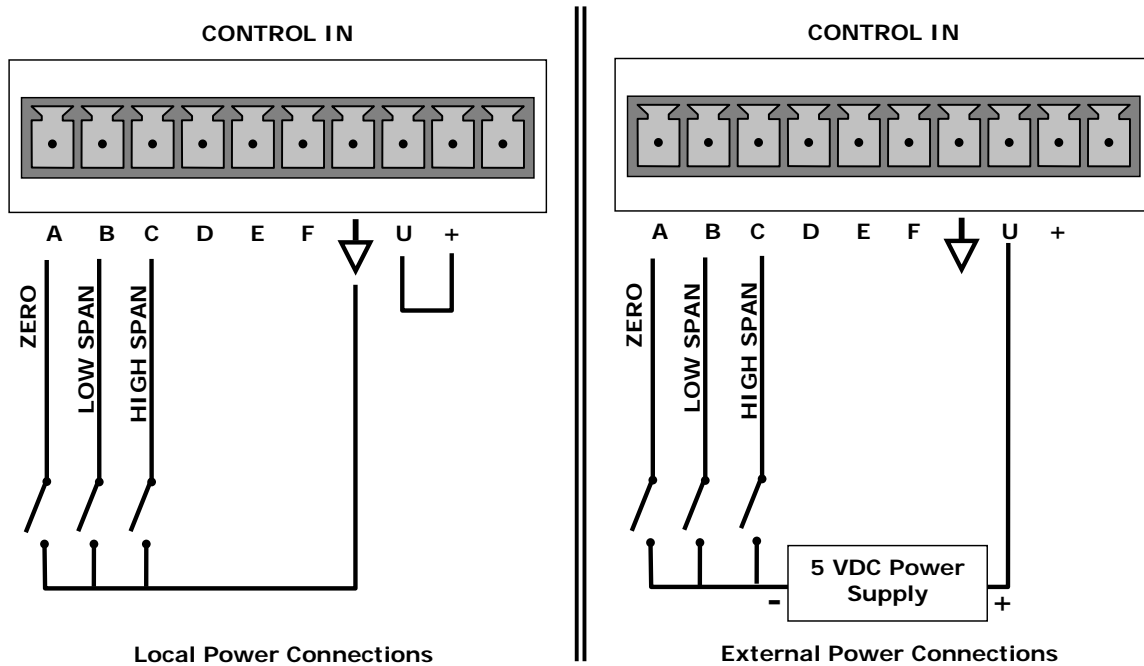



Figure 3-12: Control Input Connector

Table 3-7: Control Input Signals

INPUT #	STATUS DEFINITION	ON CONDITION
A	REMOTE ZERO CAL	The analyzer is placed in Zero Calibration mode. The mode field of the display will read ZERO CAL R.
B	REMOTE SPAN CAL	The analyzer is placed in span calibration mode as part of performing a low span (midpoint) calibration. The mode field of the display will read LO CAL R.
C	REMOTE CAL HIGH RANGE	The analyzer is forced into high range for zero or span calibrations. This only applies when the range mode is either DUAL or AUTO. The mode field of the display will read HI CAL R.
D, E & F	SPARE	
	Digital Ground	The ground level from the analyzer's internal DC power supplies (same as chassis ground).
U	External Power input	Input pin for +5 VDC required for activating pins A – F.
+	5 VDC output	Internally generated 5V DC power. To activate inputs A – F, place a jumper between this pin and the “U” pin. The maximum amperage through this port is 300 mA (combined with the analog output supply, if used).

3.3.1.7. CONNECTING THE CONCENTRATION ALARM RELAY (OPTION 61)

The concentration alarm option is comprised of four (4) “dry contact” relays on the rear panel of the instrument. This relay option is different from and in addition to the “Contact Closures” that come standard on all Teledyne ML instruments. Each relay has 3 pins: Normally Open (NO), Common (C), and Normally Closed (NC).

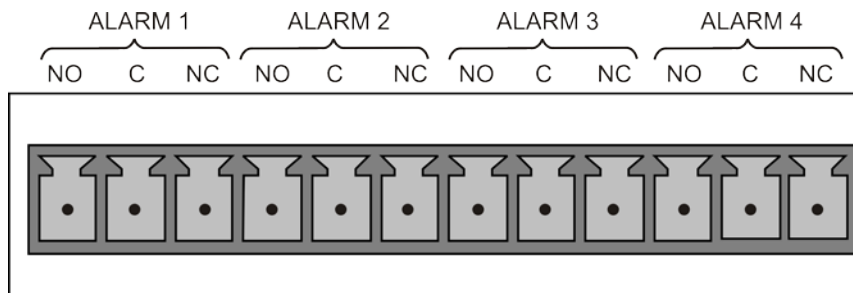


Figure 3-13: Concentration Alarm Relay

Alarm 1	“System OK 2”
Alarm 2	“Conc 1”
Alarm 3	“Conc 2”
Alarm 4	“Range Bit”

“ALARM 1” RELAY

Alarm 1 which is “System OK 2” (system OK 1, is the status bit) is in the energized state when the instrument is “OK” & there are no warnings. If there is a warning active or if the instrument is put into the “DIAG” mode, Alarm 1 will change states. This alarm has “reverse logic” meaning that if you put a meter across the Common & Normally Closed pins on the connector you will find that it is OPEN when the instrument is OK. This is so that if the instrument should turn off or lose power, it will change states and you can record this with a data logger or other recording device.

“ALARM 2” RELAY & “ALARM 3” RELAY

Alarm 2 relay is associated with the “Concentration Alarm 1” set point in the software; Alarm 3 Relay is associated with the “Concentration Alarm 2” set point in the software.

Alarm 2 Relay	CO Alarm 1 = xxx PPM
Alarm 3 Relay	CO₂ Alarm 2 = xxx PPM
Alarm 2 Relay	CO Alarm 1 = xxx PPM
Alarm 3 Relay	CO₂ Alarm 2 = xxx PPM

The Alarm 2 Relay will be turned on any time the concentration set-point is exceeded & will return to its normal state when the concentration value goes back below the concentration set-point.

Even though the relay on the rear panel is a NON-Latching alarm & resets when the concentration goes back below the alarm set point, the warning on the front panel of the

instrument will remain latched until it is cleared. You can clear the warning on the front panel by either pushing the CLR button on the front panel or through the serial port.

In instruments that sample more than one gas type, there could be more than one gas type triggering the Concentration 1 Alarm (“Alarm 2” Relay). For example, the T300M instrument can monitor both CO & CO₂ gas. The software is flexible enough to allow you to configure the alarms so that you can have 2 alarm levels for each gas.

CO Alarm 1 = 20 PPM

CO Alarm 2 = 100 PPM

CO₂ Alarm 1 = 20 PPM

CO₂ Alarm 2 = 100 PPM

In this example, CO Alarm 1 & CO₂ Alarm 1 will both be associated with the “Alarm 2” relay on the rear panel. This allows you do have multiple alarm levels for individual gasses.

A more likely configuration for this would be to put one gas on the “Alarm 1” relay & the other gas on the “Alarm 2” relay.

CO Alarm 1 = 20 PPM

CO Alarm 2 = Disabled

CO₂ Alarm 1 = Disabled

CO₂ Alarm 2 = 100 PPM

“ALARM 4” RELAY

This relay is connected to the “range bit”. If the instrument is configured for “Auto Range” and the instrument goes up into the high range, it will turn this relay on.

3.3.1.8. CONNECTING THE COMMUNICATION INTERFACES

The T-Series analyzers are equipped with connectors for remote communications interfaces: **Ethernet**, **USB**, **RS-232**, optional **RS-232 Multidrop**, and optional **RS-485**. In addition to using the appropriate cables, each type of communication method must be configured using the SETUP>COMM menu, Section 6. Although Ethernet is DHCP-enabled by default, it can also be configured manually (Section 6.5.1) to set up a static IP address, which is the recommended setting when operating the instrument via Ethernet.

ETHERNET CONNECTION

For network or Internet communication with the analyzer, connect an Ethernet cable from the analyzer’s rear panel Ethernet interface connector to an Ethernet access port. Please see Section 6.5 for description and setup instructions.

For manual configuration, see Section 6.5.1.

For automatic configuration (default), see Section 6.5.2.

USB CONNECTION

For direct communication between the analyzer and a PC, connect a USB cable between the analyzer and desktop or laptop USB ports. The baud rate for the analyzer and the computer must match; you may elect to change one or the other: to view and/or change the analyzer's baud rate, see Section 6.2.2.

Note

If this option is installed, the COM2 port cannot be used for anything other than Multidrop communication.

For configuration, see 6.6.

RS-232 CONNECTION

For **RS-232** communications with data terminal equipment (**DTE**) or with data communication equipment (**DCE**) connect either a DB9-female-to-DB9-female cable (Teledyne ML part number WR000077) or a DB9-female-to-DB25-male cable (Option 60A, Section 1.4), as applicable, from the analyzer's rear panel RS-232 port to the device. Adjust the DCE-DTE switch (Figure 3-4) to select DTE or DCE as appropriate.

Configuration: Sections 5.7 and 6.3.

IMPORTANT

IMPACT ON READINGS OR DATA

Cables that appear to be compatible because of matching connectors may incorporate internal wiring that makes the link inoperable. Check cables acquired from sources other than Teledyne ML for pin assignments (Figure 3-14) before using.

RS-232 COM PORT CONNECTOR PIN-OUTS

Electronically, the difference between the DCE and DTE is the pin assignment of the Data Receive and Data Transmit functions.

- DTE devices receive data on pin 2 and transmit data on pin 3.
- DCE devices receive data on pin 3 and transmit data on pin 2.

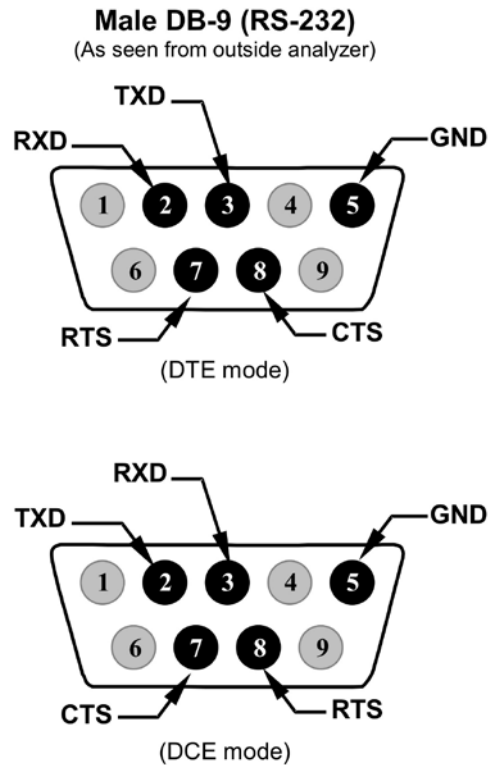


Figure 3-14: Rear Panel Connector Pin-Outs for RS-232 Mode

The signals from these two connectors are routed from the motherboard via a wiring harness to two 10-pin connectors on the CPU card, J11 (COM1) and J12 (COM2) (Figure 3-15).

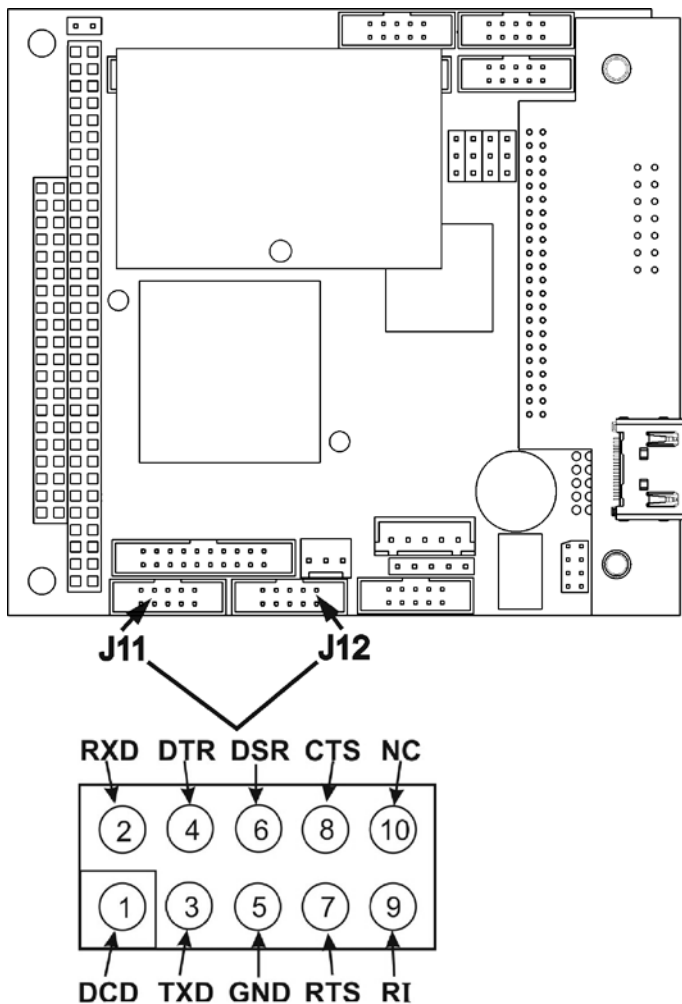


Figure 3-15: Default Pin Assignments for CPU COM Port connector (RS-232)

RS-232 COM PORT DEFAULT SETTINGS

Received from the factory, the analyzer is set up to emulate a DCE or modem, with Pin 3 of the DB-9 connector designated for receiving data and Pin 2 designated for sending data.

- **RS-232 (COM1):** RS-232 (fixed) DB-9 male connector.
 - **Baud rate:** 115200 bits per second (baud)
 - **Data Bits:** 8 data bits with 1 stop bit
 - **Parity:** None
- **COM2:** RS-232 (configurable to RS-485), DB-9 female connector.
 - **Baud rate:** 19200 bits per second (baud)
 - **Data Bits:** 8 data bits with 1 stop bit
 - **Parity:** None

RS-232 MULTIDROP OPTION CONNECTION

When the RS-232 Multidrop option is installed, connection adjustments and configuration through the menu system are required. This section provides instructions for the internal connection adjustments, then for external connections, and ends with instructions for menu-driven configuration.

Note

Because the RS-232 Multidrop option uses both the RS232 and COM2 DB9 connectors on the analyzer's rear panel to connect the chain of instruments, COM2 port is no longer available for separate RS-232 or RS-485 operation.

ATTENTION

COULD DAMAGE INSTRUMENT AND VOID WARRANTY

Printed Circuit Assemblies (PCAs) are sensitive to electro-static discharges too small to be felt by the human nervous system. Failure to use ESD protection when working with electronic assemblies will void the instrument warranty. Refer to Section 14 for more information on preventing ESD damage.

In each instrument with the Multidrop option there is a shunt jumpering two pins on the serial Multidrop and LVDS printed circuit assembly (PCA), as shown in Figure 3-16. This shunt must be removed from all instruments except that designated as last in the multidrop chain, which must remain terminated. This requires powering off and opening each instrument and making the following adjustments:

1. With **NO power** to the instrument, remove its top cover and lay the rear panel open for access to the Multidrop/LVDS PCA, which is seated on the CPU.
2. On the Multidrop/LVDS PCA's JP2 connector, remove the shunt that jumpers Pins 21 ↔ 22 as indicated in. (Do this for all but the last instrument in the chain where the shunt should remain at Pins 21 ↔ 22).
3. Check that the following cable connections are made in *all* instruments (again refer to Figure 3-16):
 - J3 on the Multidrop/LVDS PCA to the CPU's COM1 connector
(Note that the CPU's COM2 connector is not used in Multidrop)
 - J4 on the Multidrop/LVDS PCA to J12 on the motherboard
 - J1 on the Multidrop/LVDS PCS to the front panel LCD

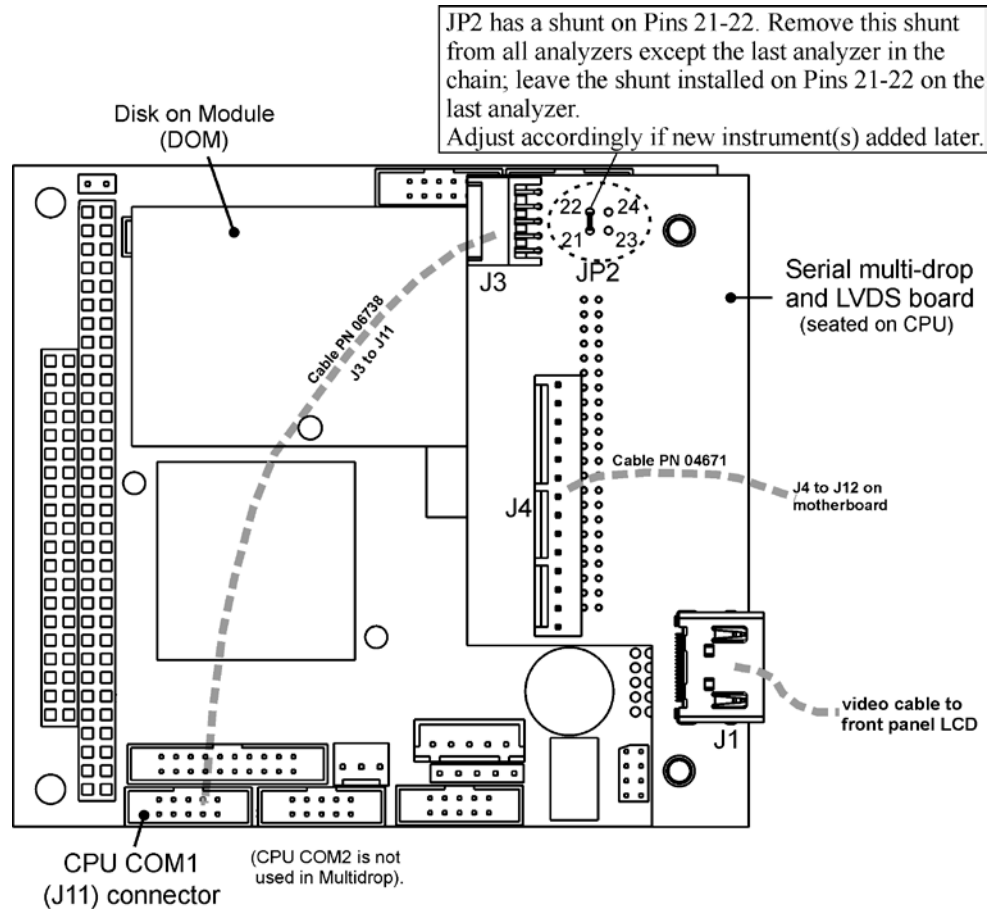


Figure 3-16: Jumper and Cables for Multidrop Mode

Note: If you are adding an instrument to the end of a previously configured chain, remove the shunt between Pins 21 ↔ 22 of JP2 on the Multidrop/LVDS PCA in the instrument that was previously the last instrument in the chain.

4. Close the instrument.
5. Referring to Figure 3-17 use straight-through DB9 male → DB9 female cables to interconnect the host RS232 port to the first analyzer's RS232 port; then from the first analyzer's COM2 port to the second analyzer's RS232 port; from the second analyzer's COM2 port to the third analyzer's RS232 port, etc., connecting in this fashion up to eight analyzers, subject to the distance limitations of the RS-232 standard.
6. On the rear panel of each analyzer, adjust the DCE DTE switch so that the green and the red LEDs (RX and TX) of the COM1 connector (labeled RS232) are both lit. (Ensure you are using the correct RS-232 cables internally wired specifically for RS-232 communication; see Table 1-1: Analyzer Options, "Communication Cables" and Section 3.3.1.8: Connecting the Communications Interfaces, "RS-232 Connection").

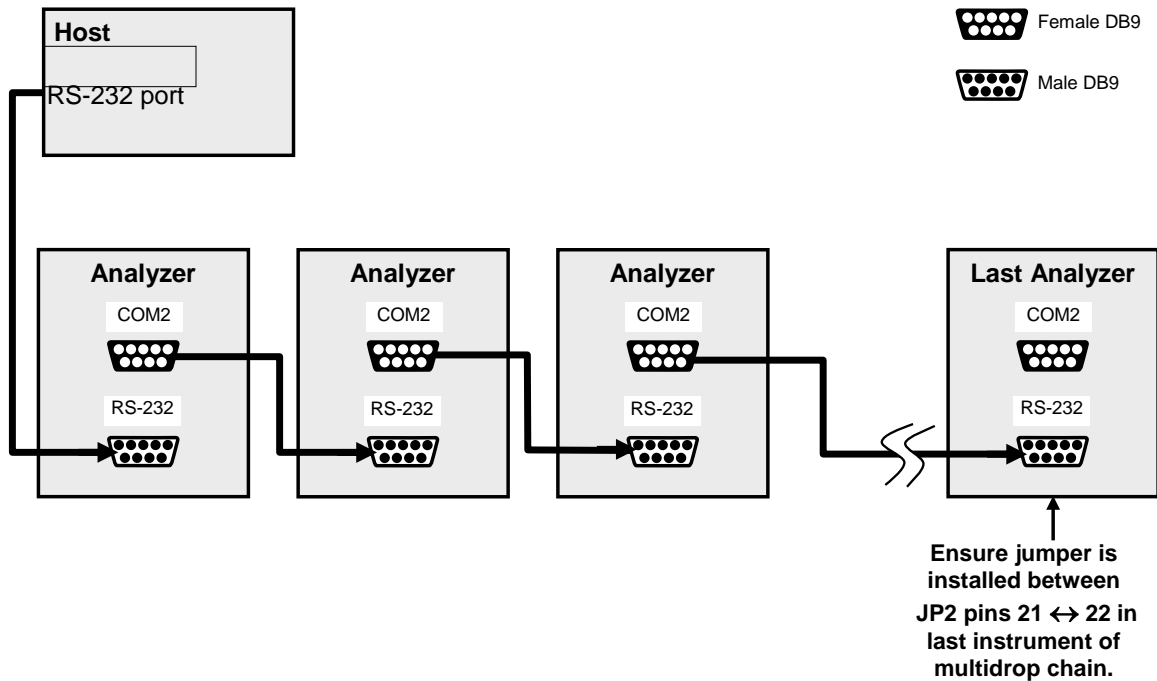


Figure 3-17: RS-232-Multidrop PCA Host/Analyzer Interconnect Diagram

7. BEFORE communicating from the host, power on the instruments and check that the Machine ID code is unique for each (Section 5.7.1).
 - a. In the SETUP Mode menu go to SETUP>MORE>COMM>ID. The default ID is typically the model number or “0”.
 - b. To change the identification number, press the button below the digit to be changed.
 - c. Press/select ENTER to accept the new ID for that instrument.
8. Next, in the SETUP>MORE>COMM>COM1 menu (do not use the COM2 menu for multidrop), edit the COM1 MODE parameter as follows: press/select EDIT and set only QUIET MODE, COMPUTER MODE, and MULTIDROP MODE to ON. Do not change any other settings.
9. Press/select ENTER to accept the changed settings, and ensure that COM1 MODE now shows 35.
10. Press/select SET> to go to the COM1 BAUD RATE menu and ensure it reads the same for all instruments (edit as needed so that all instruments are set at the same baud rate).

Note

- The Instrument ID's should not be duplicated.
- The (communication) Host instrument can only address one instrument at a time.

Note

Teledyne ML recommends setting up the first link, between the Host and the first analyzer, and testing it before setting up the rest of the chain.

RS-485 CONNECTION

As delivered from the factory, **COM2** is configured for RS-232 communications. This port can be reconfigured for operation as a non-isolated, half-duplex RS-485 port. Using COM2 for RS-485 communication disables the USB port. To configure the instrument for RS-485 communication, please contact the factory.

3.3.2. PNEUMATIC CONNECTIONS

This section provides not only pneumatic connection information, but also important information about the gases required for accurate calibration; it also illustrates the pneumatic layouts for the analyzer in its basic configuration and with options.

Before making the pneumatic connections, carefully note the following cautionary and special messages:



CAUTION
GENERAL SAFETY HAZARD

CARBON MONOXIDE (CO) IS A TOXIC GAS.

Do not vent calibration gas and sample gas into enclosed areas. Obtain a Material Safety Data Sheet (MSDS) for this material. Read and rigorously follow the safety guidelines described there.



CAUTION
GENERAL SAFETY HAZARD

Sample and calibration gases should only come into contact with PTFE (Teflon), FEP, glass, stainless steel or brass.

The exhaust from the analyzer's internal pump MUST be vented outside the immediate area or shelter surrounding the instrument.

It is important to conform to all safety requirements regarding exposure to CO.

ATTENTION**-----
COULD DAMAGE INSTRUMENT AND VOID WARRANTY****Maximum Pressure:**

Ideally the maximum pressure of any gas at the sample inlet should equal ambient atmospheric pressure and should NEVER exceed 1.5 in-hg above ambient pressure.

Venting Pressurized Gas:

In applications where any gas (span gas, zero air supply, sample gas is) received from a pressurized manifold, a vent must be provided to equalize the gas with ambient atmospheric pressure before it enters the analyzer to ensure that the gases input do not exceed the maximum inlet pressure of the analyzer, as well as to prevent back diffusion and pressure effects. These vents should be:

- at least 0.2m long
- no more than 2m long
- vented outside the shelter or immediate area surrounding the instrument.

Dust Plugs:

Remove dust plugs from rear panel exhaust and supply line fittings before powering on/operating instrument. These plugs should be kept for reuse in the event of future storage or shipping to prevent debris from entering the pneumatics.

-----**IMPORTANT****-----
Leak Check**

Run a leak check once the appropriate pneumatic connections have been made; check all pneumatic fittings for leaks using the procedures defined in Section 11.3.3.

See Figure 3-4 and Table 3-3 for the location and descriptions of the various pneumatic inlets/outlets referenced in this section.

3.3.2.1. PNEUMATIC CONNECTIONS FOR BASIC CONFIGURATION

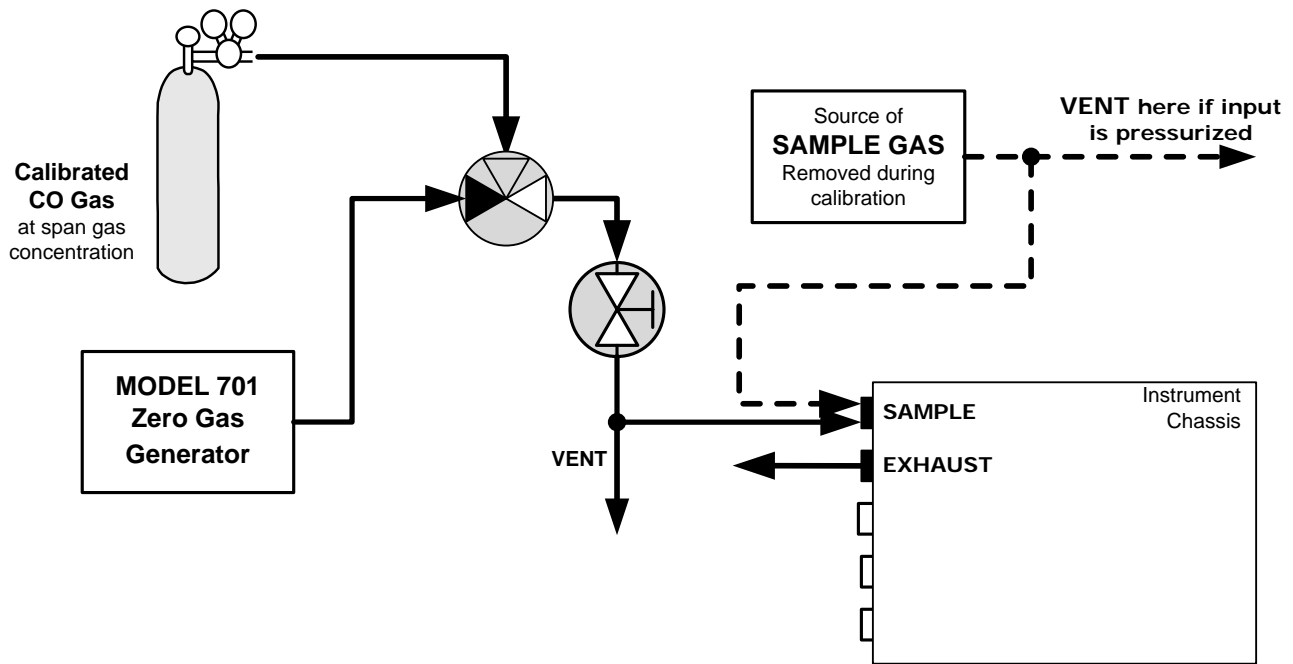


Figure 3-18: Pneumatic Connections–Basic Configuration–Using Bottled Span Gas

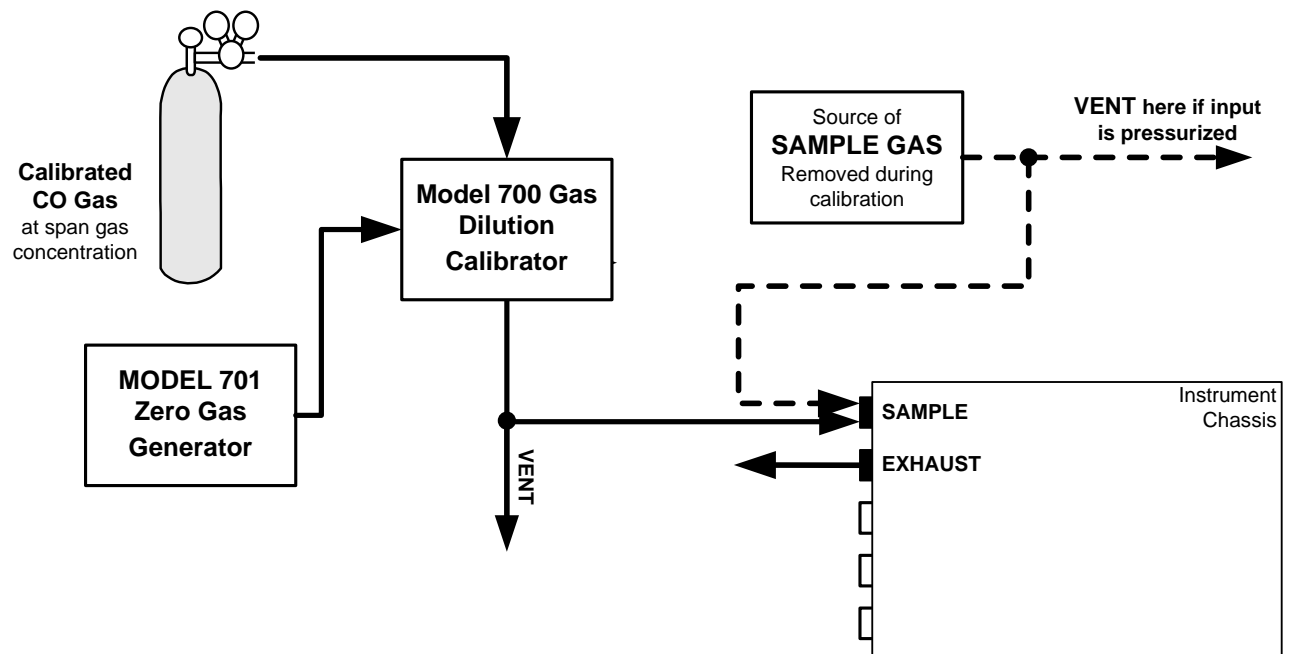


Figure 3-19: Pneumatic Connections–Basic Configuration–Using Gas Dilution Calibrator

SAMPLE GAS SOURCE

Attach a sample inlet line to the **SAMPLE** inlet port. The sample input line should not be more than 2 meters long.

- Maximum pressure of any gas at the sample inlet should not exceed 1.5 in-hg above ambient pressure and ideally should equal ambient atmospheric pressure.
- In applications where the sample gas is received from a pressurized manifold, a vent must be placed on the sample gas before it enters the analyzer.

CALIBRATION GAS SOURCES

The source of calibration gas is also attached to the **SAMPLE** inlet, but only when a calibration operation is actually being performed.

Note

Zero air and span gas inlets should supply their respective gases in excess of the 800 cc3/min demand of the analyzer.

INPUT GAS VENTING

The span gas, zero air supply and sample gas line **MUST** be vented in order to ensure that the gases input do not exceed the maximum inlet pressure of the analyzer as well as to prevent back diffusion and pressure effects. These vents should be:

- At least 0.2m long;
- No more than 2m long and;
- Vented outside the shelter or immediate area surrounding the instrument.

EXHAUST OUTLET

Attach an exhaust line to the analyzer's **EXHAUST** outlet fitting. The exhaust line should be:

- PTEF tubing; minimum O.D. ¼";
- A maximum of 10 meters long;
- Vented outside the T300/T300M Analyzer's enclosure.

3.3.2.2. PNEUMATIC LAYOUT FOR BASIC CONFIGURATION

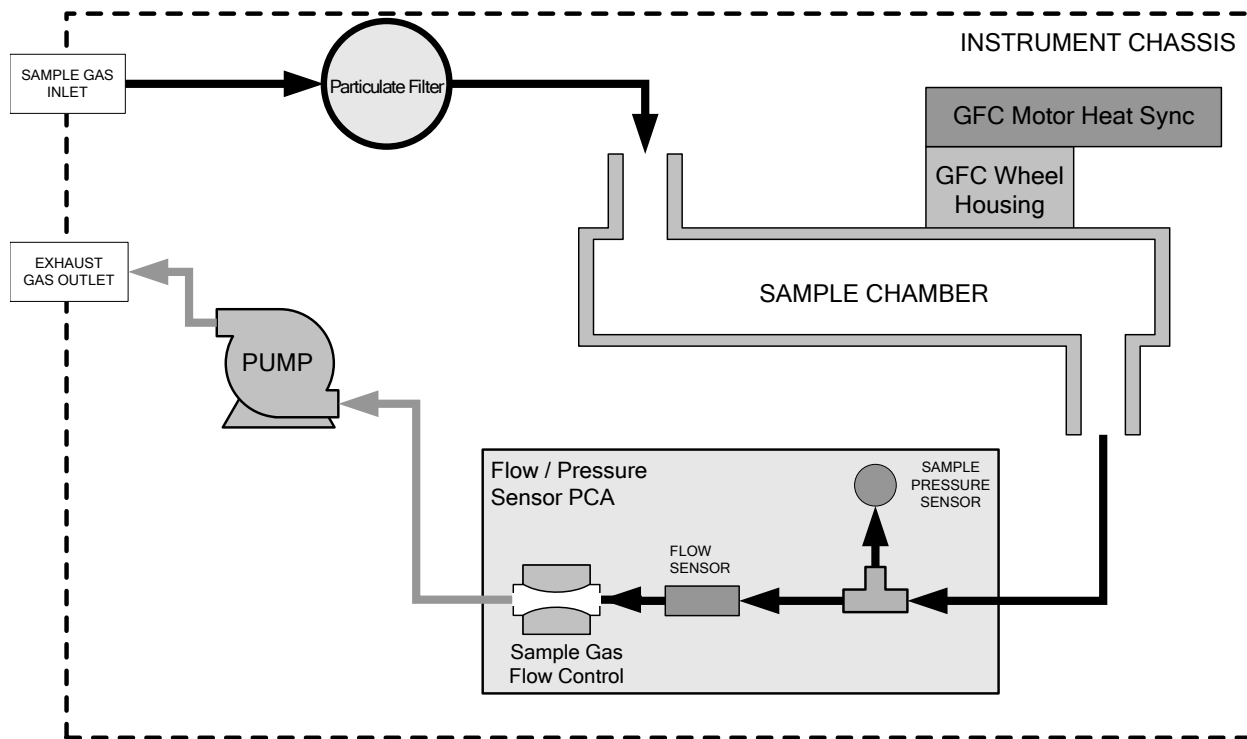


Figure 3-20: T300/T300M Internal Gas Flow (Basic Configuration)

3.3.2.3. PNEUMATIC CONNECTIONS FOR AMBIENT ZERO/AMBIENT SPAN VALVE OPTION

This valve option is intended for applications where:

- Zero air is supplied by a zero air generator like the Teledyne ML T701 and;
- Span gas is supplied by Gas Dilution Calibrator like the Teledyne ML T700.

Internal zero/span and sample/cal valves control the flow of gas through the instrument, but because the generator and calibrator limit the flow of zero air and span gas, no shutoff valves are required.

See Figure 3-4 for the location of gas inlets.

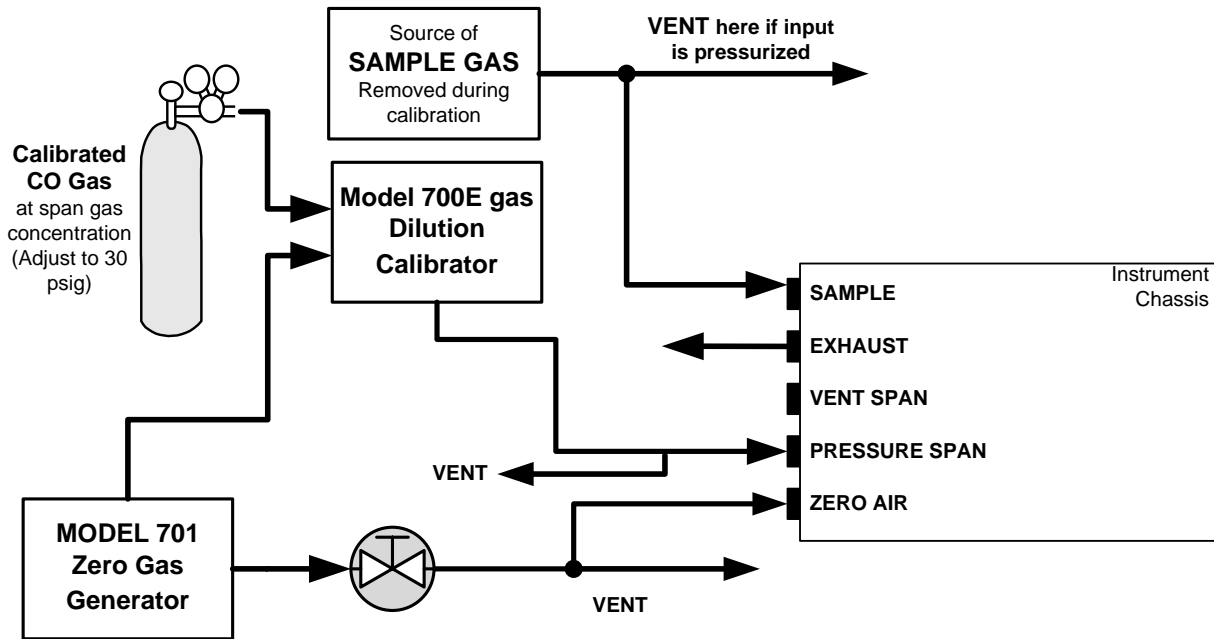


Figure 3-21: Pneumatic Connections – Option 50A: Zero/Span Calibration Valves

SAMPLE GAS SOURCE

Attach a sample inlet line to the sample inlet port. The SAMPLE input line should not be more than 2 meters long.

- Maximum pressure of any gas at the sample inlet should not exceed 1.5 in-hg above ambient pressure and ideally should equal ambient atmospheric pressure.
- In applications where the sample gas is received from a pressurized manifold, a vent must be placed on the sample gas before it enters the analyzer.

CALIBRATION GAS SOURCES

A vent may or may not be required when a T700-series is used with this option, depending on how the T700-series model output manifold is configured.

SPAN GAS:

- Attach a gas line from the source of calibration gas (e.g. a Teledyne ML T700 Dynamic Dilution Calibrator) to the **SPAN** inlet at 30 psig.

ZERO AIR:

- Zero air is supplied via a zero air generator such as a Teledyne ML T701.
- An adjustable valve is installed in the zero air supply line to regulate the gas flow.

INPUT GAS VENTING

The zero air supply and sample gas line **MUST** be vented in order to ensure that the gases input do not exceed the maximum inlet pressure of the analyzer as well as to prevent back diffusion and pressure effects. These vents should be:

- At least 0.2m long;
- No more than 2m long; and vented outside the shelter or immediate area surrounding the instrument.

EXHAUST OUTLET

Attach an exhaust line to the analyzer’s EXHAUST outlet fitting. The exhaust line should be:

- PTEF tubing; minimum O.D ¼”;
- A maximum of 10 meters long;
- Vented outside the analyzer’s enclosure.

3.3.2.4. PNEUMATIC LAYOUT FOR AMBIENT ZERO/AMBIENT SPAN VALVE OPTION

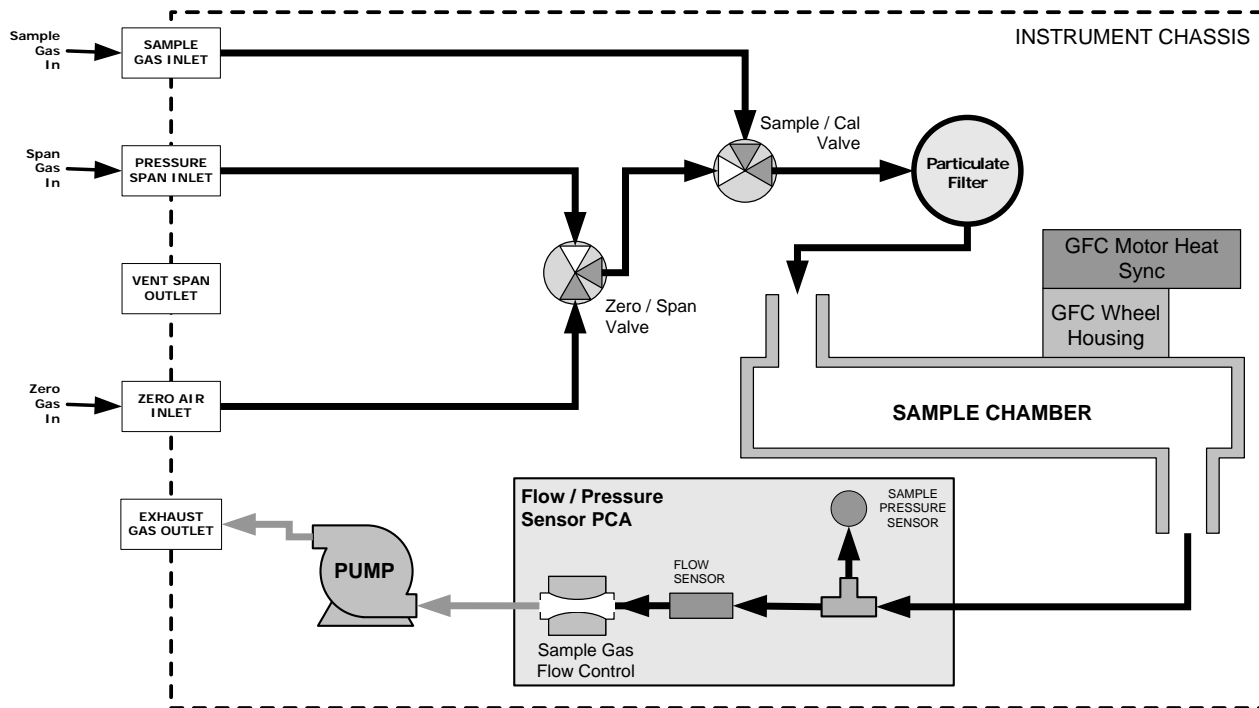


Figure 3-22: Internal Pneumatic Flow OPT 50A – Zero/Span Valves

Table 3-8: Zero/Span Valve Operating States for Option 50A

MODE	VALVE	CONDITION
SAMPLE (Normal State)	Sample/Cal	Open to SAMPLE inlet
	Zero/Span	Open to IZS inlet
ZERO CAL	Sample/Cal	Open to ZERO/SPAN valve
	Zero/Span	Open to IZS inlet
SPAN CAL	Sample/Cal	Open to ZERO/SPAN valve
	Zero/Span	Open to PRESSURE SPAN inlet

3.3.2.5. PNEUMATIC CONNECTIONS FOR AMBIENT ZERO/PRESSURIZED SPAN

This option requires that both zero air and span gas be supplied from external sources.

- Span gas will be supplied from a pressurized bottle of calibrated CO gas.
 - A critical flow control orifice, internal to the instrument ensures that the proper flow rate is maintained.
 - An internal vent line ensures that the gas pressure of the span gas is reduced to ambient atmospheric pressure.
 - A SHUTOFF valve preserves the span gas source when it is not in use.
- Zero gas is supplied by either an external scrubber or a zero air generator such as the Teledyne ML T701.

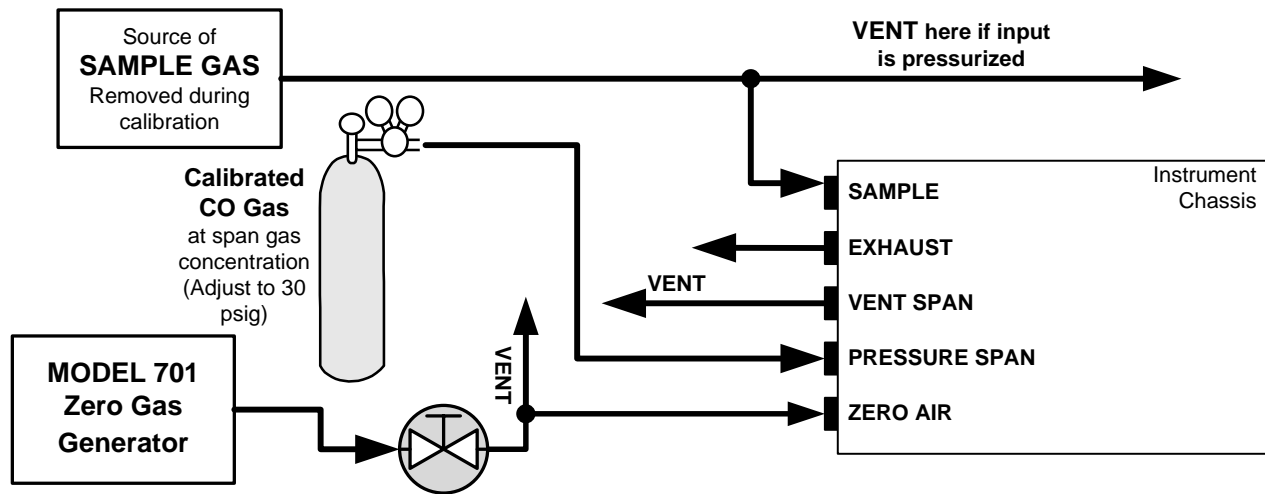


Figure 3-23: Pneumatic Connections – Option 50B: Ambient Zero/Pressurized Span Calibration Valves

SAMPLE GAS SOURCE

Attach a sample inlet line to the sample inlet port. The SAMPLE input line should not be more than 2 meters long.

- Maximum pressure of any gas at the sample inlet should not exceed 1.5 in-hg above ambient pressure and ideally should equal ambient atmospheric pressure.
- In applications where the sample gas is received from a pressurized manifold, a vent must be placed on the sample gas before it enters the analyzer.

CALIBRATION GAS SOURCES

SPAN GAS

- Attach a gas line from the pressurized source of calibration gas (e.g. a bottle of nist-srm gas) to the SPAN inlet at 30 psig.

ZERO AIR

- Zero air is supplied via a zero air generator such as a Teledyne ML T701.
- An adjustable valve is installed in the zero air supply line to regulate the gas flow.

INPUT GAS VENTING

The zero air supply and sample gas line **MUST** be vented in order to ensure that the gases input do not exceed the maximum inlet pressure of the analyzer as well as to prevent back diffusion and pressure effects. These vents should be:

- At least 0.2m long;
- No more than 2m long and;
- Vented outside the shelter or immediate area surrounding the instrument.

A similar vent line should be connected to the VENT SPAN outlet on the back of the analyzer.

EXHAUST OUTLET

Attach an exhaust line to the analyzer's EXHAUST outlet fitting. The exhaust line should be:

- PTEF tubing; minimum O.D ¼”;
- A maximum of 10 meters long;
- Vented outside the analyzer’s enclosure.

3.3.2.6. PNEUMATIC LAYOUT FOR AMBIENT ZERO/PRESSURIZED SPAN OPTION

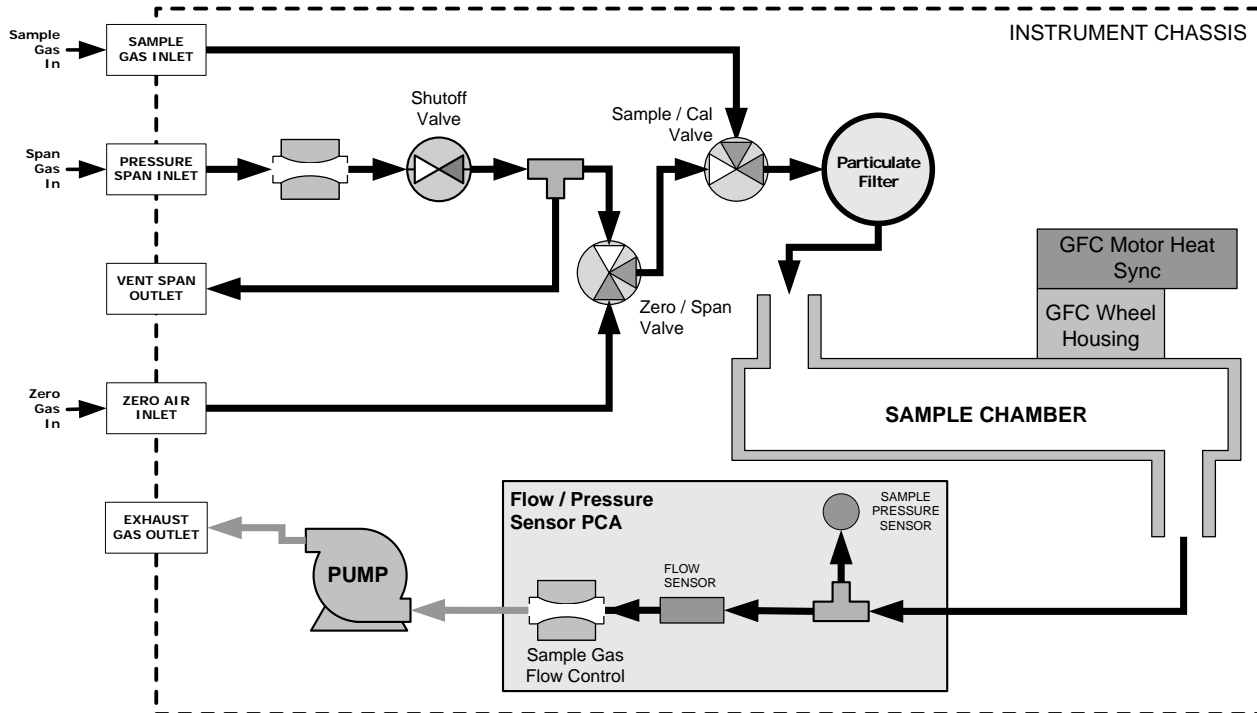


Figure 3-24: Internal Pneumatic Flow OPT 50B – Zero/Span/Shutoff Valves

Table 3-9: Zero/Span Valve Operating States for Option 50B

MODE	VALVE	CONDITION
SAMPLE (Normal State)	Sample/Cal	Open to SAMPLE inlet
	Zero/Span	Open to IZS inlet
	Shutoff Valve	Closed
ZERO CAL	Sample/Cal	Open to ZERO/SPAN valve
	Zero/Span	Open to IZS inlet
	Shutoff Valve	Closed
SPAN CAL	Sample/Cal	Open to ZERO/SPAN valve
	Zero/Span	Open to SHUTOFF valve
	Shutoff Valve	Open to PRESSURE SPAN Inlet

3.3.2.7. PNEUMATIC CONNECTIONS FOR ZERO SCRUBBER/PRESSURIZED SPAN OPTION

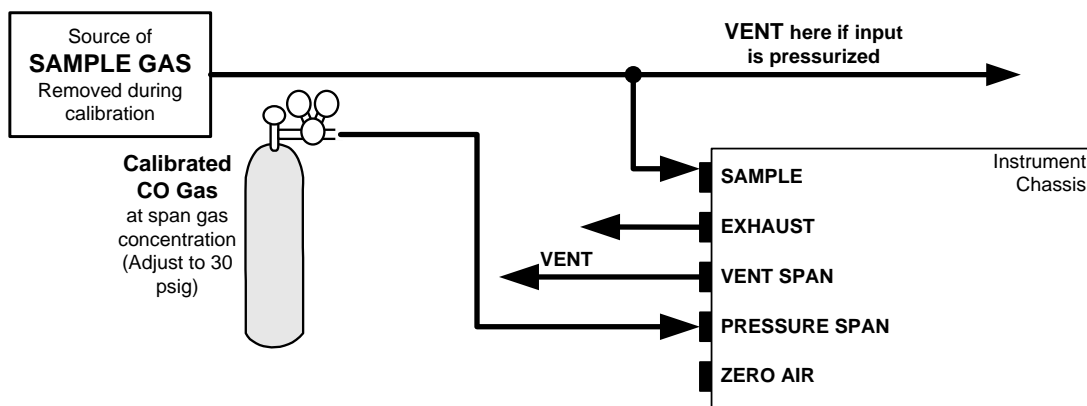


Figure 3-25: Pneumatic Connections – Zero Scrubber/Pressurized Span Calibration Valves (Opt 50E)

SAMPLE GAS SOURCE

Attach a sample inlet line to the sample inlet port. The SAMPLE input line should not be more than 2 meters long.

- Maximum pressure of any gas at the sample inlet should not exceed 1.5 in-hg above ambient pressure and ideally should equal ambient atmospheric pressure.
- In applications where the sample gas is received from a pressurized manifold, a vent must be placed on the sample gas before it enters the analyzer.

CALIBRATION GAS SOURCES

SPAN GAS:

- Attach a gas line from the pressurized source of calibration gas (e.g. a bottle of NIST-SRM gas) to the span inlet.
- Span gas can be generated by a T700 Dynamic Dilution Calibrator.

ZERO AIR:

- Zero air is supplied internally via a zero air scrubber that draws ambient air through the ZERO AIR inlet.

INPUT GAS VENTING

The zero air supply and sample gas line **MUST** be vented in order to ensure that the gases input do not exceed the maximum inlet pressure of the analyzer as well as to prevent back diffusion and pressure effects. These vents should be:

- At least 0.2m long;
- No more than 2m long and;
- Vented outside the shelter or immediate area surrounding the instrument.

A similar vent line should be connected to the VENT SPAN outlet on the back of the analyzer.

EXHAUST OUTLET

Attach an exhaust line to the analyzer’s EXHAUST outlet fitting. The exhaust line should be:

- PTEF tubing; minimum O.D ¼”;
- A maximum of 10 meters long;
- Vented outside the analyzer’s enclosure.

3.3.2.8. PNEUMATIC LAYOUT FOR ZERO SCRUBBER/PRESSURIZED SPAN OPTION

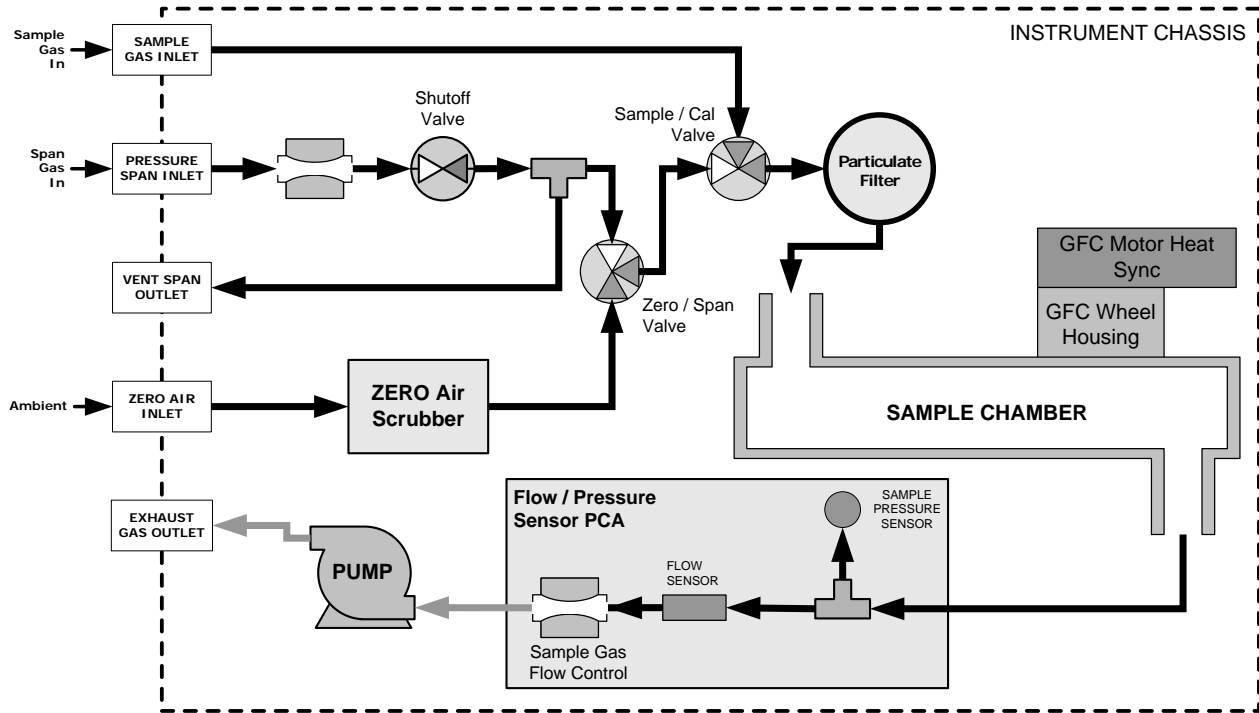


Figure 3-26: Internal Pneumatic Flow OPT 50E – Zero Scrubber/Pressurized Span

Table 3-10: Zero/Span Valve Operating States for Option 51E

Mode	Valve	Condition
SAMPLE (Normal State)	Sample/Cal	Open to SAMPLE inlet
	Zero/Span	Open to internal ZERO AIR scrubber
	Shutoff Valve	Closed
ZERO CAL	Sample/Cal	Open to zero/span valve
	Zero/Span	Open to internal ZERO AIR scrubber
	Shutoff Valve	Closed
SPAN CAL	Sample/Cal	Open to ZERO/SPAN valve
	Zero/Span	Open to SHUTOFF valve
	Shutoff Valve	Open to PRESSURE SPAN inlet

3.3.2.9. PNEUMATIC CONNECTIONS FOR ZERO SCRUBBER/AMBIENT SPAN OPTION

Option 50H is operationally and pneumatically similar to Option 50A described earlier, except that the zero air is generated by an internal zero air scrubber. This means that the IZS inlet can simply be left open to ambient air.

Internal zero/span and sample/cal valves control the flow of gas through the instrument, but because the generator and calibrator limit the flow of zero air and span gas no shutoff valves are required.

See Figure 3-4 for the location of gas inlets and outlets and span gas no shutoff valves are required.

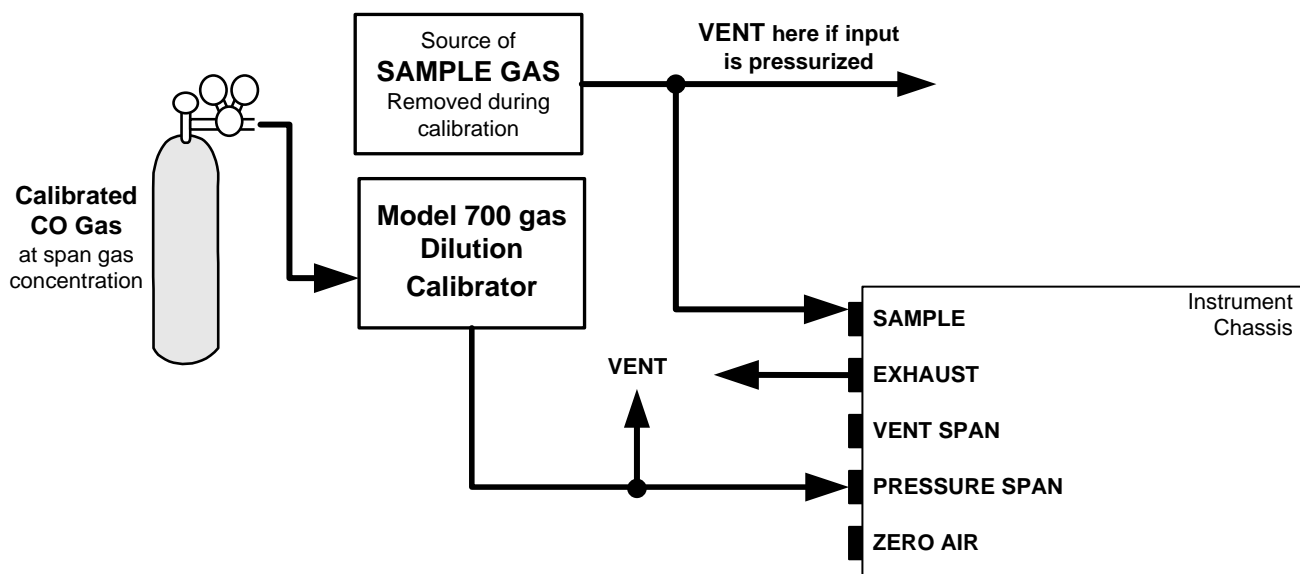


Figure 3-27: Pneumatic Connections – Option 50H: Zero/Span Calibration Valves

SAMPLE GAS SOURCE

Attach a sample inlet line to the sample inlet port. The SAMPLE input line should not be more than 2 meters long.

- Maximum pressure of any gas at the sample inlet should not exceed 1.5 in-Hg above ambient pressure and ideally should equal ambient atmospheric pressure.
- In applications where the sample gas is received from a pressurized manifold, a vent must be placed on the sample gas before it enters the analyzer.

CALIBRATION GAS SOURCES

SPAN GAS

- Attach a gas line from the source of calibration gas (e.g. a Teledyne ML's T700E Dynamic Dilution Calibrator) to the **SPAN** inlet.

ZERO AIR

- Zero air is supplied internally via a zero air scrubber that draws ambient air through the IZS inlet.

INPUT GAS VENTING

The zero air supply and sample gas line **MUST** be vented in order to ensure that the gases input do not exceed the maximum inlet pressure of the analyzer as well as to prevent back diffusion and pressure effects. These vents should be:

- At least 0.2m long;
- No more than 2m long and;
- Vented outside the shelter or immediate area surrounding the instrument.

EXHAUST OUTLET

Attach an exhaust line to the analyzer's EXHAUST outlet fitting. The exhaust line should be:

- PTEF tubing; minimum O.D ¼";
- A maximum of 10 meters long;
- Vented outside the analyzer's enclosure.

3.3.2.10. PNEUMATIC LAYOUT FOR ZERO SCRUBBER/ AMBIENT SPAN OPTION

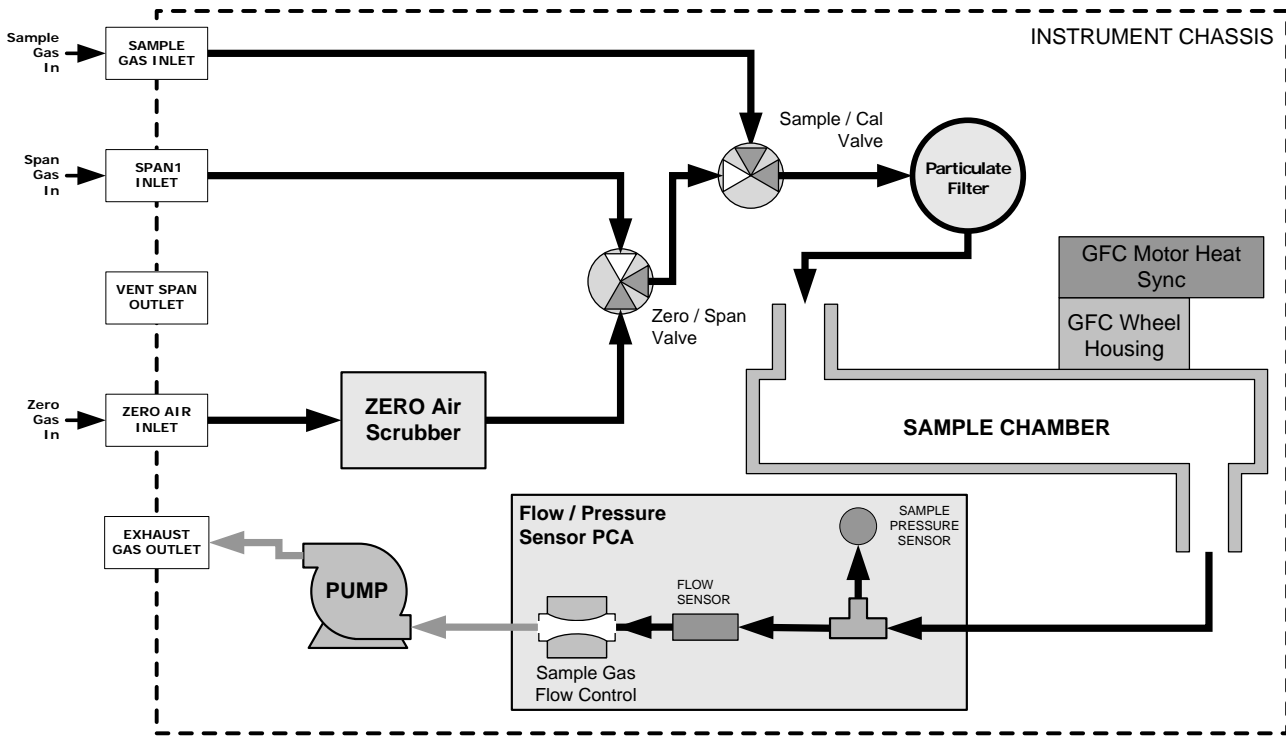


Figure 3-28: Internal Pneumatic Flow OPT 50H – Zero Scrubber/Ambient Span

Table 3-11: Zero/Span Valve Operating States for Option 50H

MODE	VALVE	CONDITION
SAMPLE (Normal State)	Sample/Cal	Open to SAMPLE inlet
	Zero/Span	Open to ZERO AIR scrubber
ZERO CAL	Sample/Cal	Open to ZERO/SPAN valve
	Zero/Span	Open to ZERO AIR scrubber
SPAN CAL	Sample/Cal	Open to ZERO/SPAN valve
	Zero/Span	Open to PRESSURE SPAN inlet

3.3.2.11. CALIBRATION GASES

Zero air and span gas are required for accurate calibration.

ZERO AIR

Zero air is a gas that is similar in chemical composition to the earth’s atmosphere but scrubbed of all components that might affect the analyzer’s readings, in this case CO and water vapor. If your analyzer is equipped with an Internal Zero Span (IZS) or an external zero air scrubber option, it is capable of creating zero air.

If the analyzer is NOT equipped with the optional CO₂ sensor, zero air should be scrubbed of CO₂ as well, as this gas can also have an interfering effect on CO measurements.

For analyzers without an IZS or external zero air scrubber option, a zero air generator such as the Teledyne ML Model T701 can be used.

SPAN GAS

Span gas is a gas specifically mixed to match the chemical composition of the type of gas being measured at near full scale of the desired measurement range. In the case of CO measurements made with the T300 or T300M Analyzer, it is recommended that you use a span gas with a CO concentration equal to 80-90% of the measurement range for your application.

EXAMPLE: If the application is to measure between 0 ppm and 500 ppb, an appropriate span gas concentration would be 400-450 ppb CO in N₂.

Cylinders of calibrated CO gas traceable to NIST-Standard Reference Material specifications (also referred to as SRMs or EPA protocol calibration gases) are commercially available. Table 3-12 lists specific NIST-SRM reference numbers for various concentrations of CO.

Table 3-12: NIST-SRM's Available for Traceability of CO Calibration Gases

NIST-SRM	TYPE	NOMINAL CONCENTRATION
1680b	CO in N ₂	500 ppm
1681b	CO in N ₂	1000 ppm
2613a	CO in Zero Air	20 ppm
2614a	CO in Zero Air	45 ppm
2659a ¹	O ₂ in N ₂	21% by weight
2626a	CO ₂ in N ₂	4% by weight
2745*	CO ₂ in N ₂	16% by weight
¹ Used to calibrate optional O ₂ sensor. ² Used to calibrate optional CO ₂ sensor.		

SPAN GAS FOR MULTIPOINT CALIBRATION

Some applications, such as EPA monitoring, require a multipoint calibration procedure where span gases of different concentrations are needed. We recommend using a bottle of calibrated CO gas of higher concentration in conjunction with a gas dilution calibrator such as a Teledyne ML's T700. This type of calibrator precisely mixes a high concentration gas with zero air (both supplied externally) to accurately produce span gas of the correct concentration. Linearity profiles can be automated with this model and run unattended over night.

3.4. STARTUP, FUNCTIONAL CHECKS, AND INITIAL CALIBRATION

IMPORTANT

IMPACT ON READINGS OR DATA

The analyzer's cover must be installed to ensure that the temperatures of the GFC Wheel and absorption cell assemblies are properly controlled.

If you are unfamiliar with the T300/T300M theory of operation, we recommend that you read Section 13. For information on navigating the analyzer's software menus, see the menu trees described in Appendix A.

3.4.1. STARTUP

After the electrical and pneumatic connections are made, an initial functional check is in order. Turn on the instrument. The pump and exhaust fan should start immediately. The display will briefly show a momentary splash screen of the Teledyne ML logo and other information during the initialization process while the CPU loads the operating system, the firmware and the configuration data at the start of initialization.

The analyzer should automatically switch to Sample Mode after completing the boot-up sequence and start monitoring CO gas. However, there is an approximately one hour warm-up period before reliable gas measurements can be taken. During the warm-up period, the front panel display may show messages in the Parameters field.

3.4.2. WARNING MESSAGES

Because internal temperatures and other conditions may be outside the specified limits during the analyzer's warm-up period, the software will suppress most warning conditions for 30 minutes after power up. If warning messages persist after the 60 minutes warm-up period is over, investigate their cause using the troubleshooting guidelines in Section 12.

To view and clear warning messages, press:

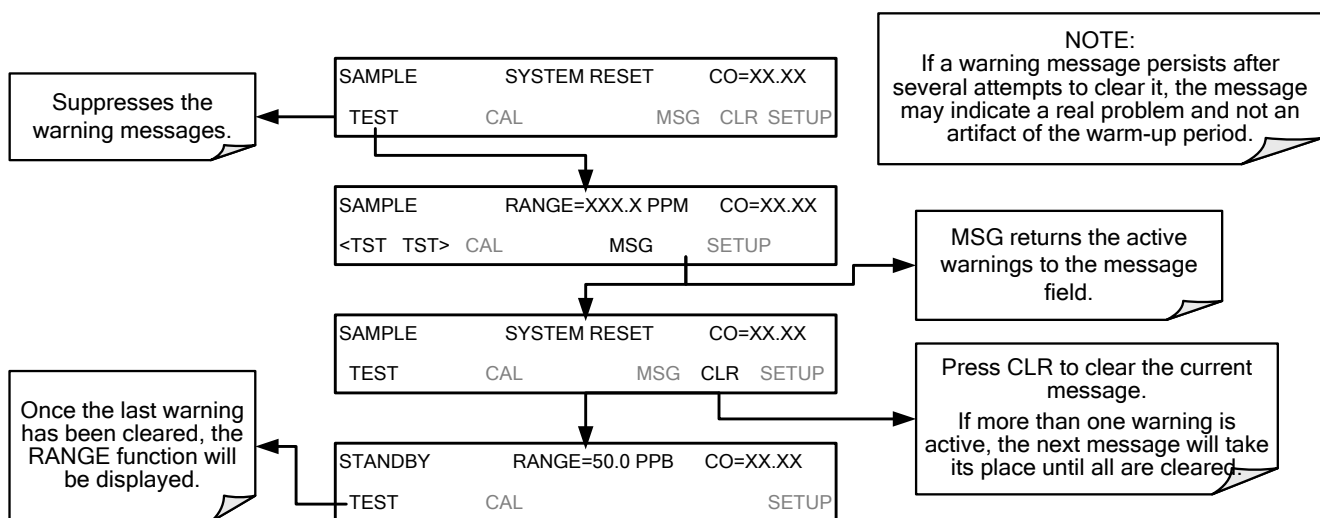


Table 3-13 lists brief descriptions of the warning messages that may occur during start up.

Table 3-13: Possible Warning Messages at Start-Up

Message	MEANING
ANALOG CAL WARNING	The instrument's A/D circuitry or one of its analog outputs is not calibrated.
BENCH TEMP WARNING	Optical bench temperature is outside the specified limits.
BOX TEMP WARNING	The temperature inside the T300/T300M chassis is outside the specified limits.
CANNOT DYN SPAN²	Remote span calibration failed while the dynamic span feature was set to turned on.
CANNOT DYN ZERO³	Remote zero calibration failed while the dynamic zero feature was set to turned on.
CONFIG INITIALIZED	Configuration was reset to factory defaults or was erased.
DATA INITIALIZED	DAS data storage was erased.
PHOTO TEMP WARNING	Photometer temperature outside of warning limits specified by PHOTO_TEMP_SET variable.
REAR BOARD NOT DET	Motherboard was not detected during power up.
RELAY BOARD WARN	CPU is unable to communicate with the relay PCA.
SAMPLE FLOW WARN	The flow rate of the sample gas is outside the specified limits.
SAMPLE PRESS WARN	Sample pressure outside of operational parameters.
SAMPLE TEMP WARN	The temperature of the sample gas is outside the specified limits.
SOURCE WARNING	The IR source may be faulty.
SYSTEM RESET¹	The computer was rebooted.
WHEEL TEMP WARNING	The Gas Filter Correlation Wheel temperature is outside the specified limits.
¹ Typically clears 45 minutes after power up. ² Clears the next time successful zero calibration is performed. ³ Clears the next time successful span calibration is performed.	

Table 3-14 lists brief descriptions of the warning messages that may occur during start up for T300 analyzers with optional second gas options or alarms installed.

Table 3-14: Possible Startup Warning Messages – T300 Analyzers with Options

Message	Meaning
O2 CELL TEMP WARN¹	O ₂ sensor cell temperature outside of warning limits specified by O ₂ _CELL_SET variable.
IZS TEMP WARNING²	On units with IZS options installed: The permeation tube temperature is outside of specified limits.
O2 ALARM 1 WARN^{1,4}	O ₂ Alarm limit #1 has been triggered. ⁴
O2 ALARM 2 WARN^{1,4}	O ₂ Alarm limit #2 has been triggered. ⁴
CO2 ALARM 1 WARN^{3,4}	CO ₂ Alarm limit #1 has been triggered. ⁴
CO2 ALARM 2 WARN^{3,4}	CO ₂ Alarm limit #2 has been triggered. ⁴
SO2 ALARM1 WARN⁴	SO ₂ Alarm limit #1 has been triggered. ⁴
SO2 ALARM2 WARN⁴	SO ₂ Alarm limit #2 has been triggered. ⁴
¹ Only appears when the optional O ₂ sensor is installed. ² Only appears when the optional internal zero span (IZS) option is installed. ³ Only appears when the optional CO ₂ sensor is installed. ⁴ Only Appears when the optional gas concentration alarms are installed	

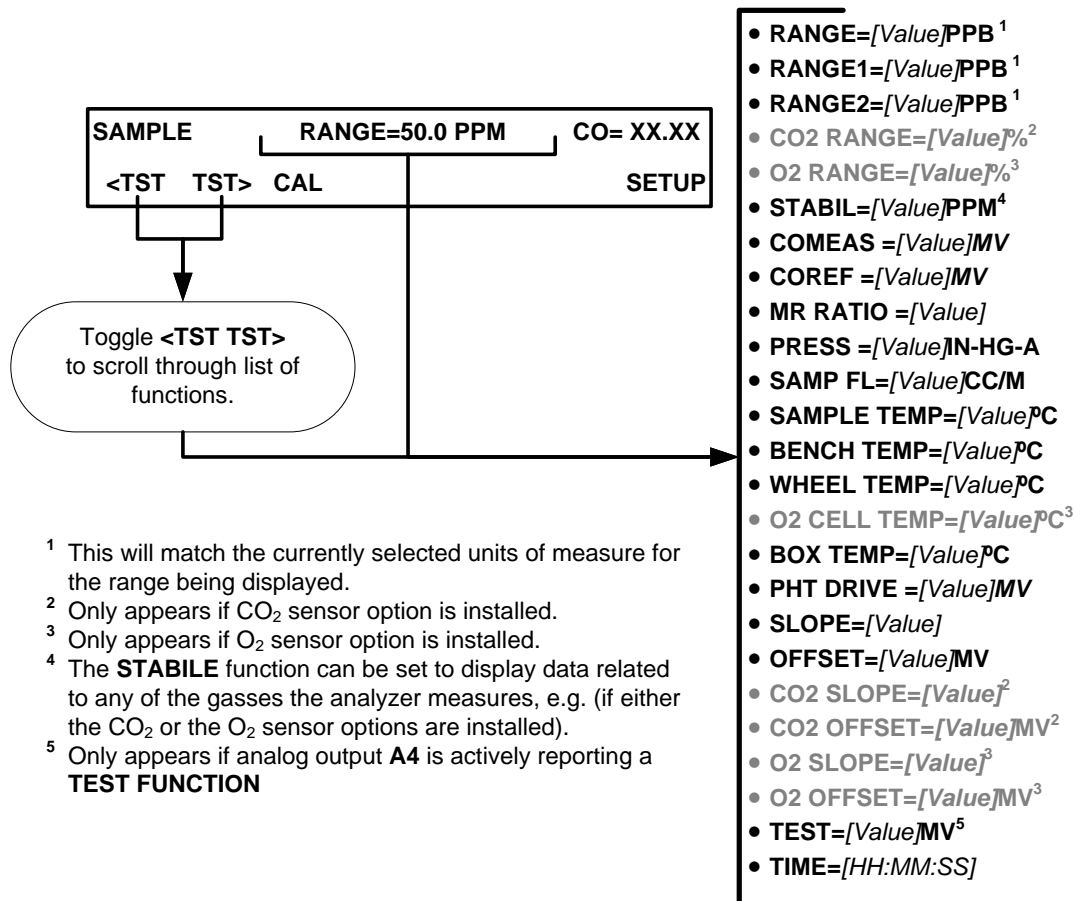
3.4.3. FUNCTIONAL CHECKS

After the analyzer's components have warmed up for at least 60 minutes, verify that the software properly supports any hardware options that were installed: navigate through the analyzer's software menus, see the menu trees described in Appendix A.

Then check to make sure that the analyzer is functioning within allowable operating parameters:

- Appendix C includes a list of test functions viewable from the analyzer's front panel as well as their expected values.
- These functions are also useful tools for diagnosing performance problems with your analyzer (see Section 12.1.2).
- The enclosed Final Test and Validation Data Sheet (P/N 04271) lists these values as they were before the instrument left the factory.

To view the current values of these parameters press the following control button sequence on the analyzer's front panel. Remember that until the unit has completed its warm-up these parameters may not have stabilized.



3.4.4. INITIAL CALIBRATION

To perform the following calibration you must have sources for zero air and span gas available for input into the sample port on the back of the analyzer. See Section 3.3.2 for instructions for connecting these gas sources.

The initial calibration should be carried out using the same reporting range set up as used during the analyzer's factory calibration. This will allow you to compare your calibration results to the factory calibration as listed on the *Final Test and Validation Data Sheet*.

If both available DAS parameters for a specific gas type are being reported via the instrument's analog outputs (e.g. **CONC1** and **CONC2** when the **DUAL** range mode is activated), separate calibrations should be carried out for each parameter.

- Use the **LOW** button when calibrating for **CONC1** (equivalent to **RANGE1**).
- Use the **HIGH** button when calibrating for **CONC2** (equivalent to **RANGE2**).

NOTE

The following procedure assumes that the instrument does not have any of the available Valve Options installed. See Section 9.3 for instructions for calibrating instruments that have valve options.

3.4.4.1. INTERFERENTS FOR CO MEASUREMENTS

It should be noted that the gas filter correlation method for detecting CO is subject to interference from a number of other gases that absorb IR in a similar fashion to CO. Most notable of these are water vapor, CO₂, N₂O (nitrous oxide) and CH₄ (methane). The T300/T300M has been successfully tested for its ability to reject interference from of these sources, however high concentrations of these gases can interfere with the instrument's ability to make low-level CO measurements.

For a more detailed discussion of this topic, see Section 13.2.1.3.

3.4.4.2. INITIAL CALIBRATION PROCEDURE

The following procedure assumes that:

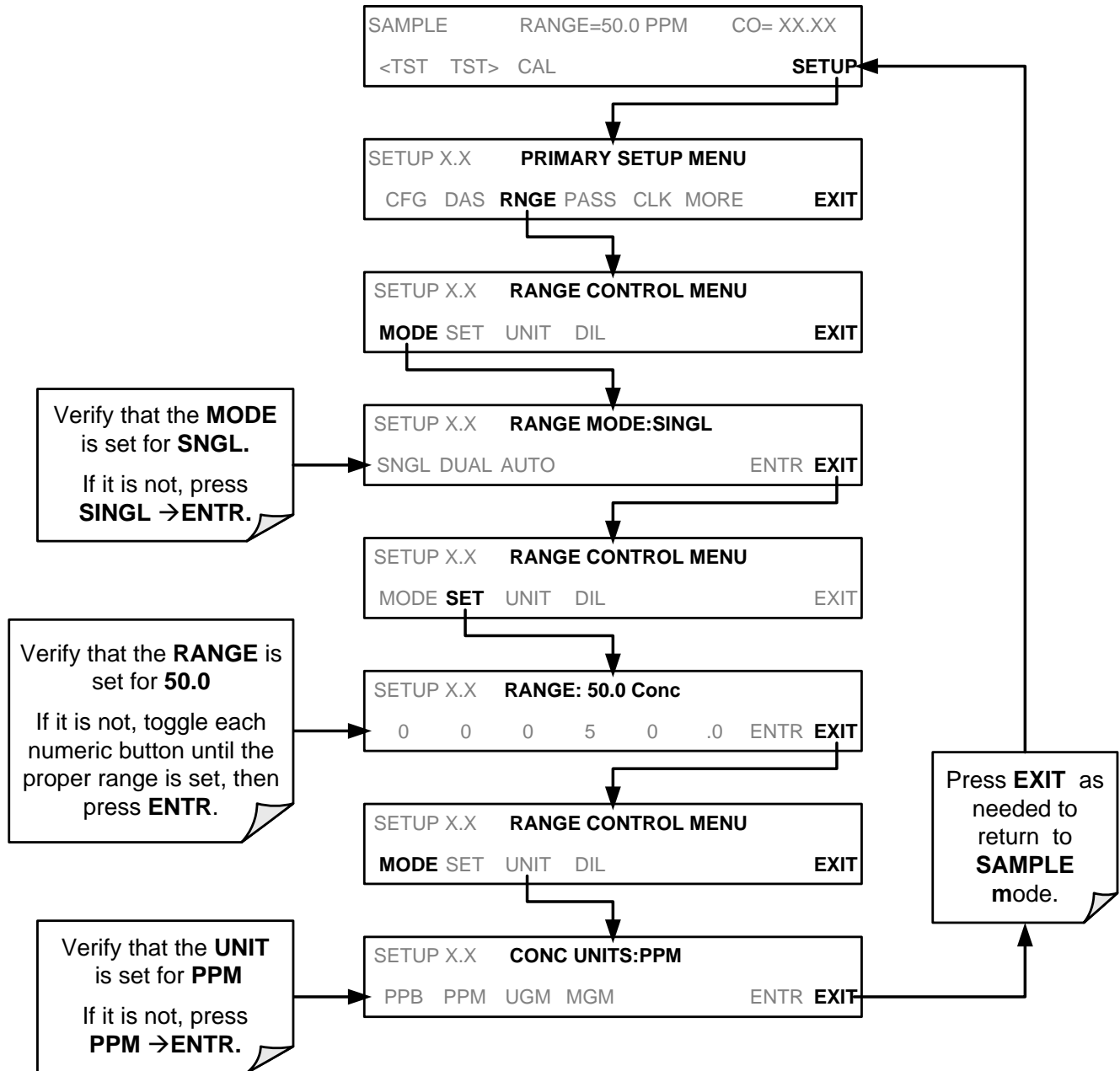
- The instrument DOES NOT have any of the available calibration valve or gas inlet options installed;
- Cal gas will be supplied through the SAMPLE gas inlet on the back of the analyzer (see Figure 3-4)
- The pneumatic setup matches that described in Section 3.3.2.1.

VERIFYING THE T300/T300M REPORTING RANGE SETTINGS

While it is possible to perform the following procedure with any range setting we recommend that you perform this initial checkout using following reporting range settings:

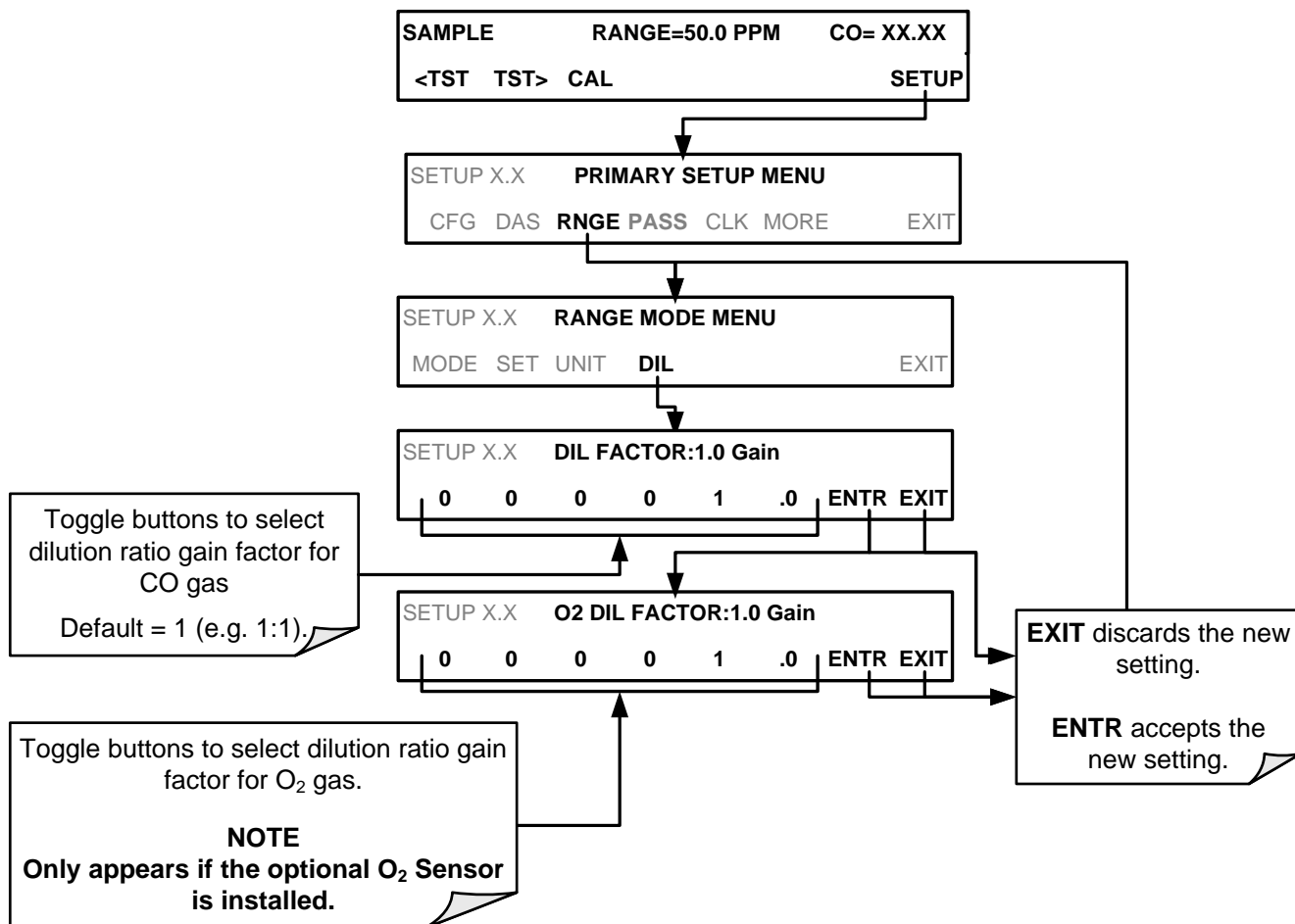
- Unit of Measure: PPM
- Analog Output Reporting Range: 50 ppm
- Mode Setting: SNGL

While these are the default setting for the T300/T300M Analyzer, it is recommended that you verify them before proceeding with the calibration procedure, by pressing:



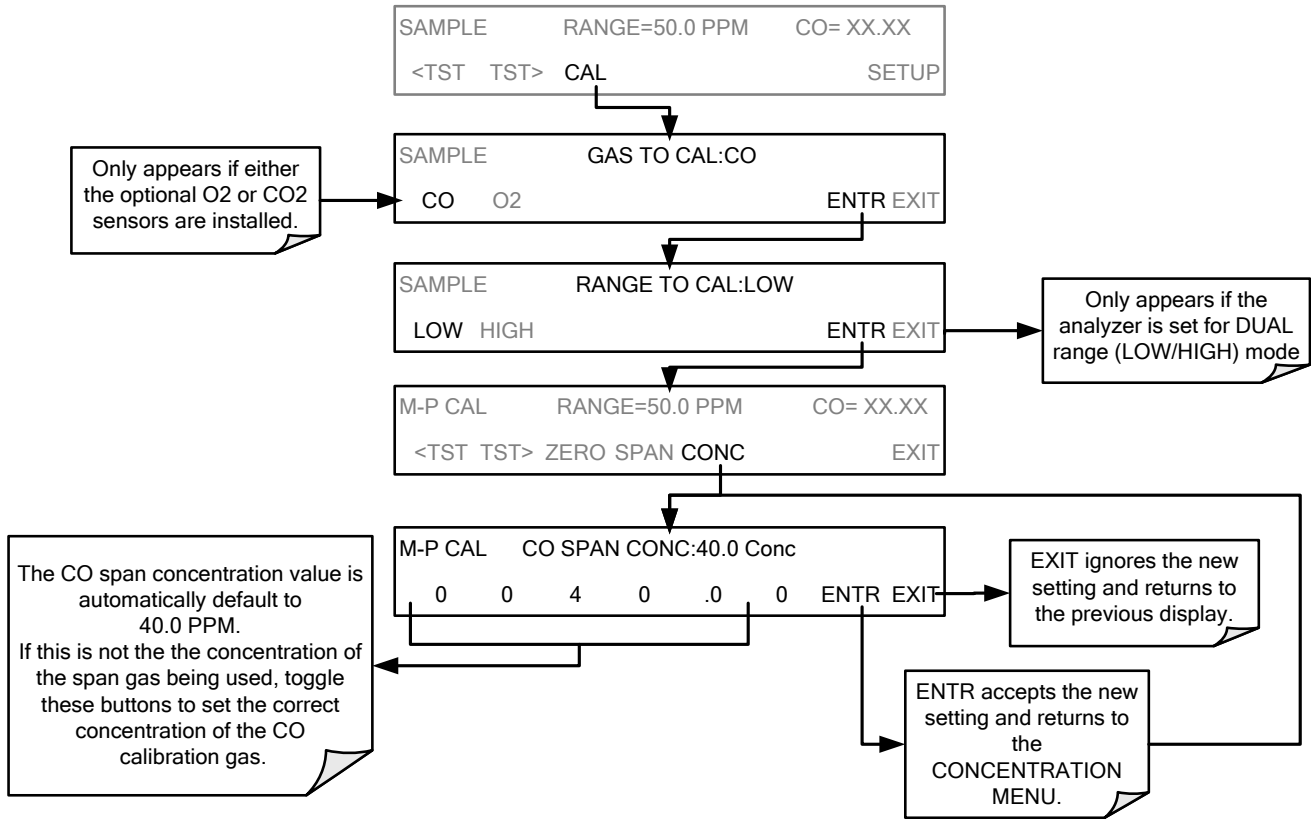
DILUTION RATIO SET UP

If the dilution ratio option is enabled on your T300/T300M Analyzer and your application involves diluting the sample gas before it enters the analyzer, set the dilution ratio as follows:



SET CO SPAN GAS CONCENTRATION

Set the expected CO span gas concentration. This should be 80-90% of range of concentration range for which the analyzer's analog output range is set.



ZERO/SPAN CALIBRATION

To perform the zero/span calibration procedure, press:

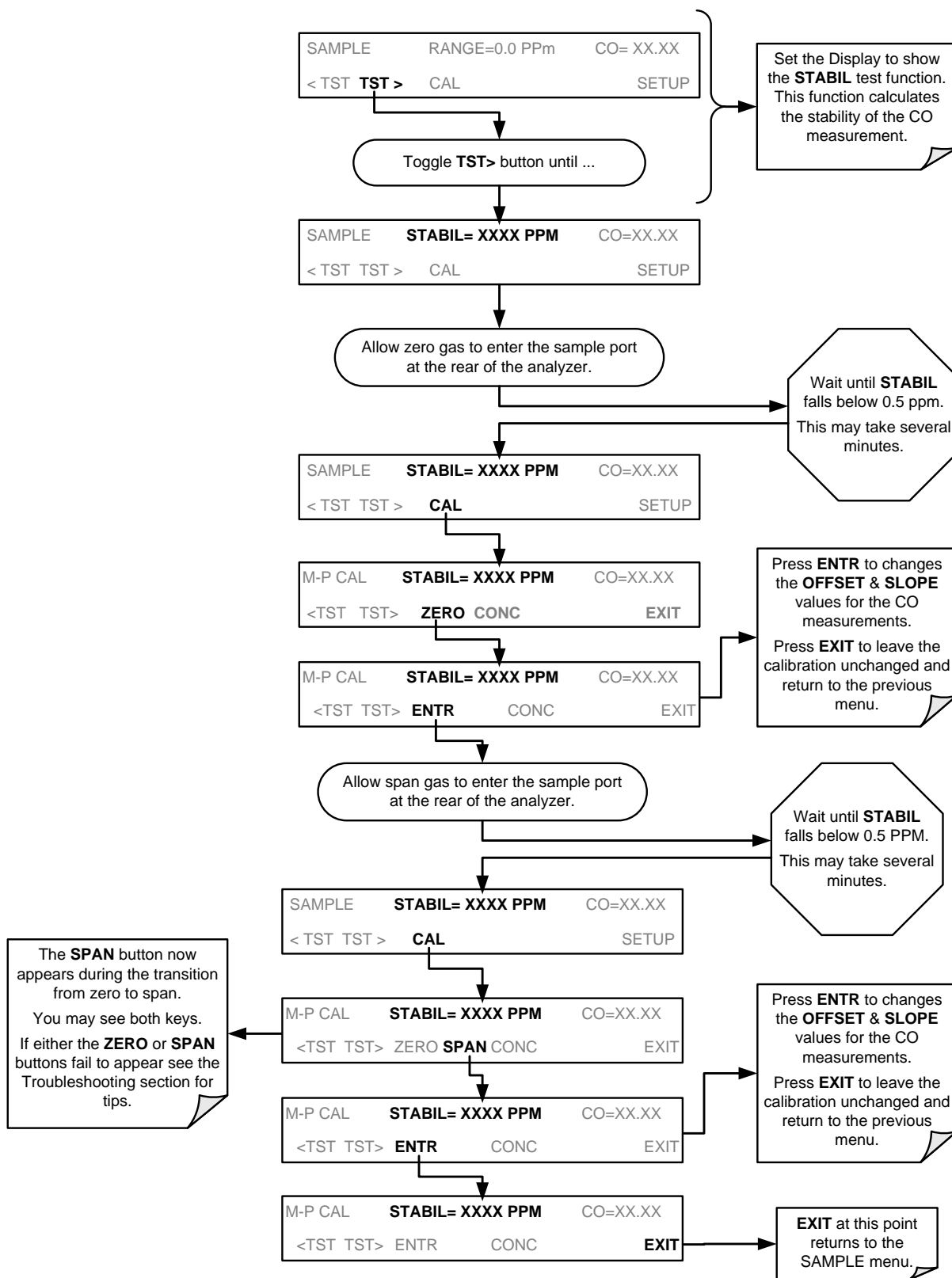


Figure 3-29: Zero/Span Calibration Procedure

3.4.4.3. O₂ SENSOR CALIBRATION PROCEDURE

If your T300/T300M is equipped with the optional O₂ sensor, this sensor should be calibrated during installation of the instrument. See Section 9.7.1 for instructions.

3.4.4.4. CO₂ SENSOR CALIBRATION PROCEDURE

If your T300/T300M is equipped with the optional CO₂ sensor, this sensor should be calibrated during installation of the instrument. See Section 9.7.2 for instructions.

Note

Once you have completed the above set-up procedures, please fill out the Quality Questionnaire that was shipped with your unit and return it to Teledyne ML. This information is vital to our efforts in continuously improving our service and our products. THANK YOU.

This page intentionally left blank.

PART II
OPERATING INSTRUCTIONS

4. OVERVIEW OF OPERATING MODES

To assist in navigating the analyzer's software, a series of menu trees can be found in Appendix A of this manual.

Note

Some control buttons on the touch screen do not appear if they are not applicable to the menu that you're in, the task that you are performing, the command you are attempting to send, or to incorrect settings input by the user. For example, the ENTR button may disappear if you input a setting that is invalid or out of the allowable range for that parameter, such as trying to set the 24-hour clock to 25:00:00. Once you adjust the setting to an allowable value, the ENTR button will re-appear.

The T300/T300M software has a variety of operating modes. Most commonly, the analyzer will be operating in **Sample Mode**. In this mode a continuous read-out of the CO concentration can be viewed on the front panel and output as an analog voltage from rear panel terminals, calibrations can be performed and TEST functions and WARNING messages can be examined. If the analyzer is configured to measure a second gas (e.g. CO along with O₂ or CO₂) the display will show readouts of both concentrations.

The second most important operating mode is SETUP mode. This mode is used for performing certain configuration operations, such as for the DAS system, the reporting ranges, or the serial (RS 232 / RS 485 / Ethernet) communication channels. The SETUP mode is also used for performing various diagnostic tests during troubleshooting.



Figure 4-1: Front Panel Display

The mode field of the front panel display indicates to the user which operating mode the unit is currently running.

Besides **SAMPLE** and **SETUP**, other modes the analyzer can be operated in are:

Table 4-1: Analyzer Operating Modes

MODE	EXPLANATION
DIAG	One of the analyzer's diagnostic modes is active (refer to Section 5.9).
LO CAL A	Unit is performing LOW SPAN (midpoint) calibration initiated automatically by the analyzer's AUTOCAL feature
LO CAL R	Unit is performing LOW SPAN (midpoint) calibration initiated remotely through the COM ports or digital control inputs.
M-P CAL	This is the basic calibration mode of the instrument and is activated by pressing the CAL button.
SAMPLE	Sampling normally, flashing text indicates adaptive filter is on.
SAMPLE A	Indicates that unit is in SAMPLE mode and AUTOCAL feature is activated.
SETUP X.#²	SETUP mode is being used to configure the analyzer. The gas measurement will continue during this process.
SPAN CAL A¹	Unit is performing SPAN calibration initiated automatically by the analyzer's AUTOCAL feature
SPAN CAL M¹	Unit is performing SPAN calibration initiated manually by the user.
SPAN CAL R¹	Unit is performing SPAN calibration initiated remotely through the COM ports or digital control inputs.
ZERO CAL A¹	Unit is performing ZERO calibration procedure initiated automatically by the AUTOCAL feature
ZERO CAL M¹	Unit is performing ZERO calibration procedure initiated manually by the user.
ZERO CAL R¹	Unit is performing ZERO calibration procedure initiated remotely through the COM ports or digital control inputs.

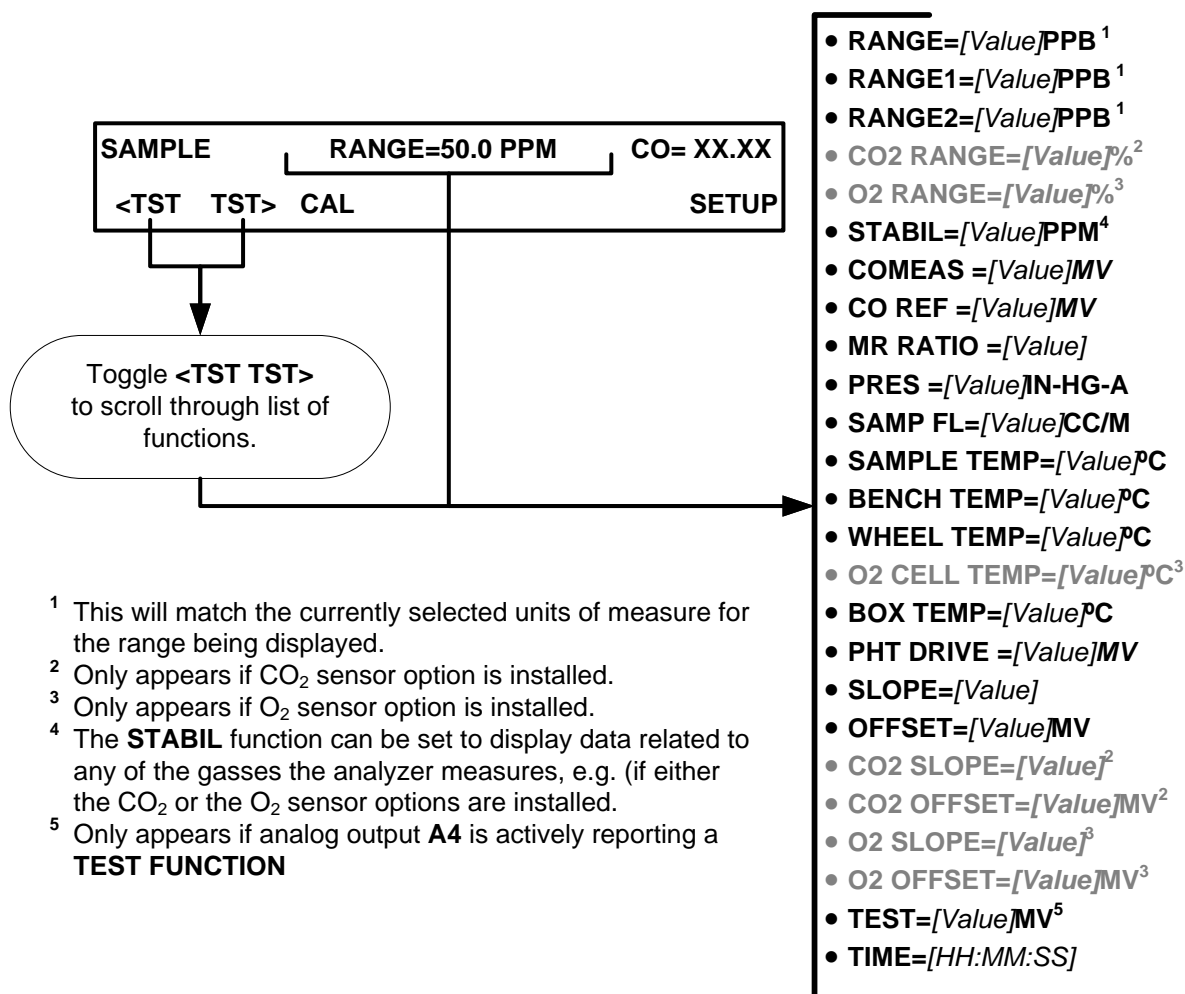
¹ Only Appears on units with Z/S valve or IZS options.
² The revision of the analyzer firmware is displayed following the word SETUP, e.g., SETUP G.3.

4.1. SAMPLE MODE

This is the analyzer's standard operating mode. In this mode the instrument is analyzing the gas in the sample chamber, calculating CO concentration and reporting this information to the user via the front panel display, the analog outputs and, if set up properly, the RS-232/RS-485/Ethernet/USB ports.

4.1.1. TEST FUNCTIONS

A series of **TEST** functions is available for viewing at the front panel whenever the analyzer is at the **SAMPLE** mode. These parameters provide information about the present operating status of the instrument and are useful during troubleshooting (refer to Section 12.1.2). They can also be recorded in one of the DAS channels (refer to Section 7.2) for data analysis. To view the test functions, press one of the <TST TST> buttons repeatedly in either direction.



¹ This will match the currently selected units of measure for the range being displayed.
² Only appears if CO₂ sensor option is installed.
³ Only appears if O₂ sensor option is installed.
⁴ The **STABIL** function can be set to display data related to any of the gasses the analyzer measures, e.g. (if either the CO₂ or the O₂ sensor options are installed).
⁵ Only appears if analog output **A4** is actively reporting a **TEST FUNCTION**

Figure 4-2: Viewing T300/T300M Test Functions

IMPORTANT

IMPACT ON READING OR DATA

A value of “XXXX” displayed for any of the TEST functions indicates an out-of-range reading or the analyzer’s inability to calculate it. All pressure measurements are represented in terms of absolute pressure. Absolute, atmospheric pressure is 29.92 in-Hg-A at sea level. It decreases about 1 in-Hg per 300 m gain in altitude. A variety of factors such as air conditioning and passing storms can cause changes in the absolute atmospheric pressure.

Table 4-2: Test Functions Defined

PARAMETER	DISPLAY TITLE	UNITS	MEANING
Stability	STABIL	PPB ³ , PPM UGM ³ , MGM	Standard deviation of CO concentration readings. Data points are recorded every ten seconds using the last 25 data points. This function can be reset to show O ₂ or CO ₂ stability in instruments with those sensor options installed.
Range	RANGE RANGE1¹ RANGE2¹	PPB, PPM, UGM, MGM	The full scale limit at which the reporting range of the analyzer is currently set. THIS IS NOT the Physical Range of the instrument. See Section 5.4.1 for more information.
O ₂ Range ¹	O ₂ RANGE	%	The range setting for the optional O ₂ Sensor.
CO ₂ Range ²	CO ₂ RANGE	%	The range setting for the optional CO ₂ Sensor.
CO Measure	CO MEAS	MV	The demodulated, peak IR detector output during the measure portion of the GFC Wheel cycle.
CO Reference	CO REF	MV	The demodulated, peak IR detector output during the reference portion of the GFC Wheel cycle.
Measurement / Reference Ratio	MR Ratio	-	The result of CO MEAS divided by CO REF . This ratio is the primary value used to compute CO concentration. The value displayed is not linearized.
Sample Pressure	PRES	In-Hg-A	The absolute pressure of the Sample gas as measured by a pressure sensor located inside the sample chamber.
Sample Flow	SAMPLE FL	cm ³ /min	Sample mass flow rate as measured by the flow rate sensor in the sample gas stream.
Sample Temperature	SAMP TEMP	°C	The temperature of the gas inside the sample chamber.
Bench Temperature	BENCH TEMP	°C	Optical bench temperature.
Wheel Temperature	WHEEL TEMP	°C	GFC Wheel temperature.
Box Temperature	BOX TEMP	°C	The temperature inside the analyzer chassis.
O ₂ Cell Temperature ¹	O ₂ CELL TEMP³	°C	The current temperature of the O ₂ sensor measurement cell.
Photo-detector Temp. Control Voltage	PHT DRIVE	mV	The drive voltage being supplied to the thermoelectric coolers of the IR photo-detector by the sync/demod Board.
Slope	SLOPE	-	The sensitivity of the instrument as calculated during the last calibration activity.
Offset	OFFSET	-	The overall offset of the instrument as calculated during the last calibration activity.
O ₂ Sensor Slope ¹	O ₂ SLOPE	-	O ₂ slope, computed during zero/span calibration.
O ₂ Sensor Offset ¹	O ₂ OFFSET	-	O ₂ offset, computed during zero/span calibration.
CO ₂ Sensor Slope ²	CO ₂ SLOPE	-	CO ₂ slope, computed during zero/span calibration.
CO ₂ Sensor Offset ²	CO ₂ OFFSET	-	CO ₂ offset, computed during zero/span calibration.
Current Time	TIME	-	The current time. This is used to create a time stamp on DAS readings, and by the AUTOCAL feature to trigger calibration events.

¹ Only appears when the optional O₂ sensor is installed.
² Only appears when the optional CO₂ sensor is installed.
³ Only available on the T300.

4.1.2. WARNING MESSAGES

The most common instrument failures will be reported as a warning on the analyzer's front panel and through the **COMM** ports. Section 12.1.1 explains how to use these messages to troubleshoot problems. Section 4.1.2 shows how to view and clear warning messages.

Table 4-3: List of Warning Messages

MESSAGE	MEANING
ANALOG CAL WARNING	The instrument's A/D circuitry or one of its analog outputs is not calibrated.
BENCH TEMP WARNING	The temperature of the optical bench is outside the specified limits.
BOX TEMP WARNING	The temperature inside the chassis is outside the specified limits.
CANNOT DYN SPAN²	Remote span calibration failed while the dynamic span feature was turned on.
CANNOT DYN ZERO³	Remote zero calibration failed while the dynamic zero feature was turned on.
CONC ALRM1 WARNING¹	Concentration alarm 1 is enabled and the measured CO level is \geq the set point.
CONC ALRM2 WARNING¹	Concentration alarm 2 is enabled and the measured CO level is \geq the set point.
CONFIG INITIALIZED	Configuration storage was reset to factory configuration or erased.
DATA INITIALIZED	DAS data storage was erased.
O₂ CELL TEMP WARN²	O ₂ sensor cell temperature outside of warning limits.
PHOTO TEMP WARNING	The temperature of the IR photo detector is outside the specified limits.
REAR BOARD NOT DET	The CPU is unable to communicate with the motherboard.
RELAY BOARD WARN	The firmware is unable to communicate with the relay board.
SAMPLE FLOW WARN	The flow rate of the sample gas is outside the specified limits.
SAMPLE PRESS WARN	Sample gas pressure outside of operational parameters.
SAMPLE TEMP WARN	The temperature of the sample gas is outside the specified limits.
SOURCE WARNING	The IR source may be faulty.
SYSTEM RESET¹	The computer was rebooted.
WHEEL TEMP WARNING	The gas filter correlation wheel temperature is outside the specified limits.
¹ Alarm warnings only present when optional alarm package is activated.	
² Only enabled when the optional O ₂ Sensor is installed.	

To view and clear warning messages:

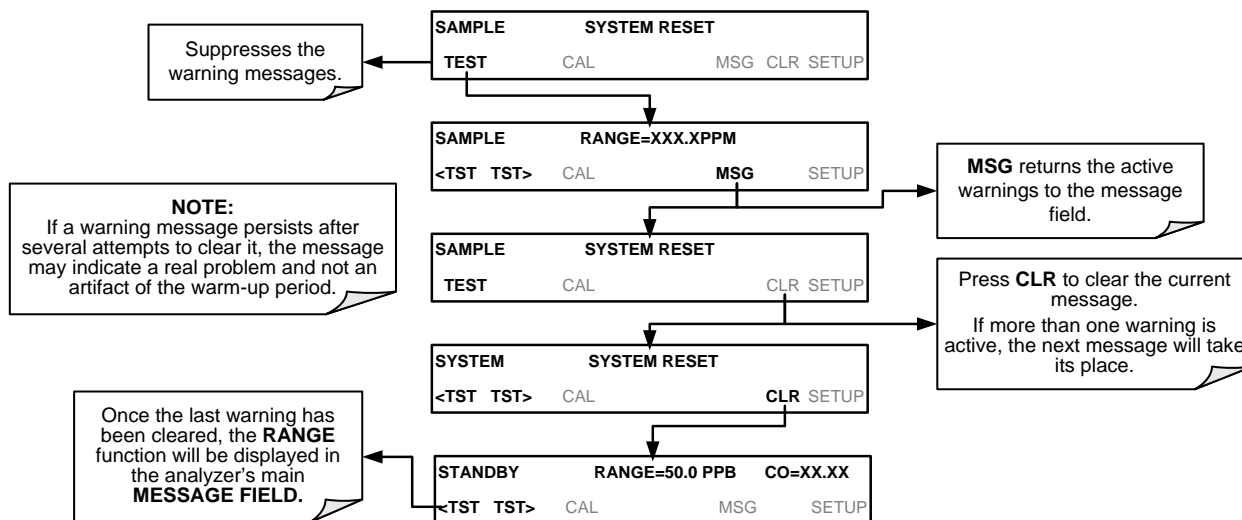


Figure 4-3: Viewing and Clearing T300/T300M WARNING Messages

4.2. CALIBRATION MODE

Pressing the CAL button switches the T300/T300M into calibration mode. In this mode the user can calibrate the instrument with the use of calibrated zero or span gases. This mode is also used to check the current calibration status of the instrument.

- For more information about setting up and performing standard calibration operations or checks, see Section 9.
- For more information about setting up and performing EPA equivalent calibrations, see Section 10.

If the instrument includes one of the available zero/span valve options, the **SAMPLE** mode display will also include **CALZ** and **CALS** buttons. Pressing either of these buttons also puts the instrument into calibration mode.

- The **CALZ** button is used to initiate a calibration of the analyzer's zero point using internally generated zero air.
- The **CALS** button is used to calibrate the span point of the analyzer's current reporting range using span gas.

For more information concerning calibration valve options, see Table 1-1.

For information on using the automatic calibration feature (**ACAL**) in conjunction with the one of the calibration valve options, see Section 9.4.

IMPORTANT

IMPACT ON READINGS OR DATA

It is recommended that this span calibration be performed at 80-90% of full scale of the analyzer's currently selected reporting range. **EXAMPLES:** If the reporting range is set for 0 to 50 ppm, an appropriate span point would be 40-45 ppm. If the of the reporting range is set for 0 to 1000 ppb, an appropriate span point would be 800-900 ppb.

4.3. SETUP MODE

The **SETUP** mode contains a variety of choices that are used to configure the analyzer's hardware and software features, perform diagnostic procedures, gather information on the instrument's performance, and configure or access data from the internal data acquisition system (DAS). For a visual representation of the software menu trees, refer to Appendix A.

Setup Mode is divided between Primary and Secondary Setup menus and can be protected through password security.

4.3.1. PASSWORD SECURITY

Setup Mode can be protected by password security through the **SETUP>PASS** menu (Section 5.5) to prevent unauthorized or inadvertent configuration adjustments.

4.3.2. PRIMARY SETUP MENU

4.3.3. THE AREAS ACCESSIBLE UNDER THE Setup MODE ARE SHOWN IN TABLE 4-4 AND SECONDARY SETUP MENU (SETUP>MORE)

Table 4-4: Primary Setup Mode Features and Functions

MODE OR FEATURE	CONTROL BUTTON	DESCRIPTION	MANUAL SECTION
Analyzer Configuration	CFG	Lists button hardware and software configuration information	5
Auto Cal Feature	ACAL	Used to set up and operate the AutoCal feature. Only appears if the analyzer has one of the internal valve options installed.	5.2 and 9.4
Internal Data Acquisition (DAS)	DAS	Used to set up the DAS system and view recorded data	7
Analog Output Reporting Range Configuration	RNGE	Used to configure the output signals generated by the instruments Analog outputs.	5.7
Calibration Password Security	PASS	Turns the calibration password feature ON/OFF.	5.3
Internal Clock Configuration	CLK	Used to Set or adjust the instrument's internal clock.	5.6
Advanced SETUP features	MORE	This button accesses the instruments secondary setup menu.	See Table 6-5

4.3.4. SECONDARY SETUP MENU (SETUP>MORE)

Table 4-5: Secondary Setup Mode (SETUP>MORE) Features and Functions

MODE OR FEATURE	CONTROL BUTTON	DESCRIPTION	MANUAL SECTION
External Communication Channel Configuration	COMM	Used to set up and operate the analyzer's various serial channels including RS-232, RS-485, modem communication, Ethernet and/or USB.	5.7
System Status Variables	VARS	Used to view various variables related to the instruments current operational status. <ul style="list-style-type: none"> Changes made to any variable are not recorded in the instrument's memory until the ENTR button is pressed. Pressing the EXIT button ignores the new setting. 	5.8
System Diagnostic Features and Analog Output Configuration	DIAG	Used to access a variety of functions that are used to configure, test or diagnose problems with a variety of the analyzer's basic systems. Most notably, the menus used to configure the output signals generated by the instruments Analog outputs are located here.	5.9
Alarm Limit Configuration ¹	ALRM	Used to turn the instrument's two alarms on and off as well as set the trigger limits for each.	5.10
¹ Alarm warnings only present when optional alarm package is activated.			

IMPORTANT

IMPACT ON READINGS OR DATA

Any changes made to a variable during the SETUP procedures are not acknowledged by the instrument until the ENTR button is pressed. If the EXIT button is pressed before the ENTR button, the analyzer will beep, alerting the user that the newly entered value has not been accepted.

5. SETUP MENU

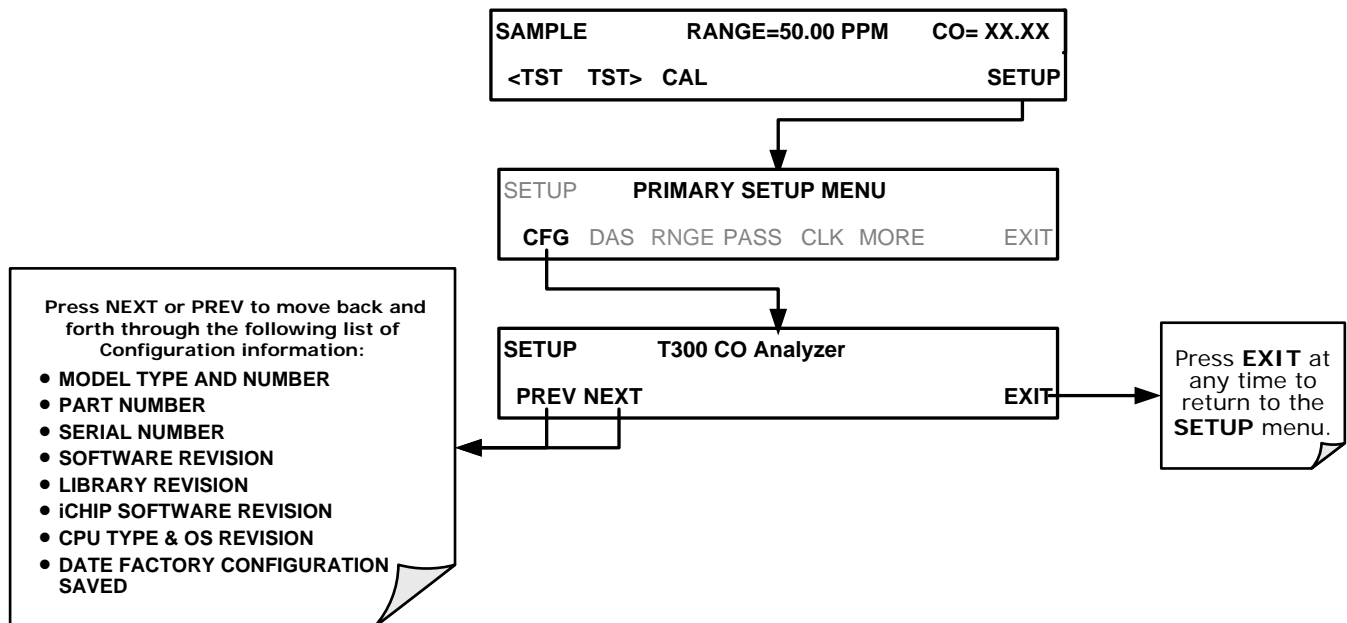
The SETUP menu is used to set instrument parameters for performing configuration, calibration, reporting and diagnostics operations according to user needs.

5.1. SETUP → CFG: CONFIGURATION INFORMATION

Pressing the **CFG** button displays the instrument's configuration information. This display lists the analyzer model, serial number, firmware revision, software library revision, CPU type and other information.

- Special instrument or software features or installed options may also be listed here.
- Use this information to identify the software and hardware installed in your T300/T300M Analyzer when contacting customer service.

To access the configuration table, press:

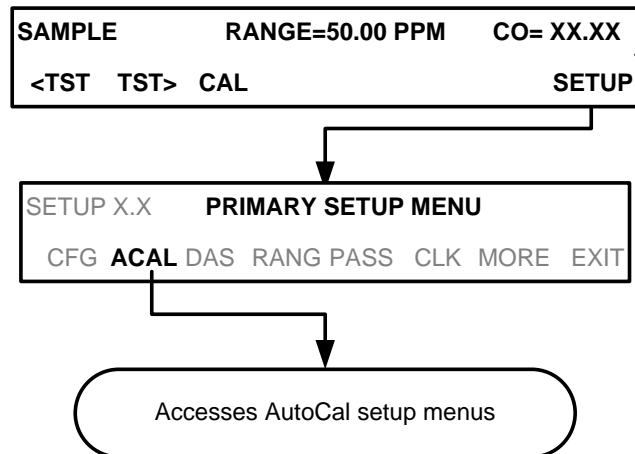


5.2. SETUP → ACAL: AUTOMATIC CALIBRATION

Instruments with one of the internal valve options installed can be set to automatically run calibration procedures and calibration checks. These automatic procedures are programmed using the submenus and functions found under the **ACAL** menu.

A menu tree showing the **ACAL** menu's entire structure can be found in Appendix A-1 of this manual.

Instructions for using the **ACAL** feature are located in the Section 9.4 of this manual along with all other information related to calibrating the T300/T300M Analyzer.



5.3. SETUP → DAS: INTERNAL DATA ACQUISITION SYSTEM

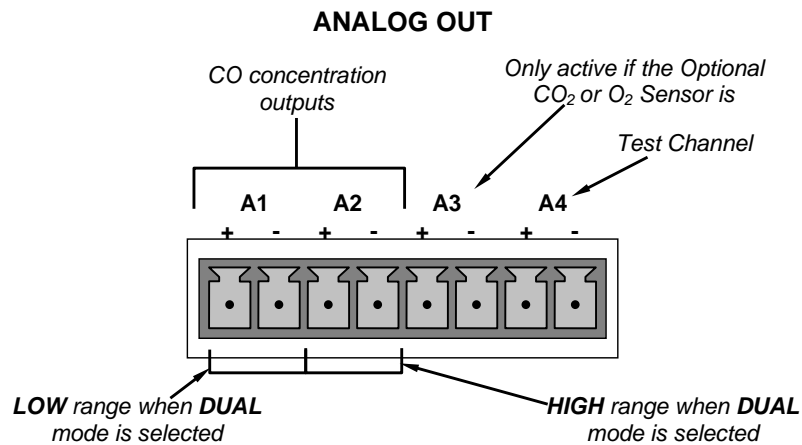
Use the SETUP>DAS menu to capture and record data. Refer to Section 7 for configuration and operation details.

5.4. SETUP → RNGE: ANALOG OUTPUT REPORTING RANGE CONFIGURATION

Use the SETUP>RNGE menu to configure output reporting ranges, including scaled reporting ranges to handle data resolution challenges. This section also describes configuration for Single, Dual, and Auto Range modes.

5.4.1. ANALOG OUTPUT RANGES FOR CO CONCENTRATION

The analyzer has several active analog output signals, accessible through the ANALOG OUT connector on the rear panel.



The outputs can be configured either at the factory or by the user for full scale outputs of 0.1 VDC, 1VDC, 5VDC or 10VDC.

Additionally, **A1**, **A2** and **A3** may be equipped with optional 0-20 mA DC current loop drivers and configured for any current output within that range (e.g. 0-20, 2-20, 4-20, etc.). The user may also adjust the signal level and scaling of the actual output voltage or current to match the input requirements of the recorder or datalogger (See Section 5.9.3.9).

In its basic configuration, the **A1** and **A2** channels output a signal that is proportional to the CO concentration of the sample gas. Several modes are available which allow them to operate independently or be slaved together (See Section 5.4.3).

EXAMPLE:

A1 OUTPUT: Output Signal = 0-5 VDC representing 0-1000 ppm concentration values

A2 OUTPUT: Output Signal = 0 – 10 VDC representing 0-500 ppm concentration values.

Output **A3** is only active if the CO₂ or O₂ sensor option is installed. In this case a signal representing the currently measured CO₂ or O₂ concentration is output on this channel.

The output, labeled **A4** is special. It can be set by the user (See Section 5.9.8.1) to output several of the test functions accessible through the <TST TST> buttons of the units sample display.

5.4.2. PHYSICAL RANGE VS ANALOG OUTPUT REPORTING RANGES

Functionally, the T300 CO Analyzers have one PHYSICAL RANGE that is capable of determining CO concentrations between across a very wide array of values.

Table 5-1: T300 Family Physical Range by Model

MODEL	RANGE
T300	0 – 1000 ppm
T300M	0 – 5000 ppm

This architecture improves reliability and accuracy by avoiding the need for extra, switchable, gain-amplification circuitry. Once properly calibrated, the analyzer's front panel will accurately report concentrations along the entire span of its physical range.

Because many applications use only a small part of the analyzer's full physical range, this can create data resolution problems for most analog recording devices. For example, in an application where a T300 is being used to measure an expected concentration of typically less than 50 ppm CO, the full scale of expected values is only 4% of the instrument's full 1000 ppm measurement range. Unmodified, the corresponding output signal would also be recorded across only 2.5% of the range of the recording device.

The T300/T300M Analyzers solve this problem by allowing the user to select a scaled reporting range for the analog outputs that only includes that portion of the physical range relevant to the specific application.

Only this REPORTING RANGE of the analog outputs is scaled; the physical range of the analyzer and the readings displayed on the front panel remain unaltered.

Note

Neither the DAS values stored in the CPU's memory nor the concentration values reported on the front panel are affected by the settings chosen for the reporting range(s) of the instrument.

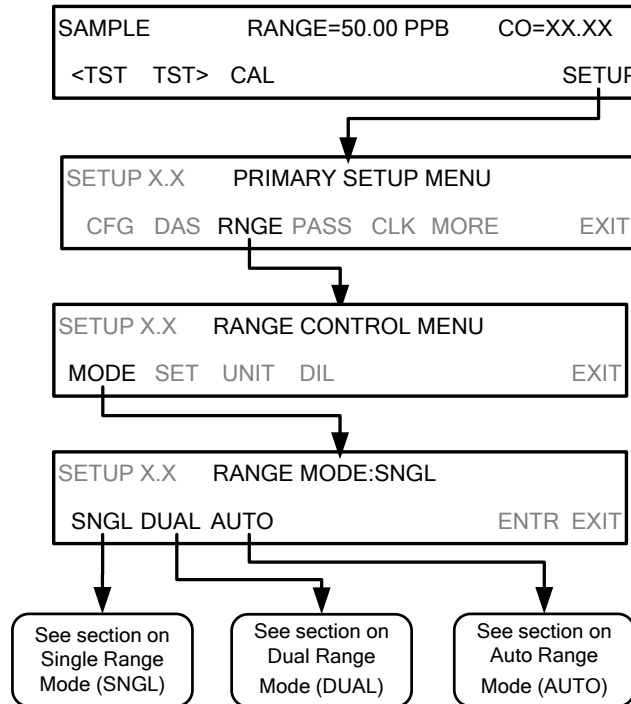
5.4.3. REPORTING RANGE MODES: SINGLE, DUAL, AUTO RANGES

The T300/T300M provides three analog output range modes to choose from.

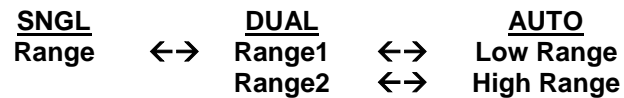
- Single range (**SNGL**) mode sets a single maximum range for the analog output. If single range is selected both outputs are slaved together and will represent the same measurement span (e.g. 0-50 ppm), however their electronic signal levels may be configured for different ranges (e.g. 0-10 VDC vs. 0-.1 VDC).
- Dual range (**DUAL**) allows the A1 and A2 outputs to be configured with different measurement spans as well as separate electronic signal levels.
- Auto range (**AUTO**) mode gives the analyzer the ability to output data via a low range and high range. When this mode is selected the analyzer will automatically switch between the two ranges dynamically as the concentration value fluctuates.

Range status is also output via the external digital I/O status outputs (See Section 3.3.1.4).

To select the Analog Output Range Type press:



Upper span limit setting for the individual range modes are shared. Resetting the span limit in one mode also resets the span limit for the corresponding range in the other modes as follows:



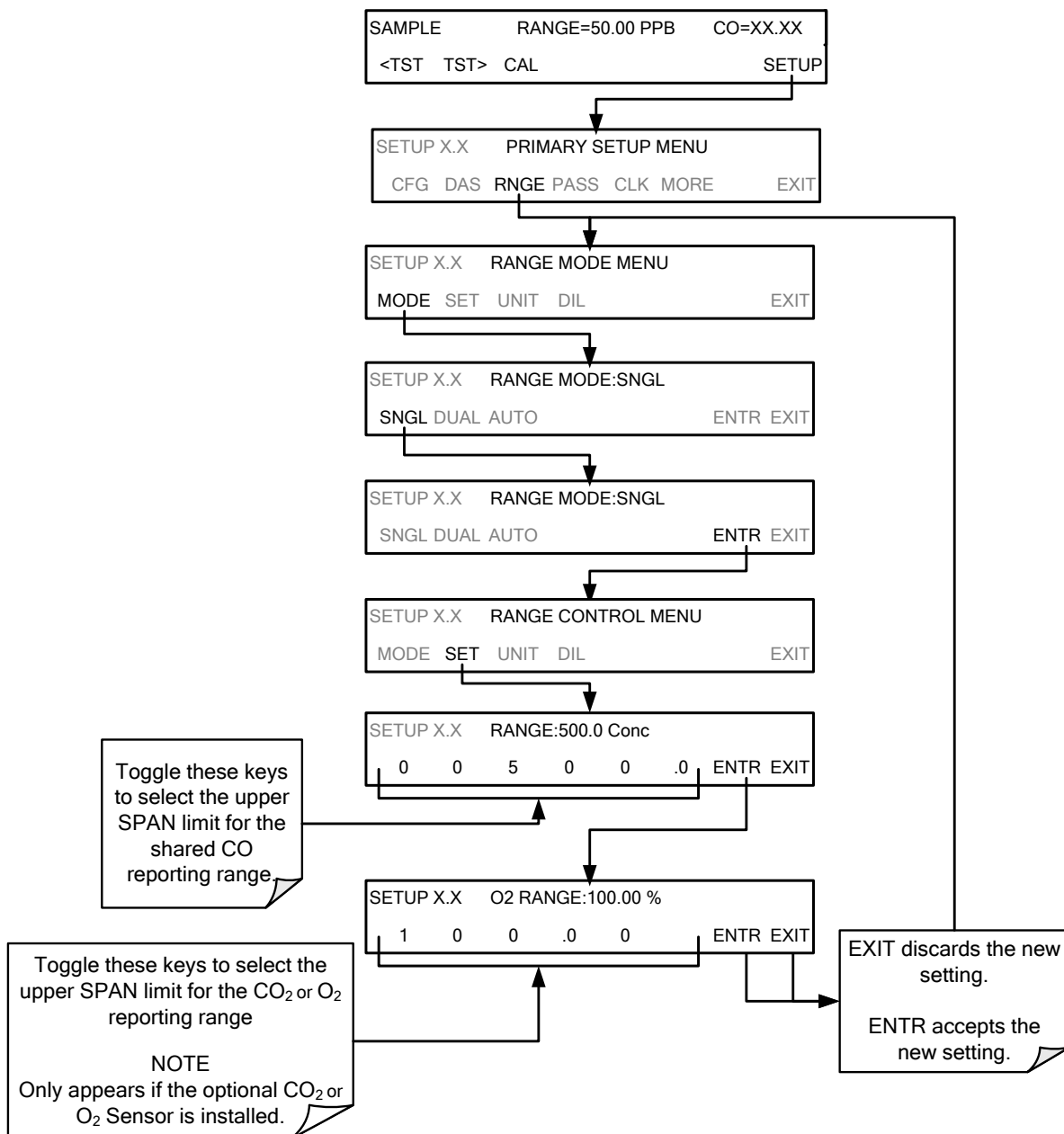
5.4.3.1. SINGLE RANGE MODE (SNGL)

Single Range Mode (SNGL) is the default reporting range mode for the analyzer.

When the single range mode is selected (**SNGL**), all analog CO concentration outputs (**A1 and A2**) are slaved together and set to the same reporting range limits (e.g. 500.0 ppb). The span limit of this reporting range can be set to any value within the physical range of the analyzer.

Although both outputs share the same concentration reporting range, the electronic signal ranges of the analog outputs may still be configured for different values (e.g. 0-5 VDC, 0-10 VDC, etc; see Section 5.9.3.1)

To select **SNGL** range mode and to set the upper limit of the range, press:



5.4.3.2. DUAL RANGE MODE (DUAL)

Selecting the **DUAL** range mode allows the **A1** and **A2** outputs to be configured with different reporting ranges. The analyzer software calls these two ranges low and high.

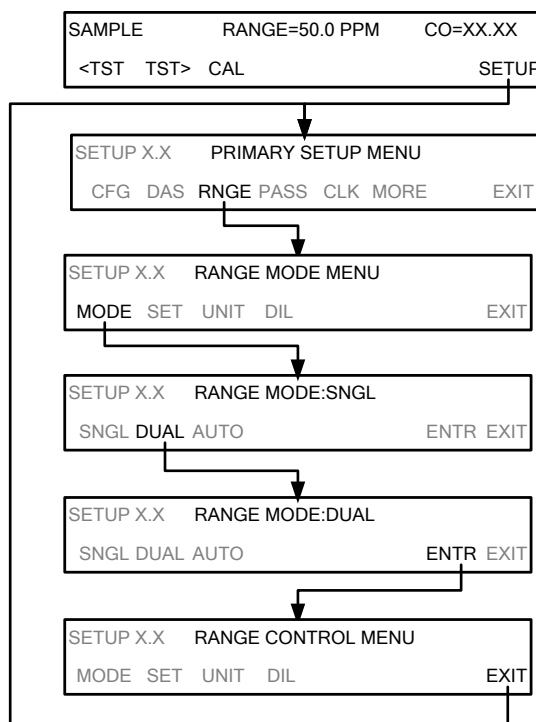
- The **LOW** range setting corresponds with the analog output labeled **A1** on the rear panel of the instrument.
- The **HIGH** range setting corresponds with the **A2** output.

While the software names these two ranges low and high, they do not have to be configured that way. For example: The low range can be set for a span of 0-1000 ppm while the high range is set for 0-500 ppm.

In **DUAL** range mode the **RANGE** test function displayed on the front panel will be replaced by two separate functions:

- **RANGE1**: The range setting for the A1 output.
- **RANGE2**: The range setting for the A2 output.

To select the **DUAL** range mode press following buttonstroke sequence



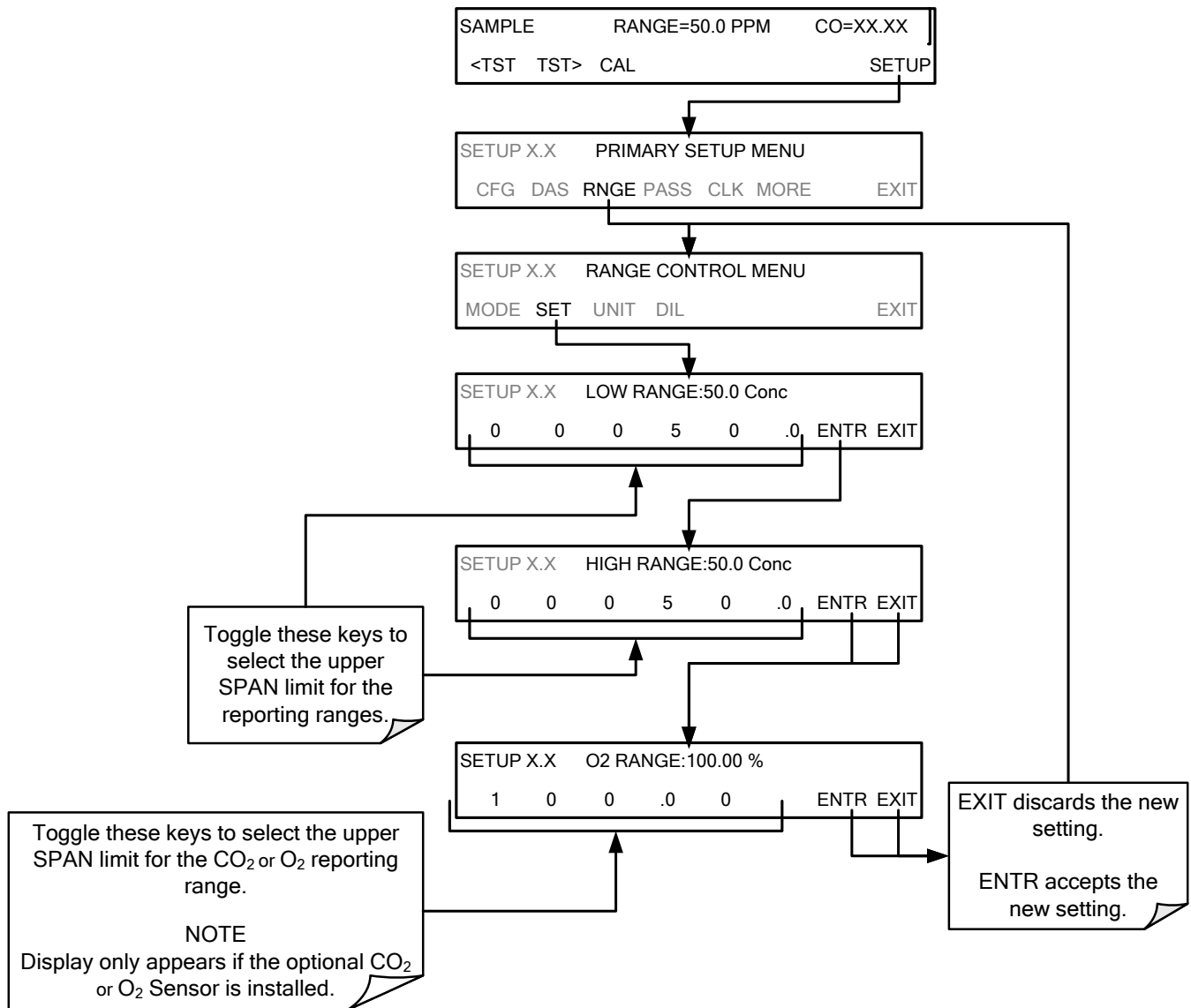
When the instrument's range mode is set to **DUAL**, the concentration field in the upper right hand corner of the display alternates between displaying the low range value and the high range value. The concentration currently being displayed is identified as follows: **C1= LOW** (or **A1**) and **C2 = HIGH** (or **A2**).

IMPORTANT

IMPACT ON READINGS OR DATA

In **DUAL** range mode the **LOW** and **HIGH** ranges have separate slopes and offsets for computing CO concentrations. The two ranges must be independently calibrated.

To set the upper range limit for each independent reporting range, press:



5.4.3.3. AUTO RANGE MODE (AUTO)

In **AUTO** range mode, the analyzer automatically switches the reporting range between two user-defined ranges (low and high).

- The unit will switch from low range to high range when the CO₂ concentration exceeds 98% of the low range span.
- The unit will return from high range back to low range once both the CO₂ concentration falls below 75% of the low range span.

In **AUTO** Range Mode the instrument reports the same data in the same range on both the **A1** and **A2** outputs and automatically switches both outputs between ranges as described above. Also the **RANGE** test function displayed on the front panel will be replaced by two separate functions:

- **RANGE1**: The **LOW** range setting for all analog outputs.
- **RANGE2**: The **HIGH** range setting for all analog outputs.

The high/low range status is also reported through the external, digital status bits (See Section 3.3.1.4).

To set individual ranges press the following control button sequence.

Avoid accidentally setting the **LOW** range (**RANGE1**) of the instrument with a higher span limit than the **HIGH** range (**RANGE2**). This will cause the unit to stay in the low reporting range perpetually and defeat the function of the **AUTO** range mode.

The **LOW** and **HIGH** ranges have separate slopes and offsets for computing the CO concentration. The two ranges must be independently calibrated.

Toggle these buttons to select the upper **SPAN** limit for the reporting range.

SAMPLE RANGE=50.0 PPM CO=XX.XX
<TST TST> CAL SETUP

SETUP X.X PRIMARY SETUP MENU
CFG DAS RNGE PASS CLK MORE EXIT

SETUP X.X RANGE MODE MENU
MODE SET UNIT DIL EXIT

SETUP X.X RANGE MODE:SNGL
SNGL DUAL AUTO DIL ENTR EXIT

SETUP X.X RANGE MODE:AUTO
SNGL DUAL AUTO ENTR EXIT

SETUP X.X RANGE CONTROL MENU
MODE SET UNIT DIL EXIT

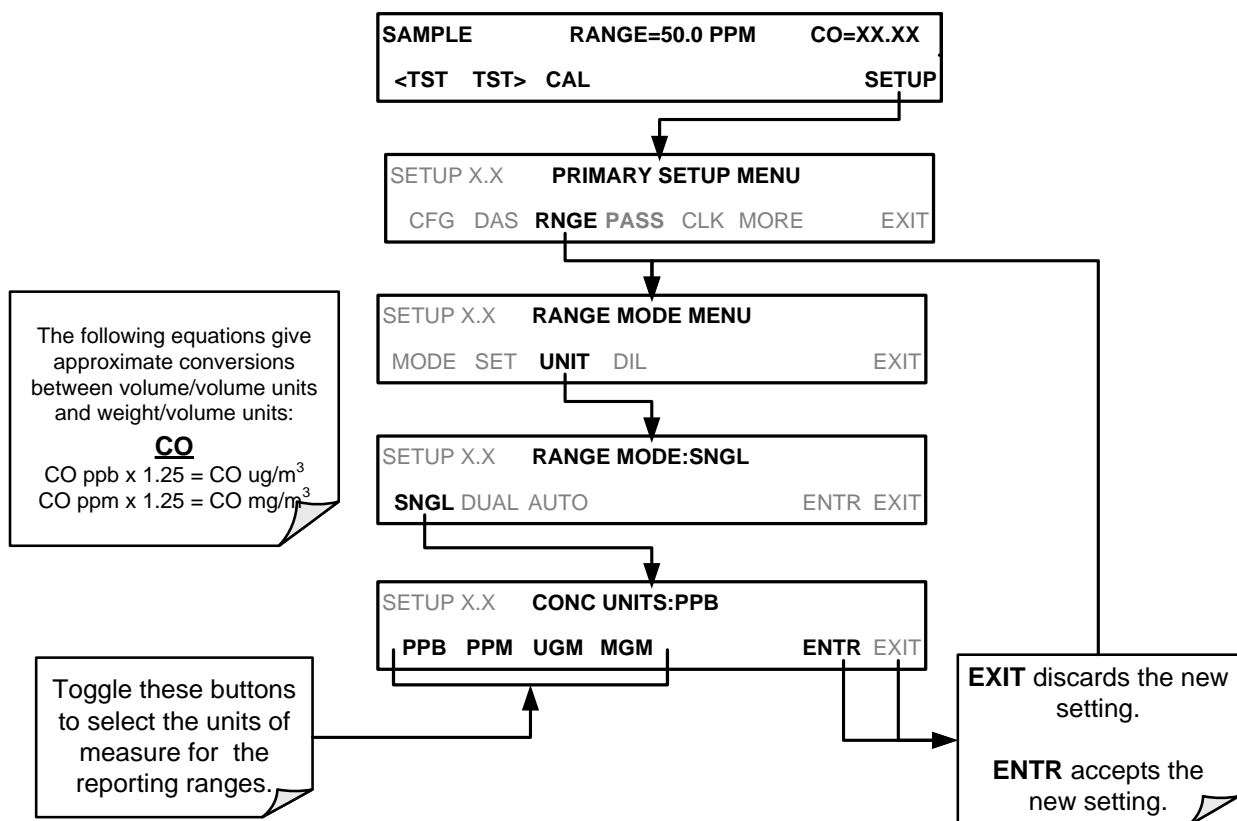
SETUP X.X LOW RANGE:50.0 Conc
0 0 0 5 0 .0 ENTR EXIT

SETUP X.X HIGH RANGE:200.0 Conc
0 0 2 0 0 .0 ENTR EXIT

EXIT discards the new setting.
ENTR accepts the new setting.

5.4.4. RANGE UNITS

The T300/T300M can display concentrations in parts per million (10^6 mols per mol, PPM) or milligrams per cubic meter (mg/m^3 , MG). Changing units affects all of the display, COMM port and DAS values for all reporting ranges regardless of the analyzer's range mode. To change the concentration units:



IMPORTANT

IMPACT ON READINGS OR DATA

In order to avoid a reference temperature bias, the analyzer must be recalibrated after every change in reporting units.

IMPORTANT

IMPACT ON READINGS OR DATA

Concentrations displayed in mg/m^3 and ug/m^3 use 0°C and 760 mmHg for Standard Temperature and Pressure (STP). Consult your local regulations for the STP used by your agency.

(Example: US EPA uses 25°C as the reference temperature).

Once the Units of Measurement have been changed from volumetric (ppb or ppm) to mass units ($\mu\text{g}/\text{m}^3$ or mg/m^3) the analyzer **MUST** be recalibrated, as the "expected span values" previously in effect will no longer be valid. Simply entering new expected span values without running the entire calibration routine **IS NOT** sufficient.

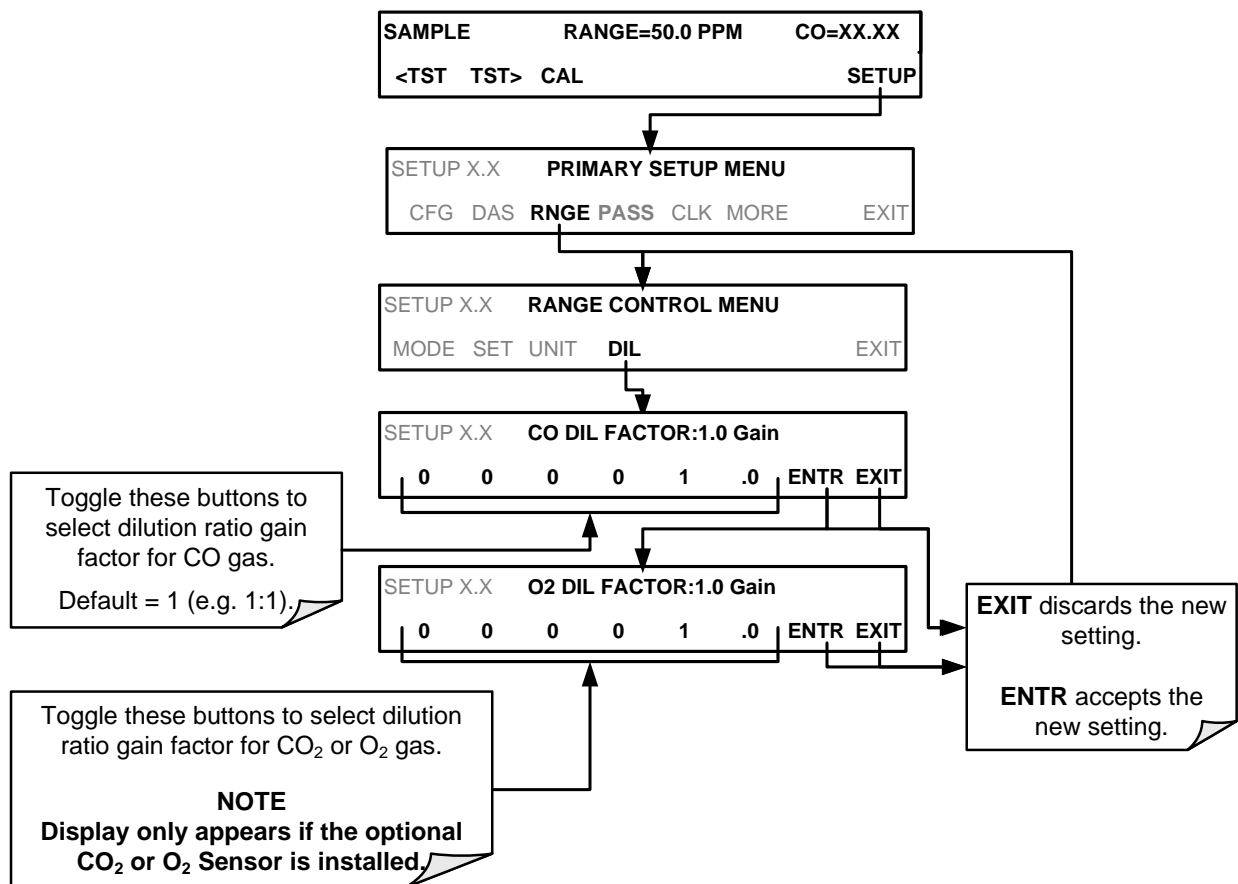
This will also counteract any discrepancies between STP definitions.

5.4.5. DILUTION RATIO (OPTION)

This feature is an optional software utility that allows the user to compensate for any dilution of the sample gas that may occur before it enters the sample inlet. Typically this occurs in continuous emission monitoring (CEM) applications where the sampling method used to remove the gas from the stack dilutes it.

Using the dilution ratio option is a 4-step process:

1. Select the appropriate units of measure (see Section 5.4.4).
2. Select the reporting range mode and set the reporting range upper limit (see Section 5.4.3).
 - Ensure that the upper span limit entered for the reporting range is the maximum expected concentration of the **UNDILUTED** gas.
3. Set the dilution factor as a gain (e.g., a value of 20 means 20 parts diluent and 1 part of sample gas):



4. Calibrate the analyzer.
 - Make sure that the calibration span gas is either supplied through the same dilution system as the sample gas or has an appropriately lower actual concentration.

EXAMPLE: If the reporting range limit is set for 100 ppm and the dilution ratio of the sample gas is 20 gain, either:

- a span gas with the concentration of 100 ppm can be used if the span gas passes through the same dilution steps as the sample gas, or;
- a 5 ppm span gas must be used if the span gas **IS NOT** routed through the dilution system.

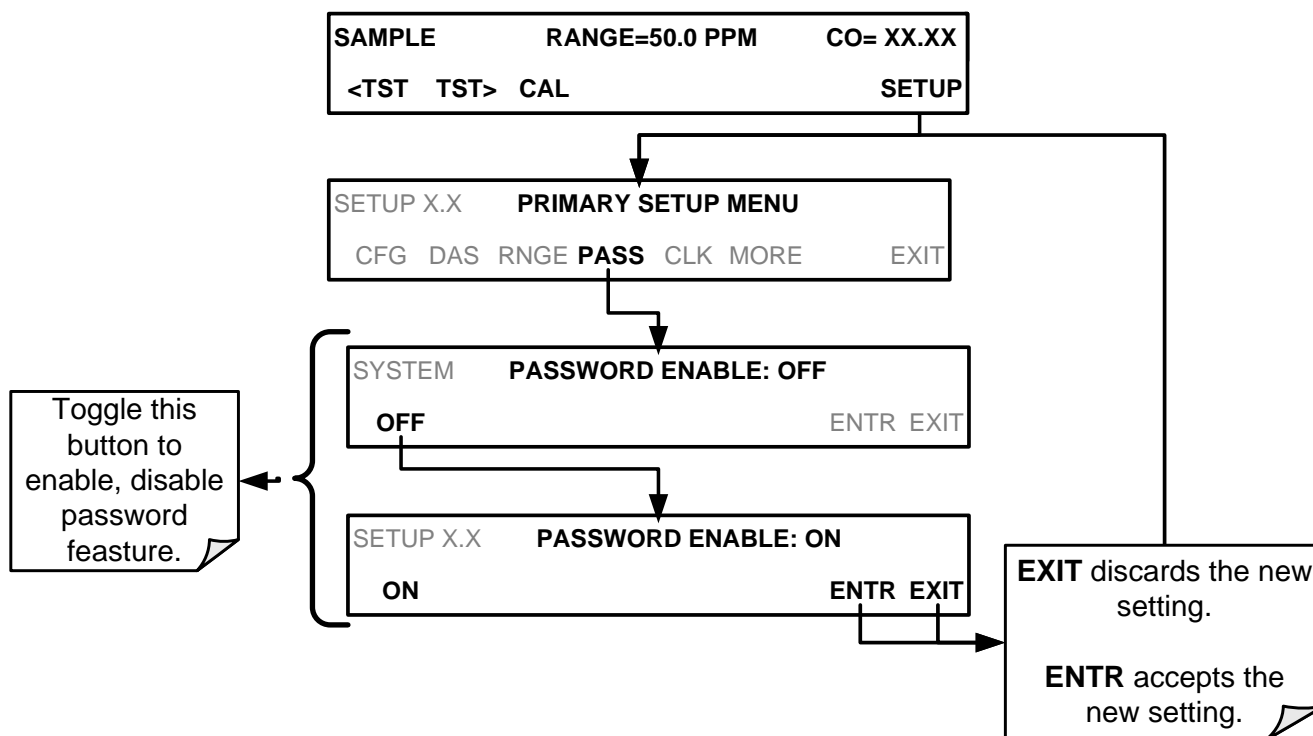
5.5. SETUP → PASS: PASSWORD PROTECTION

The menu system provides password protection of the calibration and setup functions to prevent unauthorized adjustments. When the passwords have been enabled in the **PASS** menu item, the system will prompt the user for a password anytime a password-protected function (e.g., **SETUP**) is selected. This allows normal operation of the instrument, but requires the password (101) to access to the menus under **SETUP**. When **PASSWORD** is disabled (**SETUP>OFF**), any operator can enter the Primary Setup (**SETUP**) and Secondary Setup (**SETUP>MORE**) menus. Whether **PASSWORD** is enabled or disabled, a password (default 818) is required to enter the **VARs** or **DIAG** menus in the **SETUP>MORE** menu.

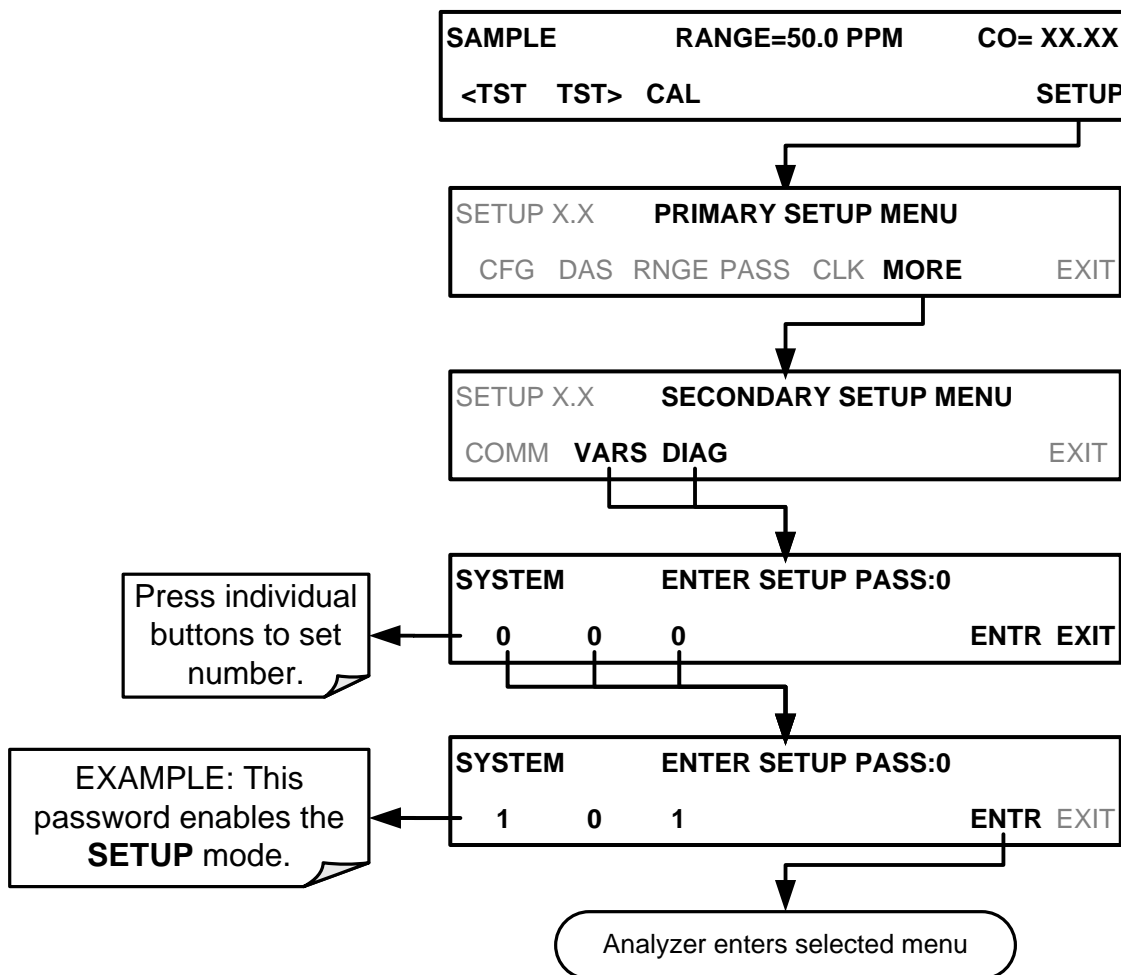
Table 5-2: Password Levels

PASSWORD	LEVEL	MENU ACCESS ALLOWED
Null (000)	Operation	All functions of the main menu (top level, or Primary, menu)
101	Configuration/Maintenance	Access to Primary and Secondary SETUP Menus when PASSWORD is enabled
818	Configuration/Maintenance	Access to Secondary SETUP Submenus VARs and DIAG whether PASSWORD is enabled or disabled.

To enable or disable passwords, press:



If the password feature is enabled, then when entering either Calibration or Setup Mode, the default password displayed will be 000, and the new password must be input. Example: If all passwords are enabled, the following control button sequence would be required to enter the **SETUP** menu:

**Note**

The instrument still prompts for a password when entering the VARS and DIAG menus, even if passwords are disabled. It will display the default password (818) upon entering these menus.

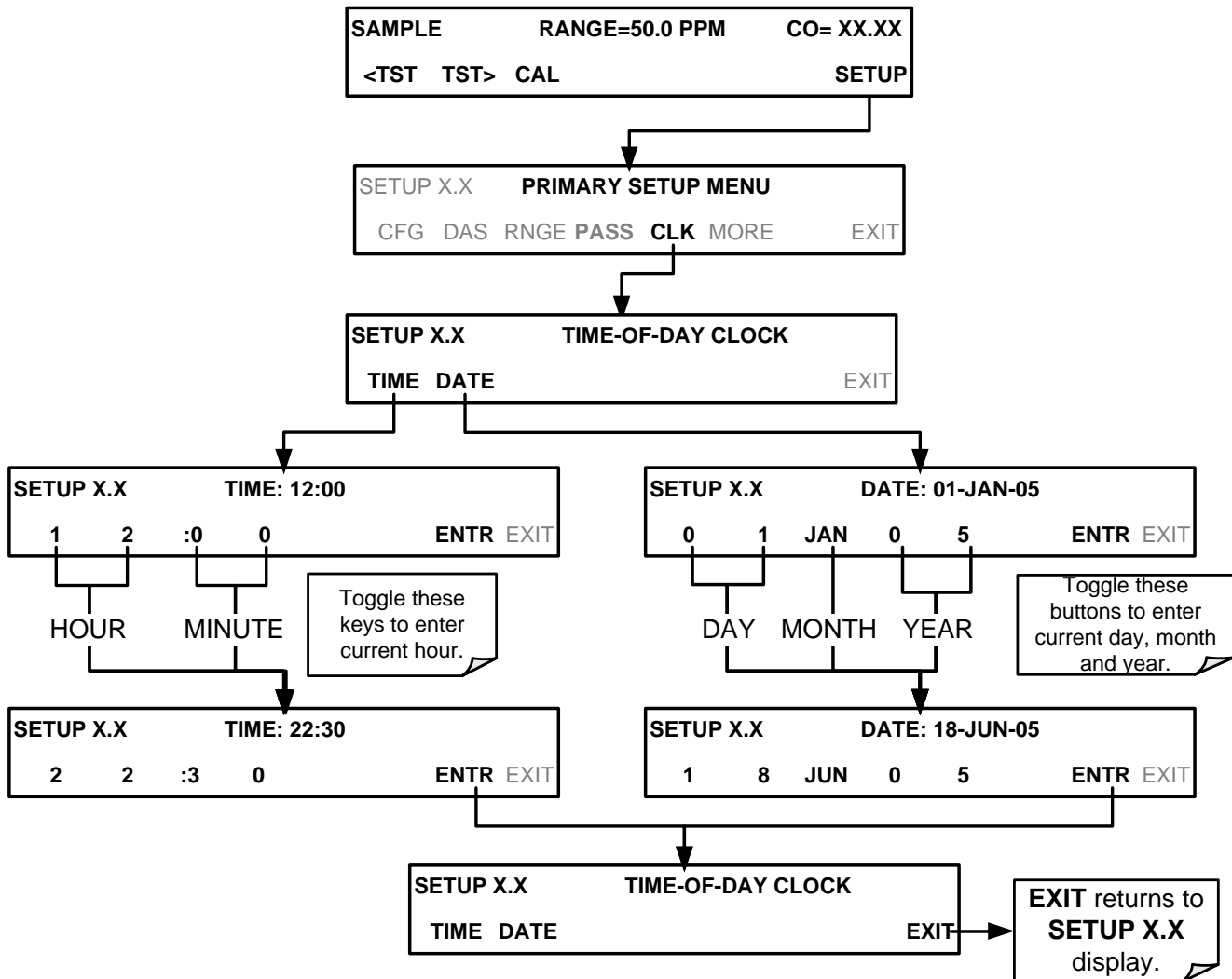
The user only has to press ENTR to access the password-protected menus but does not have to enter the required number code.

5.6. SETUP → CLK: SETTING THE INTERNAL TIME-OF-DAY CLOCK AND ADJUSTING SPEED

5.6.1.1. SETTING THE INTERNAL CLOCK'S TIME AND DAY

The T300/T300M has a time of day clock that supports the **DURATION** step of the automatic calibration (**ACAL**) sequence feature, time of day **TEST** function, and time stamps on for the **DAS** feature and most **COMM** port messages.

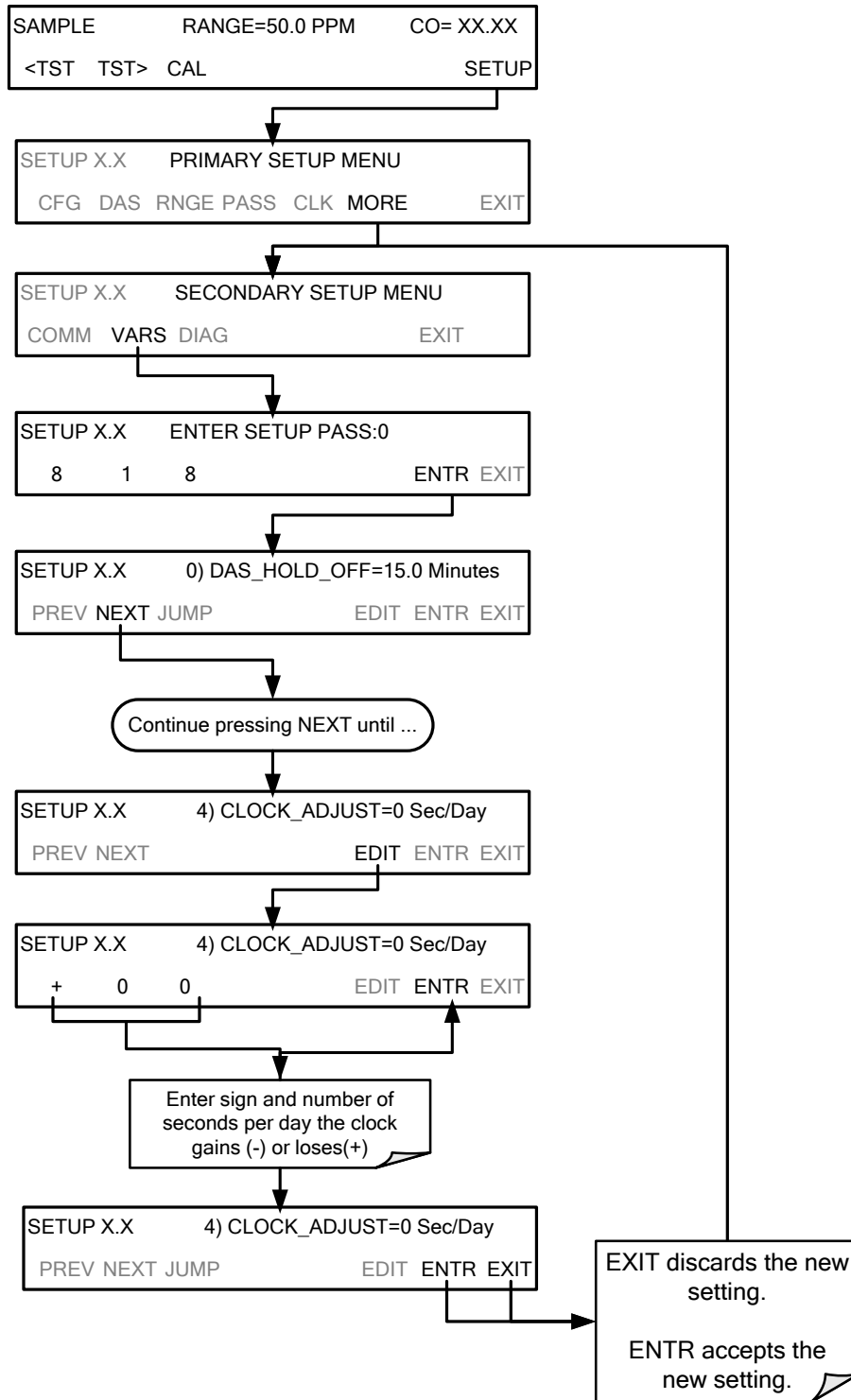
To set the clock's time and day, press:



5.6.1.2. ADJUSTING THE INTERNAL CLOCK'S SPEED

In order to compensate for CPU clocks which run faster or slower, you can adjust a variable called **CLOCK_ADJ** to speed up or slow down the clock by a fixed amount every day.

The **CLOCK_AD** variable is accessed via the **VAR** submenu: To change the value of this variable, press:



5.7. SETUP → COMM: COMMUNICATIONS PORTS

This section introduces the communications setup menu; Section 6 provides the setup instructions and operation information. Press SETUP>ENTR>MORE>COMM to arrive at the communications menu.

5.7.1. ID (MACHINE IDENTIFICATION)

Press ID to display and/or change the Machine ID, which must be changed to a unique identifier (number) when more than one instrument of the same model is used:

- in an RS-232 multidrop configuration (Sections 3.3.1.8 and 6.7.2)
- on the same Ethernet LAN (Section 6.5)
- when applying MODBUS protocol (Section 6.7.1)
- when applying Hessen protocol (Section 6.7.2)

The default ID is the same as the model number; for the Model T100, the ID is 0100. Press any button(s) in the MACHINE ID menu (Figure 5-2) until the Machine ID Parameter field displays the desired identifier.

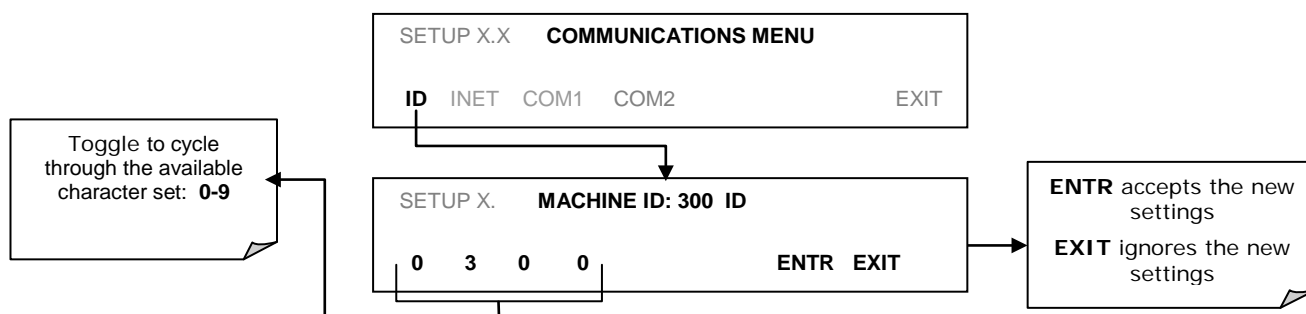


Figure 5-2: COMM– Machine ID

The ID can be any 4-digit number and can also be used to identify analyzers in any number of ways (e.g. location numbers, company asset number, etc.)

5.7.2. INET (ETHERNET)

Use SETUP>COMM>INET to configure Ethernet communications, whether manually or via DHCP. Please see Section 6.5 for configuration details.

5.7.3. COM1 AND COM2 (MODE, BAUD RATE AND TEST PORT)

Use the SETUP>COMM>COM1 [COM2] menus to:

- configure communication modes (Section 6.2.1)
- view/set the baud rate (Section 6.2.2)
- test the connections of the com ports (Section 6.2.3).

Configuring COM1 or COM2 requires setting the DCE DTE switch on the rear panel. Section 6.1 provides DCE DTE information.

5.8. SETUP → VARS: VARIABLES SETUP AND DEFINITION

The T300/T300M has several user-adjustable software variables, which define certain operational parameters. Usually, these variables are automatically set by the instrument's firmware, but can be manually redefined using the **VARS** menu.

The following table lists all variables that are available within the 818 password protected level. See Appendix A-2 for a detailed listing of all of the T300/T300M variables that are accessible through the remote interface.

Table 5-3: Variable Names (VARS)

NO.	VARIABLE	DESCRIPTION	ALLOWED VALUES	VARS DEFAULT VALUES
0	DAS_HOLD_OFF	Changes the Internal Data Acquisition System (DAS) HOLDOFF timer (Section 7.1.11). No data is stored in the DAS channels during situations when the software considers the data to be questionable such as during warm up of just after the instrument returns from one of its calibration mode to SAMPLE Mode.	May be set for intervals between 0.5 – 20 min	15 min.
1	CONC_PRECISION	Allows the user to set the number of significant digits to the right of the decimal point display of concentration and stability values.	AUTO, 1, 2, 3, 4	AUTO
2	DYN_ZERO ¹	Dynamic zero automatically adjusts offset and slope of the CO response when performing a zero point calibration during an AutoCal (see Section 9.4).	ON/OFF	OFF
3	DYN_SPAN ¹	Dynamic span automatically adjusts the offsets and slopes of the CO response when performing a slope calibration during an auto cal (see Section 9.4).	ON/OFF	OFF
4	CLOCK_ADJ	Adjusts the speed of the analyzer's clock. Choose the + sign if the clock is too slow, choose the - sign if the clock is too fast.	-60 to +60 s/day	0 sec
5	STABIL_GAS ²	Selects which gas measurement is displayed when the STABIL test function is selected.	CO; CO ₂ & O ₂	CO

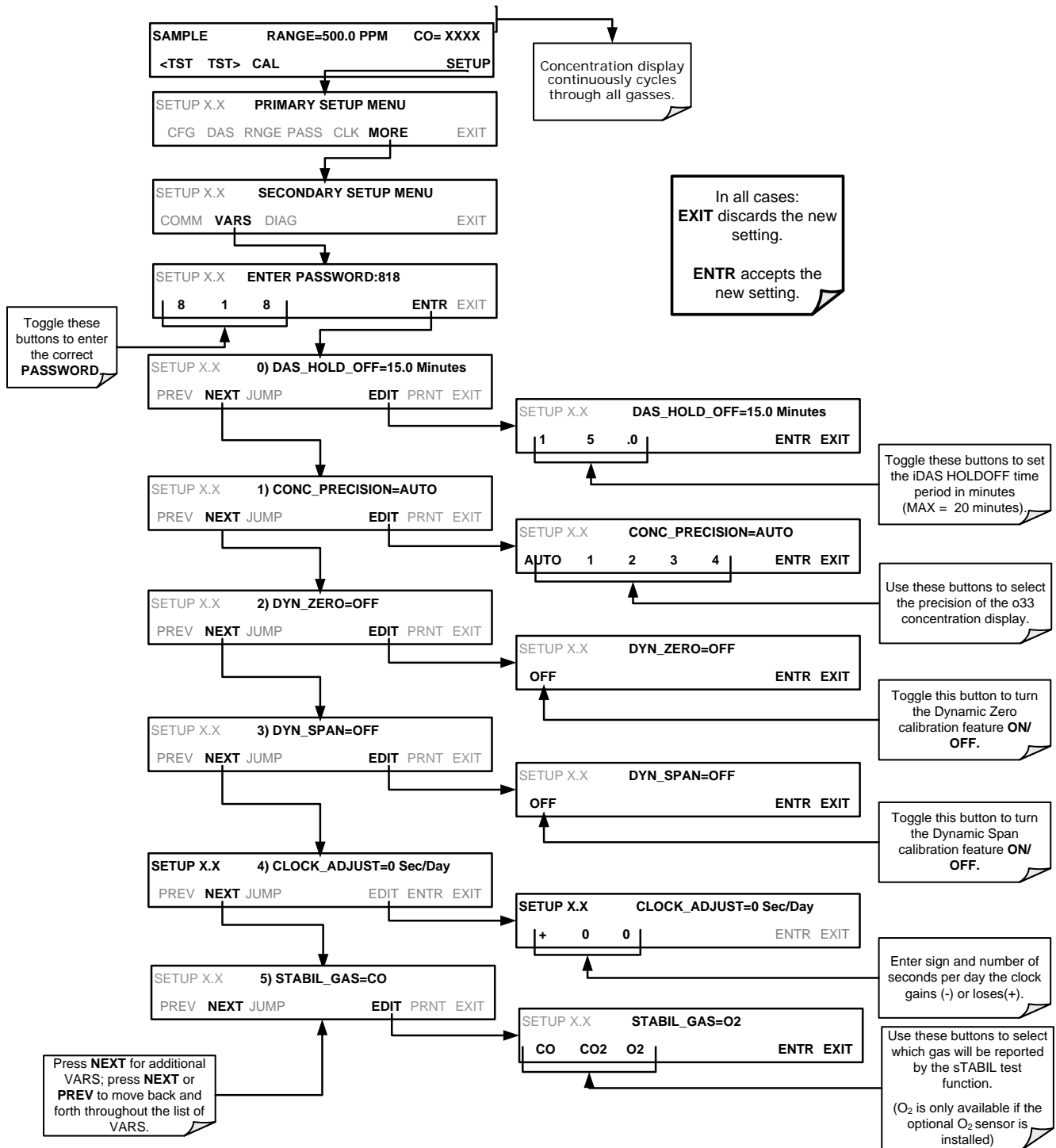
¹ Use of the DYN_ZERO and DYN_SPAN features are not allowed for applications requiring EPA equivalency.
² This VARS only appears if either the optional O₂ or CO₂ sensors are installed.

IMPORTANT

IMPACT ON READINGS OR DATA

There are more **VARS** available when using the password, 929, for configuration. Use caution when pressing any buttons while in this setup. Any changes made may alter the performance of the instrument or cause the instrument to not function properly. Note that if there is an accidental change to a setup parameter, press **EXIT** to discard the changes.

To access and navigate the **VARS** menu, use the following button sequence.



5.9. SETUP → DIAG: DIAGNOSTICS FUNCTIONS

A series of diagnostic tools is grouped together under the **SETUP→MORE→DIAG** menu, as these parameters are dependent on firmware revision (see Appendix A). These tools can be used in a variety of troubleshooting and diagnostic procedures and are referred to in many places of the maintenance and trouble-shooting sections of this manual.

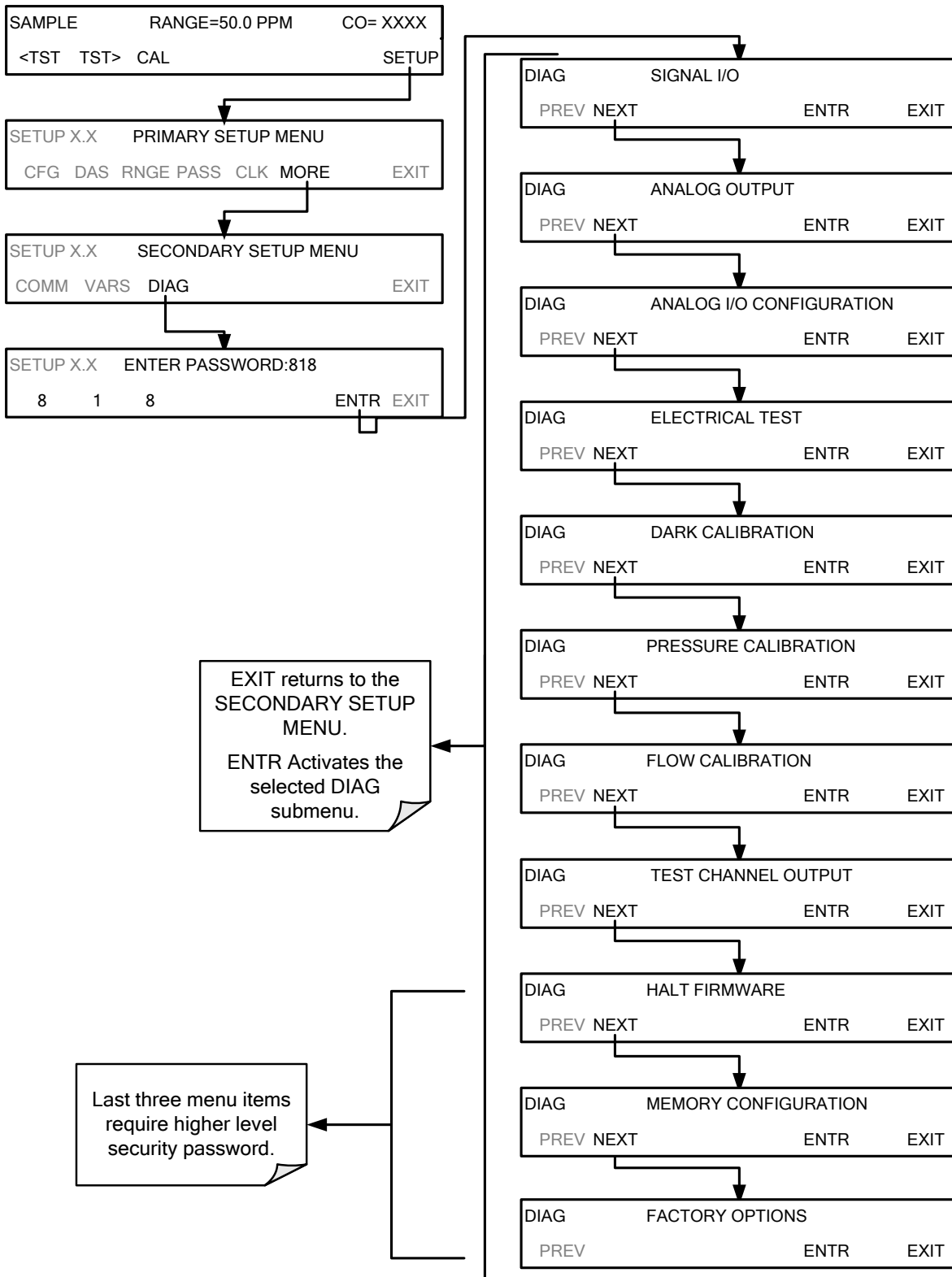
The various operating modes available under the **DIAG** menu are:

Table 5-4: Diagnostic Mode (DIAG) Functions

DIAG SUBMENU	SUBMENU FUNCTION	Front Panel Mode Indicator	MANUAL SECTION
SIGNAL I/O	Allows observation of all digital and analog signals in the instrument. Allows certain digital signals such as valves and heaters to be toggled ON and OFF .	DIAG SIGNAL I/O	5.9.1, 12.1.3 and 12.5.8.1
ANALOG OUTPUT	When entered, the analyzer performs an analog output step test. This can be used to calibrate a chart recorder or to test the analog output accuracy.	DIAG ANALOG OUTPUT	5.9.2 and 12.5.8.2
ANALOG I/O CONFIGURATION	This submenu allows the user to configure the analyzer's analog output channels, including choosing what parameter will be output on each channel. Instructions that appear here allow adjustment and calibration of the voltage signals associated with each output as well as calibration of the analog to digital converter circuitry on the motherboard.	DIAG ANALOG I/O CONFIGURATION	5.9.3
ELECTRICAL TEST	When activated, the analyzer performs an electrical test, which generates a voltage intended to simulate the measure and reference outputs of the SYNC/DEMODO board to verify the signal handling and conditioning of these signals.	DIAG ELECTRICAL TEST	5.9.4 and 12.5.7.2
DARK CALIBRATION¹	Disconnects the preamp from synchronous demodulation circuitry on the SYNC/DEMODO PCA to establish the dark offset values for the measure and reference channel.	DIAG DARK CALIBRATION	5.9.5 and 9.6.1
PRESSURE CALIBRATION¹	Allows the user to calibrate the sample pressure sensor.	DIAG PRESSURE CALIBRATION	5.9.6 and 9.6.2
FLOW CALIBRATION¹	This function is used to calibrate the gas flow output signals of sample gas and ozone supply.	DIAG FLOW CALIBRATION	5.9.7 and 9.6.3
TEST CHAN OUTPUT	Selects one of the available test channel signals to output over the A4 analog output channel.	DIAG TEST CHAN OUTPUT	5.9.8 and 12.5.8.2

¹ These settings are retained after exiting DIAG mode.

To access the **DIAG** functions press the following buttons:



5.9.1. SIGNAL I/O

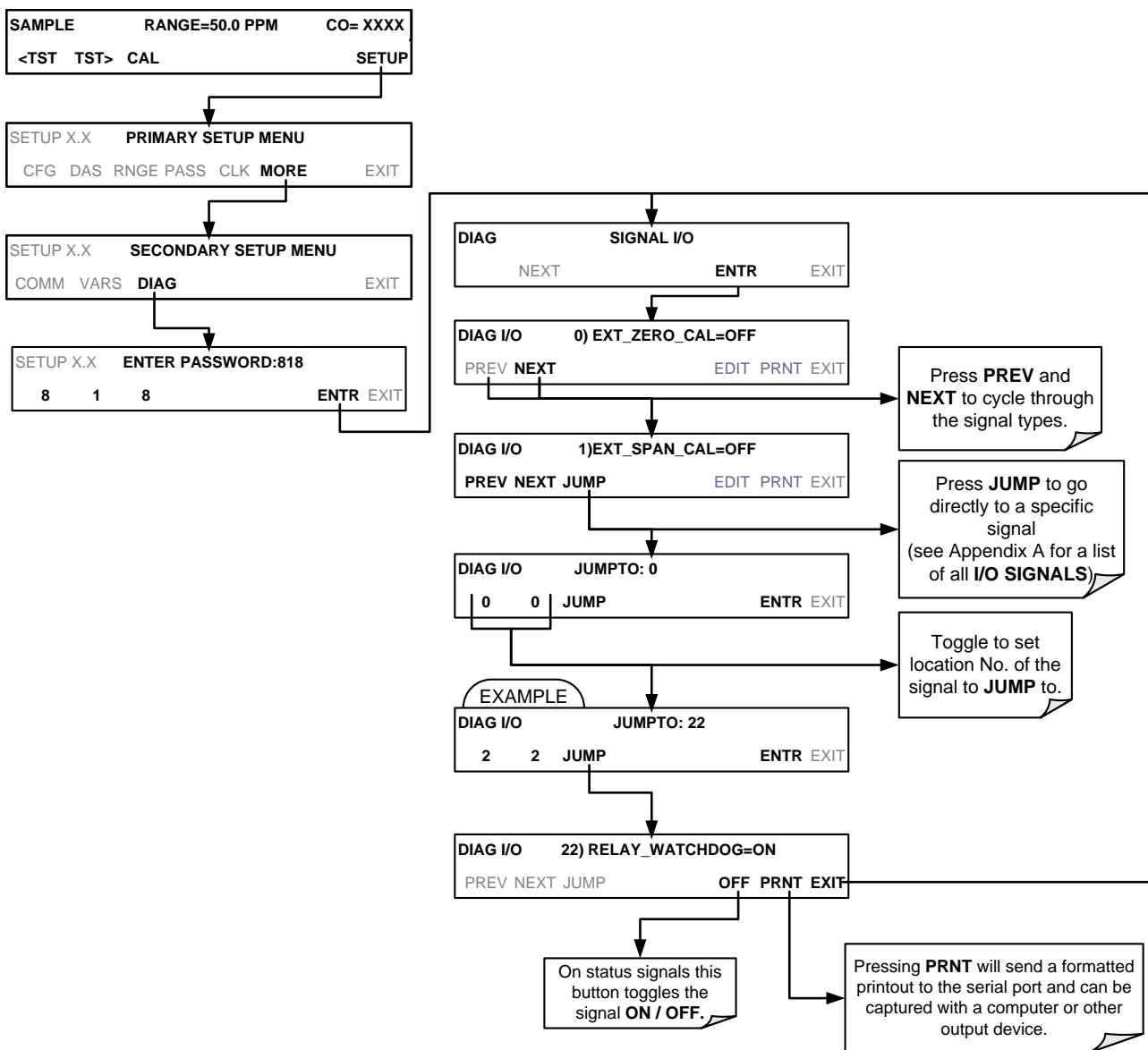
The signal I/O diagnostic mode allows a user to review and change the digital and analog input/output functions of the analyzer. Refer to Appendix A-4 for a full list of the parameters available for review under this menu.

IMPORTANT

IMPACT ON READINGS OR DATA

Any changes of signal I/O settings will remain in effect only until the signal I/O menu is exited. Exceptions are the ozone generator override and the flow sensor calibration, which remain as entered when exiting.

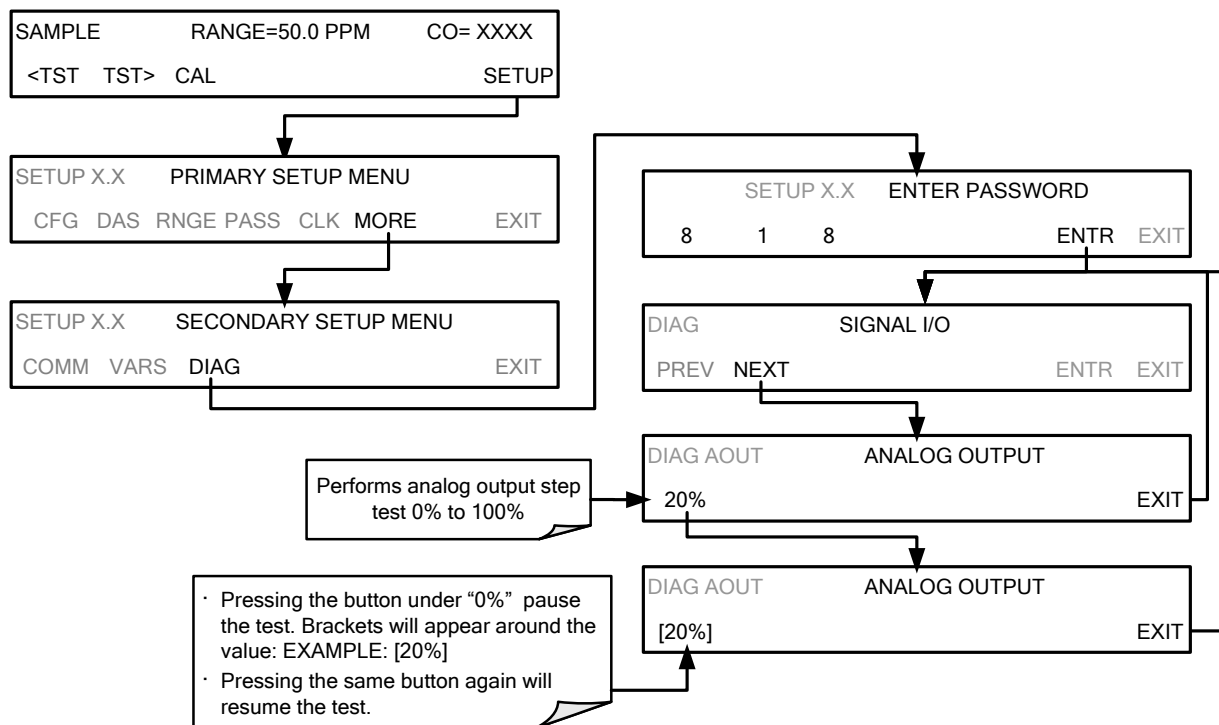
Access the SIGNAL I/O test mode from the DIAG Menu:



5.9.2. ANALOG OUTPUT

Analog Output is used as a step test to check the accuracy and proper operation of the analog outputs. The test forces all four analog output channels to produce signals ranging from 0% to 100% of the full scale range in 20% increments. This test is useful to verify the operation of the data logging/recording devices attached to the analyzer. (See also Section 12.5.8.2).

Access the Analog Output Step Test from the DIAG Menu as follows:



5.9.3. ANALOG I/O CONFIGURATION

The T300/T300M Analyzer comes equipped with four analog outputs.

- The first two outputs (**A1 & A2**) carry analog signals that represent the currently measured concentration of CO (see Section 5.4.1).
- The third output (**A3**) is only active if the analyzer is equipped with one of the optional 2nd gas sensors (e.g. O₂ or CO₂).
- The fourth output (**A4**) outputs a signal that can be set to represent the current value of one of several test functions (see Table 5-9).

Table 5-5 lists the analog I/O functions that are available in the T300/T300M Analyzer.

Table 5-5: DIAG - Analog I/O Functions

SUB MENU	OUTPUT CHANNEL	FUNCTION
AOUT CALIBRATED	ALL	Initiates a calibration of the A1 , A2 , A3 and A4 analog output channels that determines the slope and offset inherent in the circuitry of each output. These values are stored and applied to the output signals by the CPU automatically.
CONC_OUT_1	A1	Sets the basic electronic configuration of the A1 output (CO Concentration). There are four options: <ul style="list-style-type: none"> • RANGE¹: Selects the signal type (voltage or current loop) and level of the output. • REC OFS¹: Allows the input of a DC offset to let the user manually adjust the output level. • AUTO CAL: Enables / Disables the AOUT CALIBRATED feature. • CALIBRATED: Performs the same calibration as AOUT CALIBRATED, but on this one channel only.
CONC_OUT_2	A2	<ul style="list-style-type: none"> • Same as for CONC_OUT_1 but for analog channel A2.
CONC_OUT_3	A3	<ul style="list-style-type: none"> • Same as for CONC_OUT_1 but for analog channel A3 but only if either the optional O₂ or CO₂ sensors are installed.
TEST OUTPUT	A4	<ul style="list-style-type: none"> • Same as for CONC_OUT_1 but for analog channel A4 (TEST CHANNEL).
AIN CALIBRATED	N/A	Initiates a calibration of the A-to-D Converter circuit located on the Motherboard.
XIN1 . . . XIN8		For each of 8 external analog input channels, shows the gain, offset, engineering units, and whether the channel is to show up as a Test function.
¹ Any changes made to RANGE or REC_OFS require recalibration of this output.		

To access the **ANALOG I/O CONFIGURATION** submenu, press:

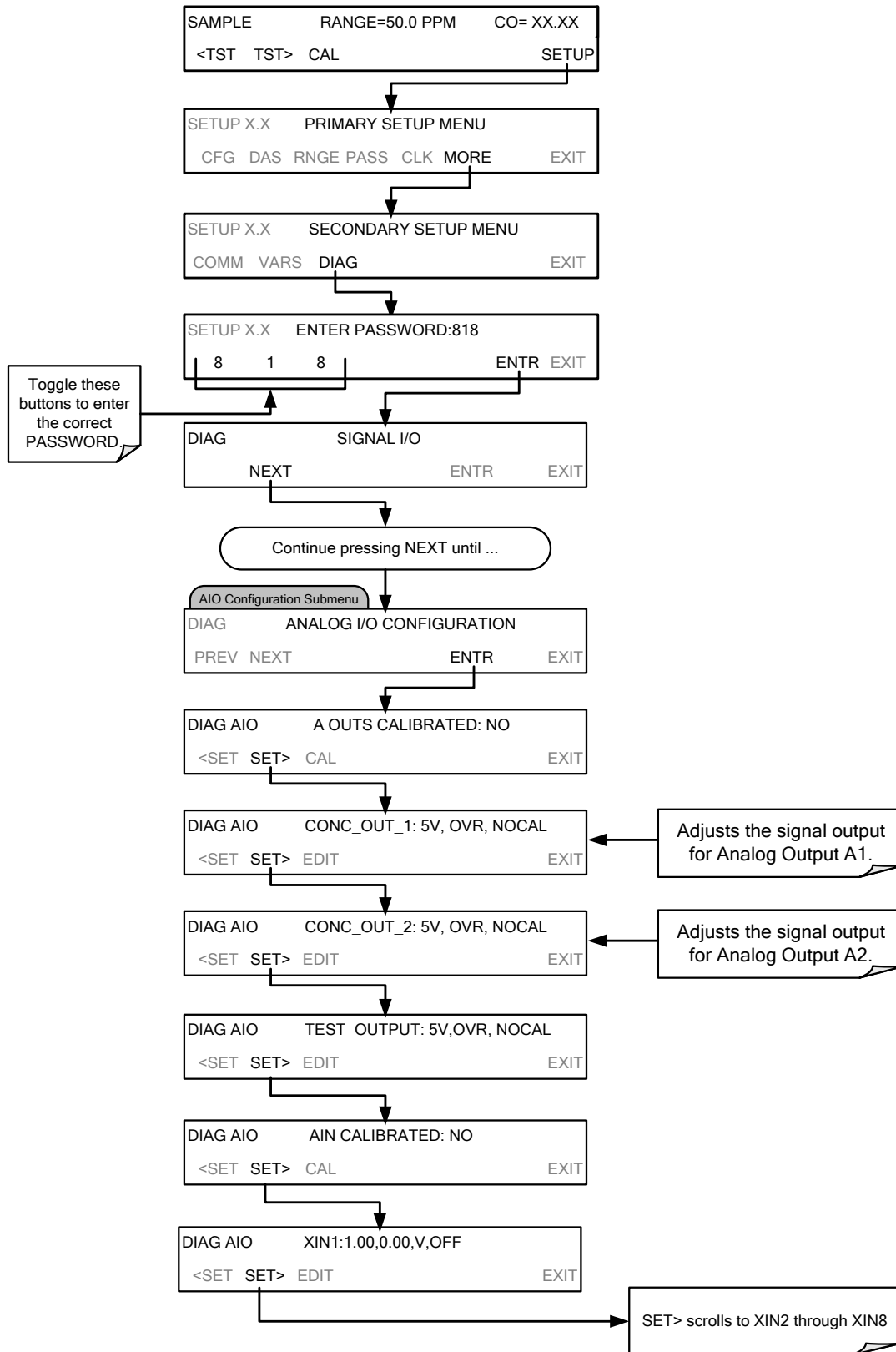


Figure 5-3: Accessing the Analog I/O Configuration Submenus

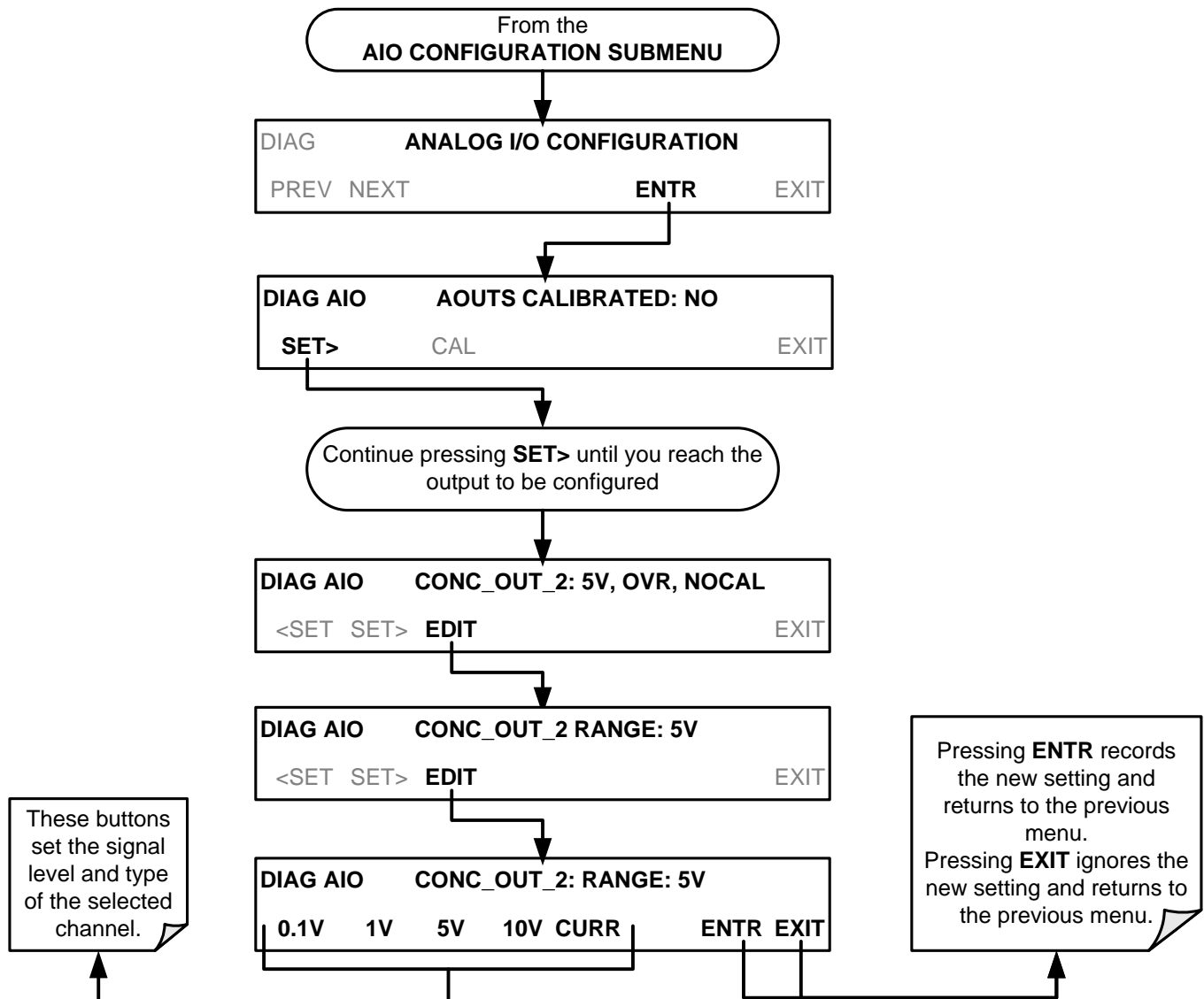
5.9.3.1. ANALOG OUTPUT VOLTAGE / CURRENT RANGE SELECTION

In its standard configuration, each of the analog outputs is set to output a 0–5 VDC signals. Several other output ranges are available. Each range has is usable from -5% to + 5% of the rated span.

Table 5-6: Analog Output Voltage Ranges

RANGE NAME	RANGE SPAN	MINIMUM OUTPUT	MAXIMUM OUTPUT
0.1V	0-100 mVDC	-5 mVDC	105 mVDC
1V	0-1 VDC	-0.05 VDC	1.05 VDC
5V	0-5 VDC	-0.25 VDC	5.25 VDC
10V	0-10 VDC	-0.5 VDC	10.5 VDC
<ul style="list-style-type: none"> • The default offset for all VDC ranges is 0-5 VDC. 			
CURR	0-20 mA	0 mA	20 mA
<ul style="list-style-type: none"> • While these are the physical limits of the current loop modules, typical applications use 2-20 or 4-20 mA for the lower and upper limits. Please specify desired range when ordering this option. • The default offset for all current ranges is 0 mA. • Current outputs are available only on A1-A3. 			

To change the output type and range, select the **ANALOG I/O CONFIGURATION** submenu from the **DIAG** Menu (see Figure 5-3) then press:



5.9.3.2. ANALOG OUTPUT CALIBRATION

Analog output calibration should to be carried out on first startup of the analyzer (performed in the factory as part of the configuration process) or whenever recalibration is required. The analog outputs can be calibrated automatically, either as a group or individually, or adjusted manually.

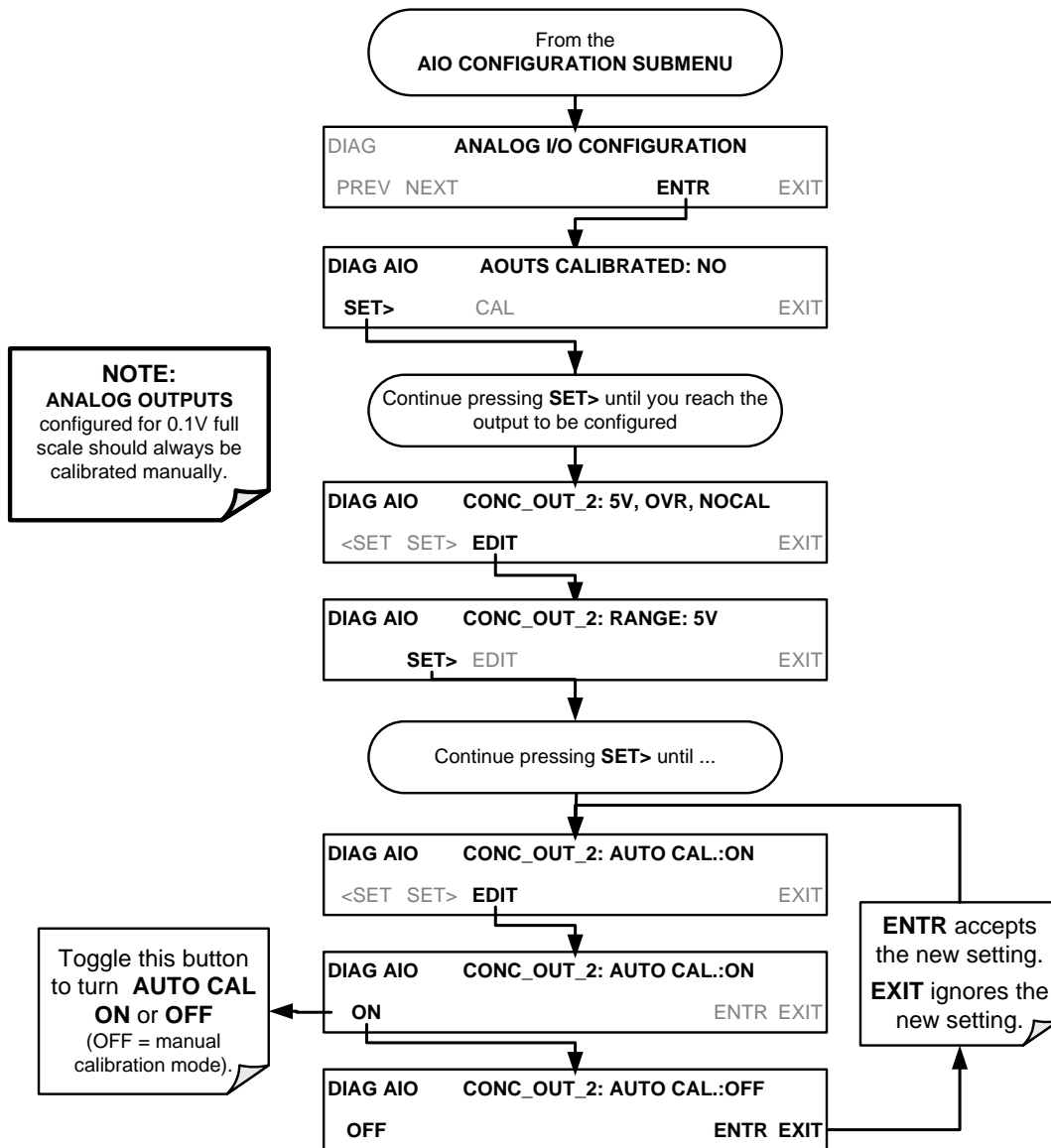
In its default mode, the instrument is configured for automatic calibration of all channels, which is useful for clearing any analog calibration warnings associated with channels that will not be used or connected to any input or recording device, e.g., datalogger.

Manual calibration should be used for the 0.1V range or in cases where the outputs must be closely matched to the characteristics of the recording device. Manual calibration requires the AUTOCAL feature to be disabled.

Automatic calibration can be performed via the **CAL** button located inside The **AOUTS CALIBRATION** submenu. By default, the analyzer is configured so that calibration of analog outputs can be initiated as a group with the **AOUT CALIBRATION** command. The outputs can also be calibrated individually, but this requires the AUTOCAL feature be disabled.

5.9.3.3. ENABLING OR DISABLING THE AUTOCAL FOR AN INDIVIDUAL ANALOG OUTPUT

To enable or disable the **AutoCal** feature for an individual analog output, elect the **ANALOG I/O CONFIGURATION** submenu (see Figure 5-3) then press:



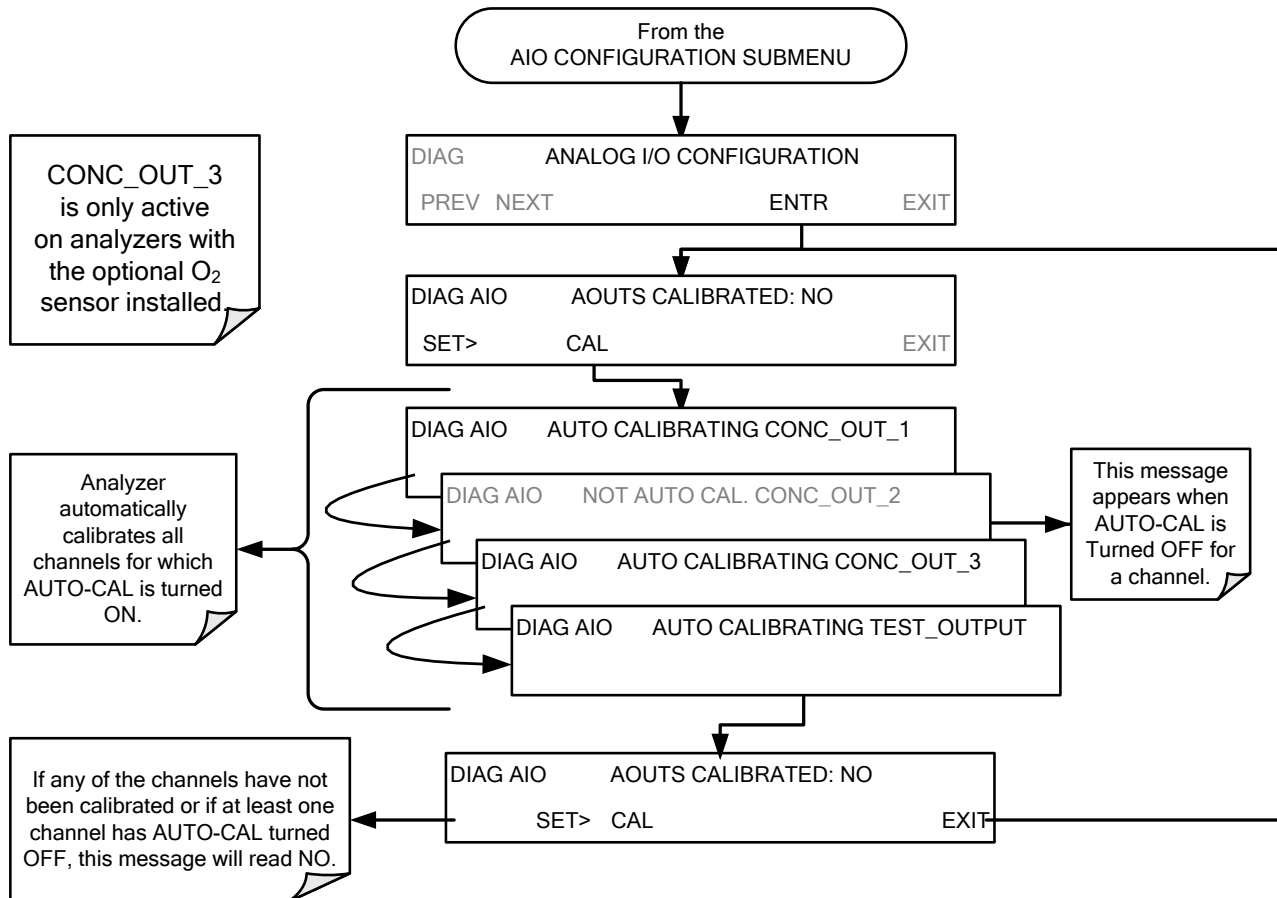
5.9.3.4. AUTOMATIC CALIBRATION OF THE ANALOG OUTPUTS

To calibrate the outputs as a group with the **AOUTS CALIBRATION** command, select the **ANALOG I/O CONFIGURATION** submenu (see Figure 5-3) then press:

IMPORTANT

IMPACT ON READINGS OR DATA

Before performing this procedure, make sure that the AUTO CAL for each analog output is enabled. (See Section 5.9.3.3).



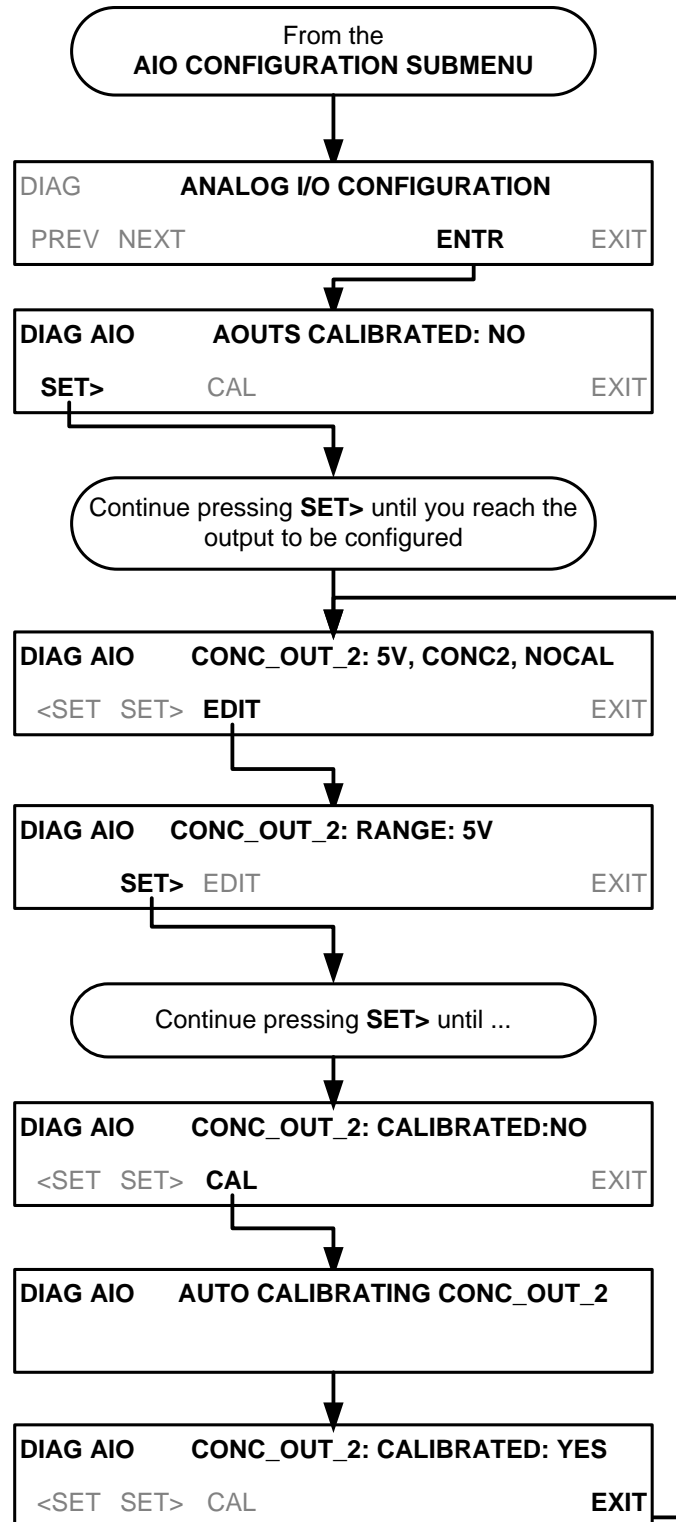
IMPORTANT

IMPACT ON READINGS OR DATA

Manual calibration should be used for any analog output set for a 0.1V output range or in cases where the outputs must be closely matched to the characteristics of the recording device.

5.9.3.5. INDIVIDUAL CALIBRATION OF THE ANALOG OUTPUTS

To use the **AUTO CAL** feature to initiate an automatic calibration for an individual analog output, select the **ANALOG I/O CONFIGURATION** submenu (see Figure 5-3) then press:



5.9.3.6. MANUAL CALIBRATION OF THE ANALOG OUTPUTS CONFIGURED FOR VOLTAGE RANGES

For highest accuracy, the voltages of the analog outputs can be manually calibrated.

Note

The menu for manually adjusting the analog output signal level will only appear if the AUTO-CAL feature is turned off for the channel being adjusted (see Section 5.9.3.3).

Calibration is performed with a voltmeter connected across the output terminals and by changing the actual output signal level using the front panel buttons in 100, 10 or 1 count increments. See Figure 3-9 for pin assignments and diagram of the analog output connector.

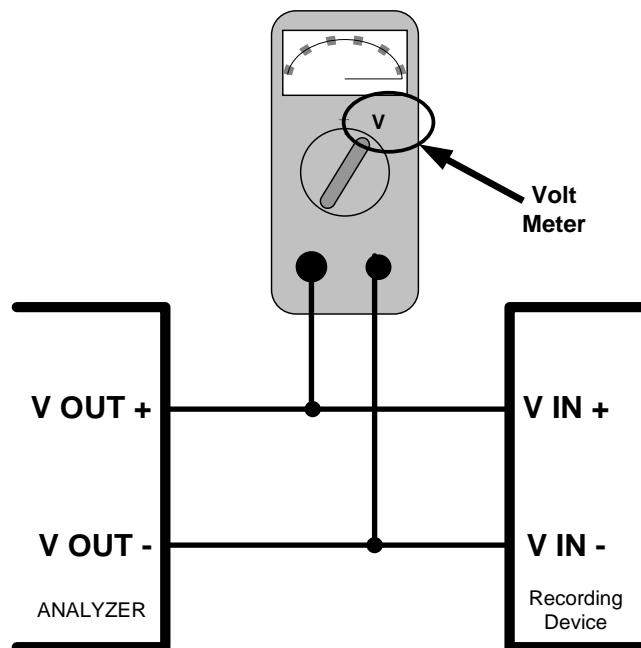
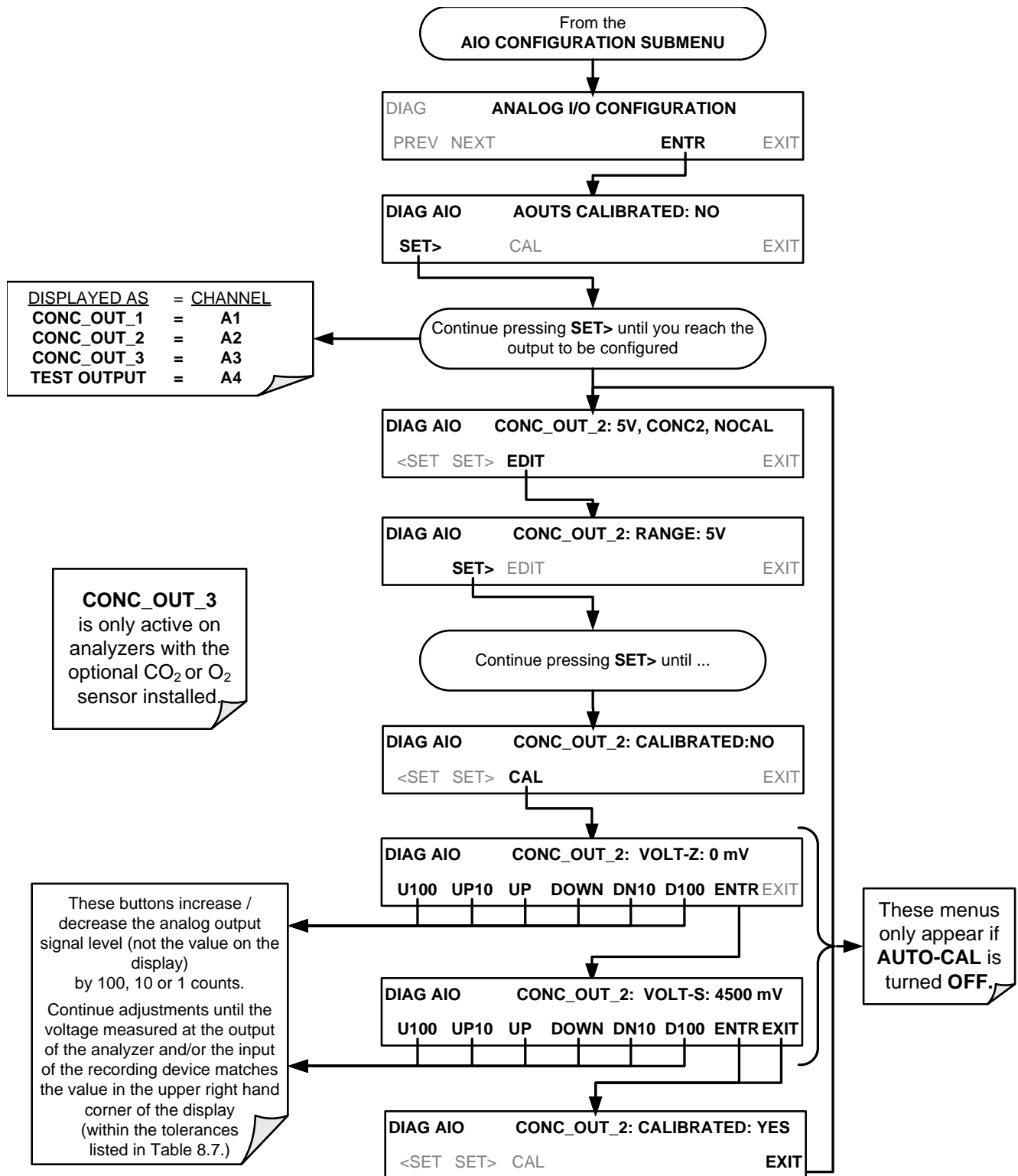


Figure 5-4: Setup for Checking / Calibrating DCV Analog Output Signal Levels

Table 5-7: Voltage Tolerances for the TEST CHANNEL Calibration

FULL SCALE	ZERO TOLERANCE	SPAN VOLTAGE	SPAN TOLERANCE	MINIMUM ADJUSTMENT (1 count)
0.1 VDC	±0.0005V	90 mV	±0.001V	0.02 mV
1 VDC	±0.001V	900 mV	±0.001V	0.24 mV
5 VDC	±0.002V	4500 mV	±0.003V	1.22 mV
10 VDC	±0.004V	4500 mV	±0.006V	2.44 mV

To adjust the signal levels of an analog output channel manually, select the **ANALOG I/O CONFIGURATION** submenu (see Figure 5-3) then press:



5.9.3.7. MANUAL ADJUSTMENT OF CURRENT LOOP OUTPUT SPAN AND OFFSET

A current loop option may be purchased for the **A1**, **A2** and **A3** analog outputs of the analyzer. This option places circuitry in series with the output of the D-to-A converter on the motherboard that changes the normal DC voltage output to a 0-20 milliamp signal (see Section 3.3.1.4).

- The outputs can be ordered scaled to any set of limits within that 0-20 mA range, however most current loop applications call for either 0-20 mA or 4-20 mA range spans.
- All current loop outputs have a +5% over range. Ranges whose lower limit is set above 1 mA also have a -5% under range.

To switch an analog output from voltage to current loop, follow the instructions in Section 5.9.3.1 (select **CURR** from the list of options on the “Output Range” menu).

Adjusting the signal zero and span levels of the current loop output is done by raising or lowering the voltage output of the D-to-A converter circuitry on the analyzer’s motherboard. This raises or lowers the signal level produced by the current loop option circuitry.

The software allows this adjustment to be made in 100, 10 or 1 count increments. Since the exact amount by which the current signal is changed per D-to-A count varies from output-to-output and instrument-to-instrument, you will need to measure the change in the signal levels with a separate, current meter placed in series with the output circuit. See Figure 3-9 for pin assignments and diagram of the analog output connector.

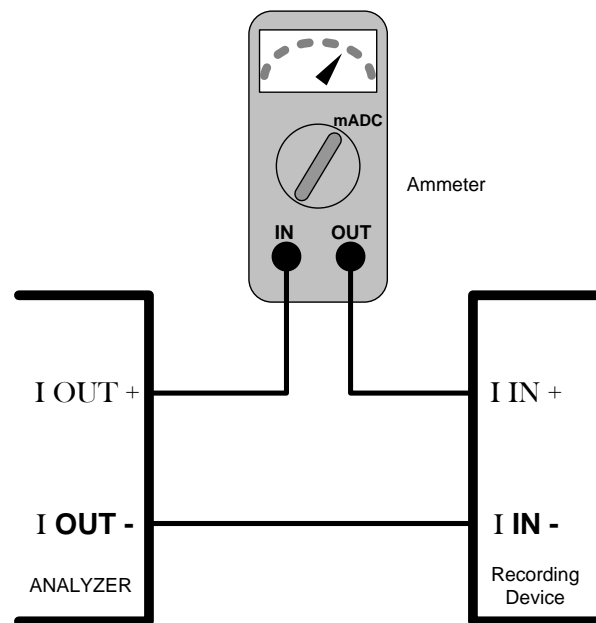


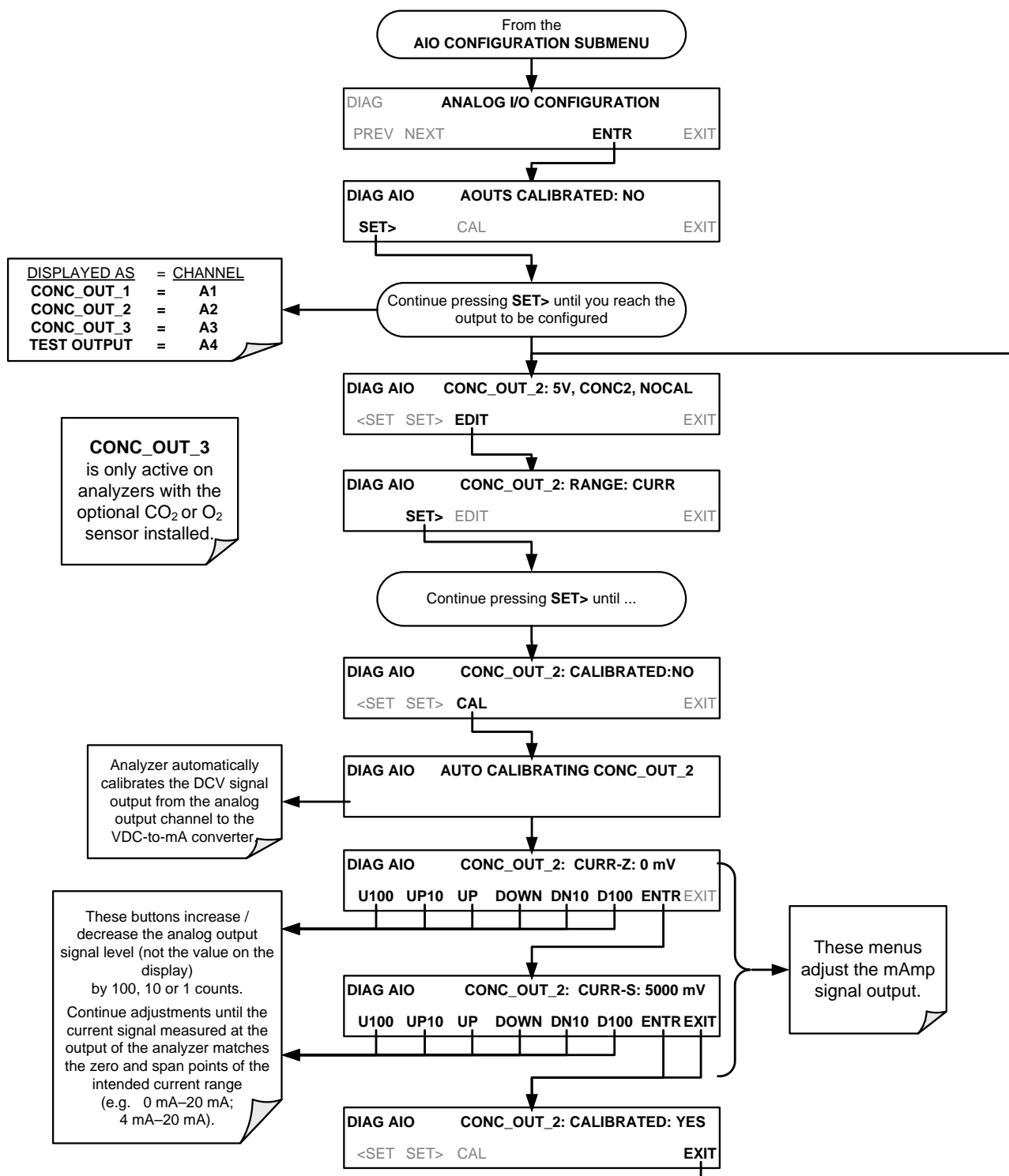
Figure 5-5: Setup for Checking / Calibration Current Output Signal Levels Using an Ammeter



CAUTION GENERAL SAFETY HAZARD

Do not exceed 60 V peak voltage between current loop outputs and instrument ground.

To adjust the zero and span signal levels of the current outputs, select the **ANALOG I/O CONFIGURATION** submenu (see Figure 5-3) then press:



An alternative method for measuring the output of the Current Loop converter is to connect a 250 ohm $\pm 1\%$ resistor across the current loop output in lieu of the current meter (see Figure 3-9 for pin assignments and diagram of the analog output connector). This allows the use of a voltmeter connected across the resistor to measure converter output as VDC or mVDC.

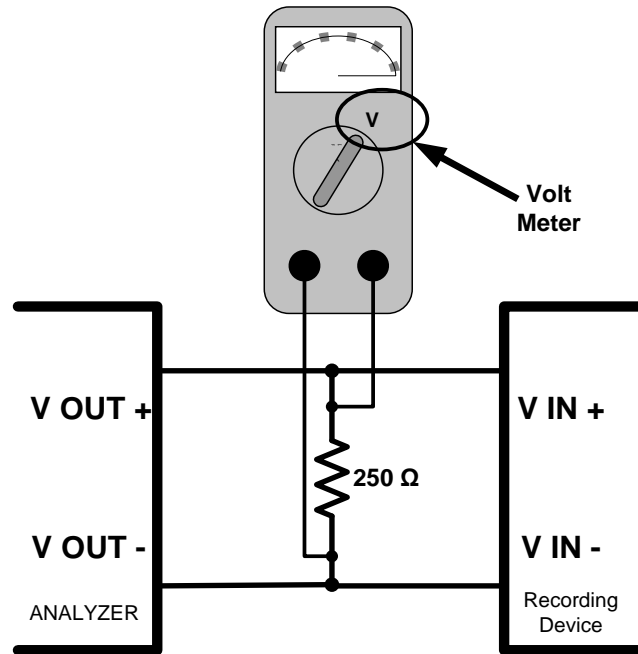


Figure 5-6: Alternative Setup Using 250Ω Resistor for Checking Current Output Signal Levels

In this case, follow the procedure above but adjust the output for the following values:

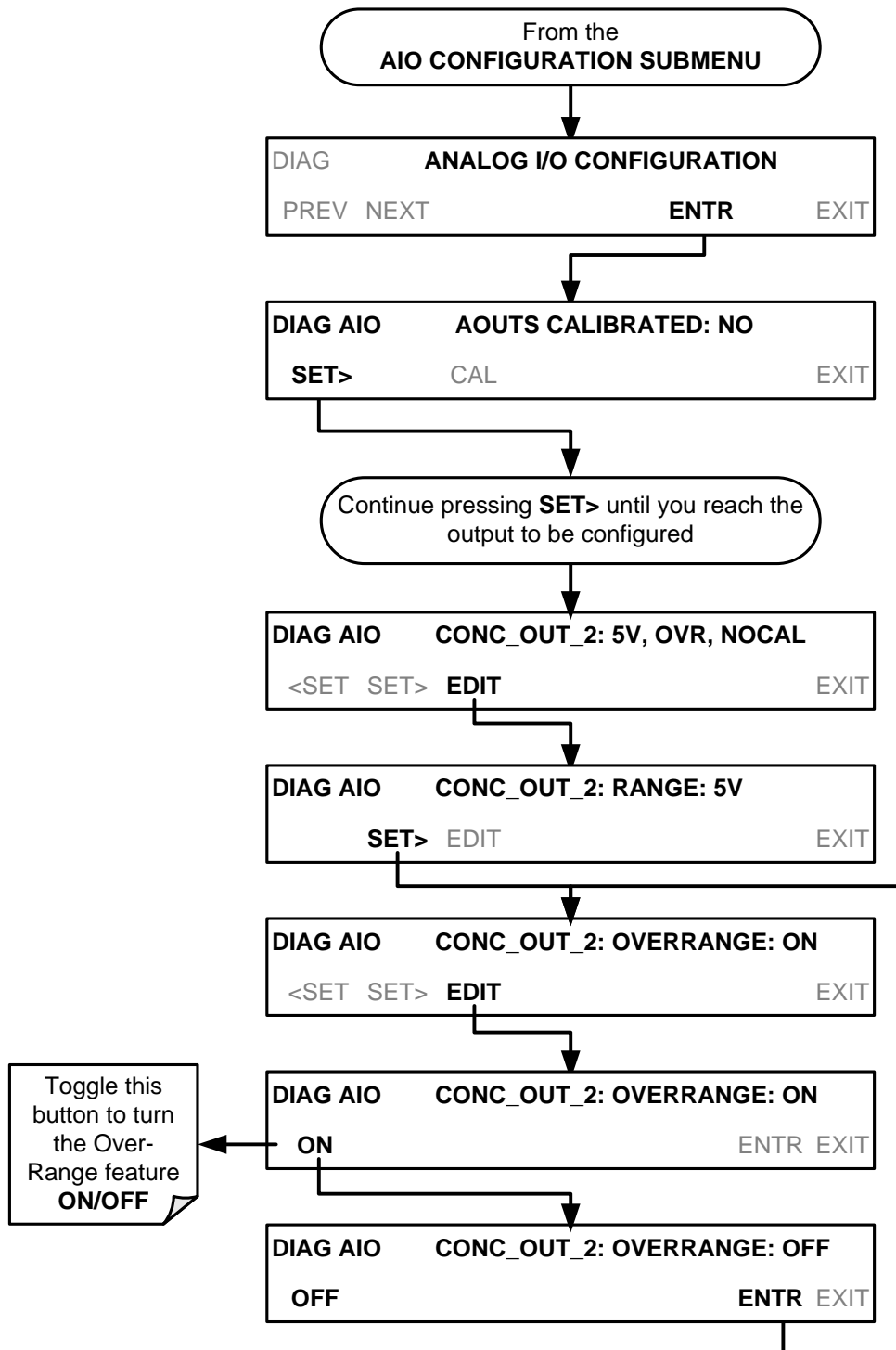
Table 5-8: Current Loop Output Check

% FS	Voltage across Resistor for 2-20 mA	Voltage across Resistor for 4-20 mA
0	500 mVDC	1000 mVDC
100	5000 mVDC	5000 mVDC

5.9.3.8. TURNING AN ANALOG OUTPUT OVER-RANGE FEATURE ON/OFF

In its default configuration, a $\pm 5\%$ over-range is available on each of the T300/T300M Analyzer’s analog outputs. This over-range can be disabled if your recording device is sensitive to excess voltage or current.

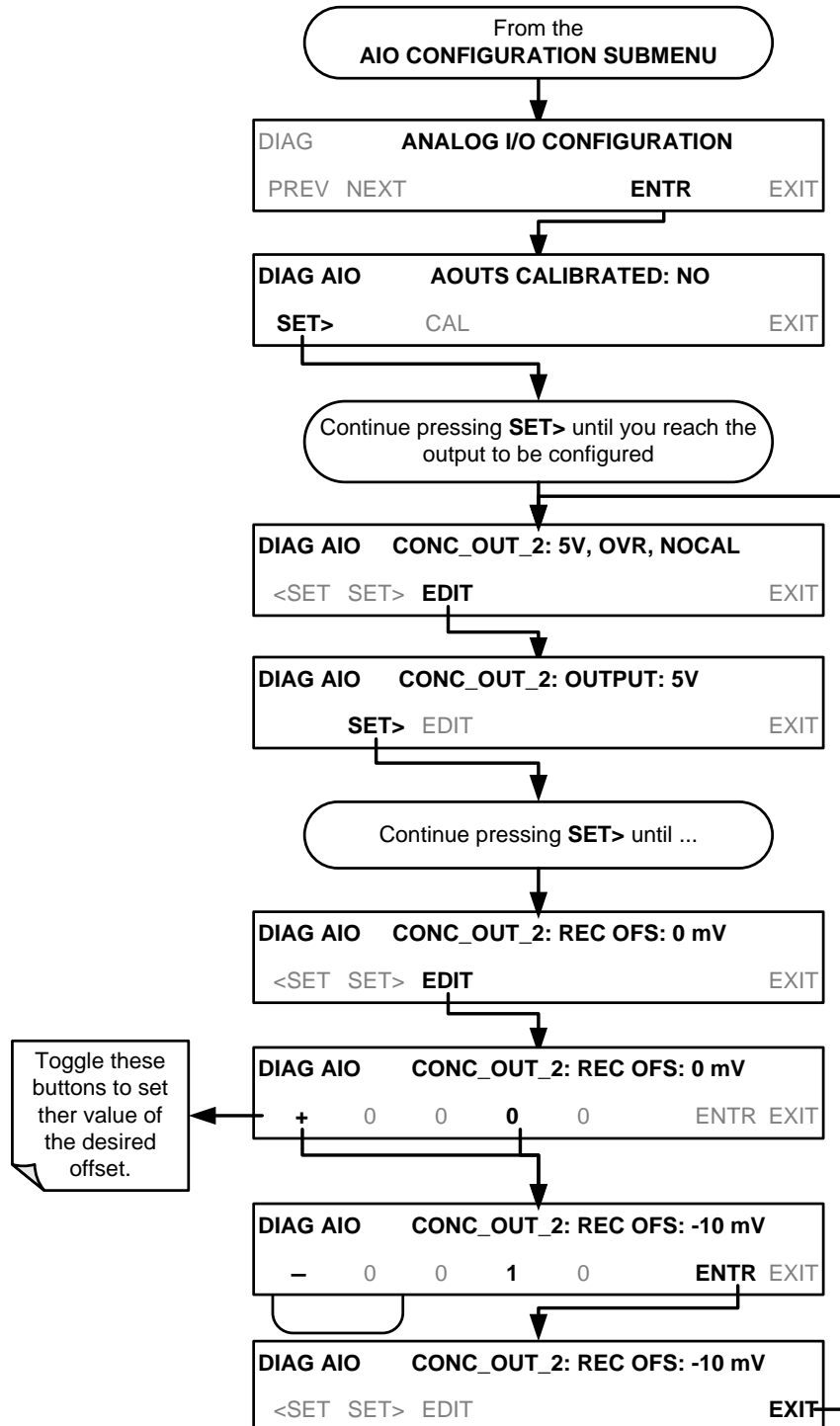
To turn the over-range feature on or off, select the **ANALOG I/O CONFIGURATION** submenu (see Figure 5-3) then press:



5.9.3.9. ADDING A RECORDER OFFSET TO AN ANALOG OUTPUT

Some analog signal recorders require that the zero signal is significantly different from the baseline of the recorder in order to record slightly negative readings from noise around the zero point. This can be achieved in the T300/T300M by defining a zero offset, a small voltage (e.g., 10% of span).

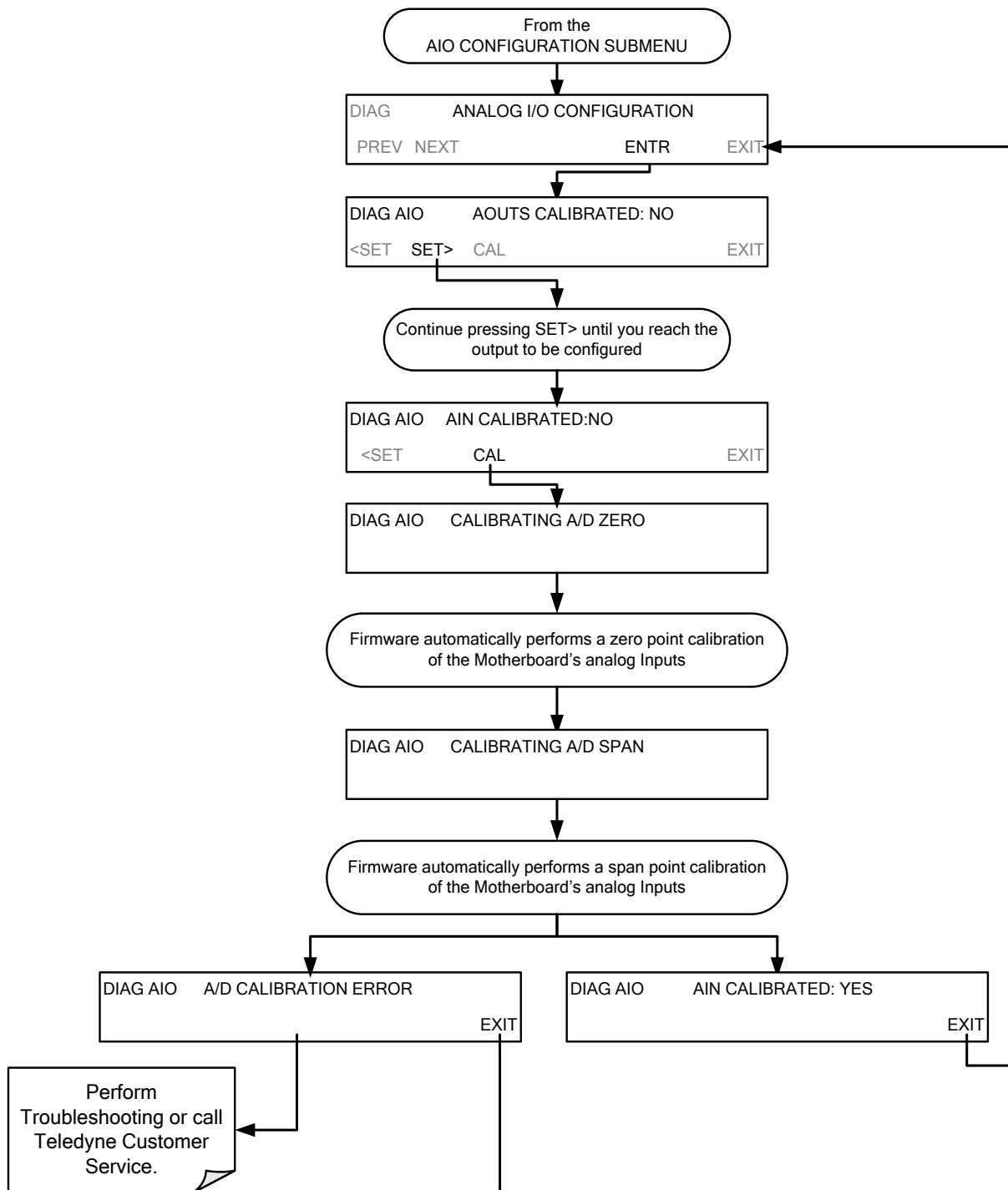
To add a zero offset to a specific analog output channel, select the **ANALOG I/O CONFIGURATION** submenu (see Figure 5-3) then press:



5.9.3.10. AIN CALIBRATION

This is the submenu to conduct a calibration of the T300/T300M Analyzer’s analog inputs. This calibration should only be necessary after major repair such as a replacement of CPU, motherboard or power supplies.

To perform an analog input calibration, select the **ANALOG I/O CONFIGURATION** submenu (see Figure 5-3) then press:



5.9.3.11. ANALOG INPUTS (XIN1...XIN8) OPTION CONFIGURATION

To configure the analyzer’s external analog inputs option, define for each channel:

- gain (number of units represented by 1 volt)
- offset (volts)
- engineering units to be represented in volts (each press of the touchscreen button scrolls the list of alphanumeric characters from A-Z and 0-9)
- whether to display the channel in the Test functions

To access and adjust settings for the external Analog Inputs option channels press:

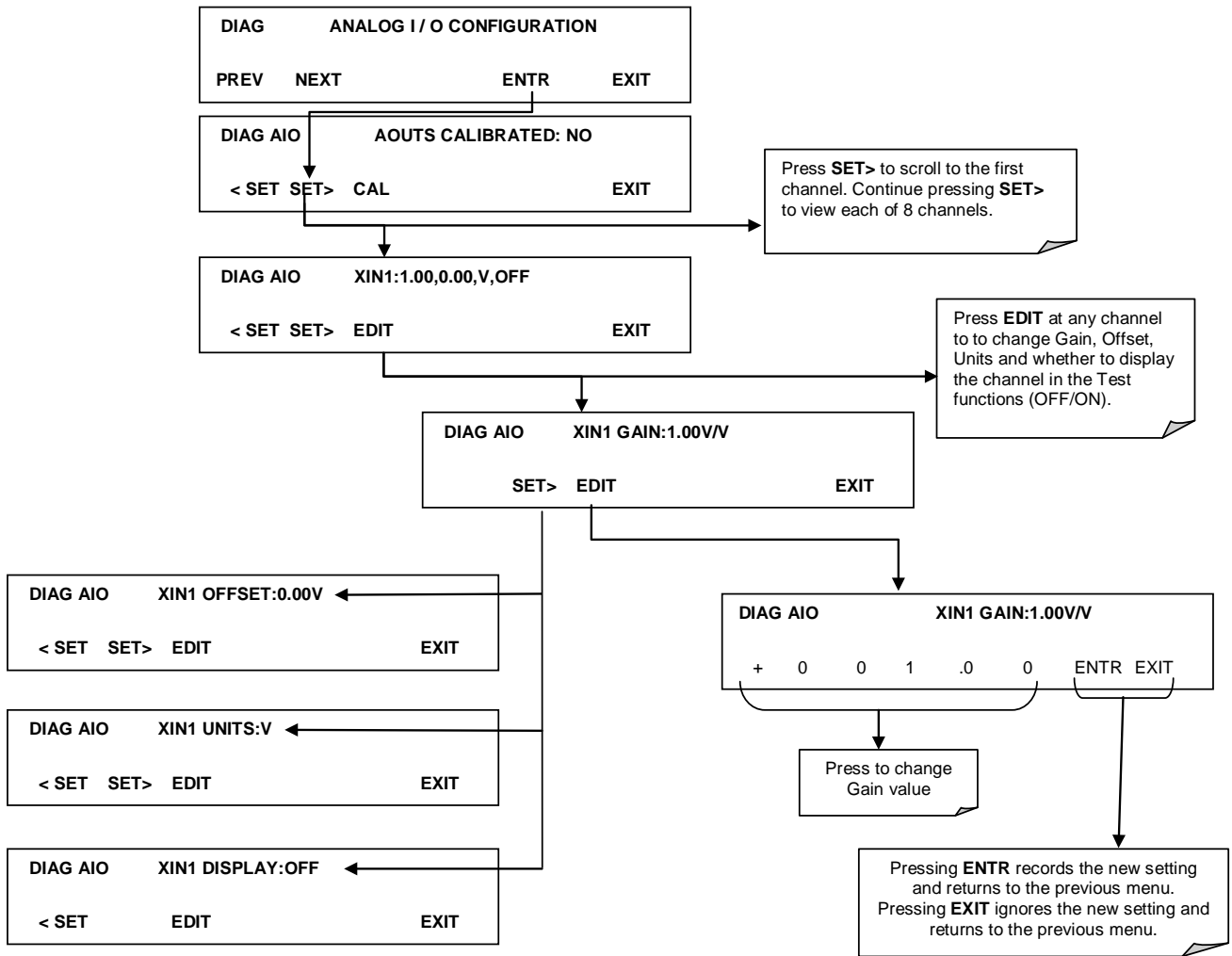
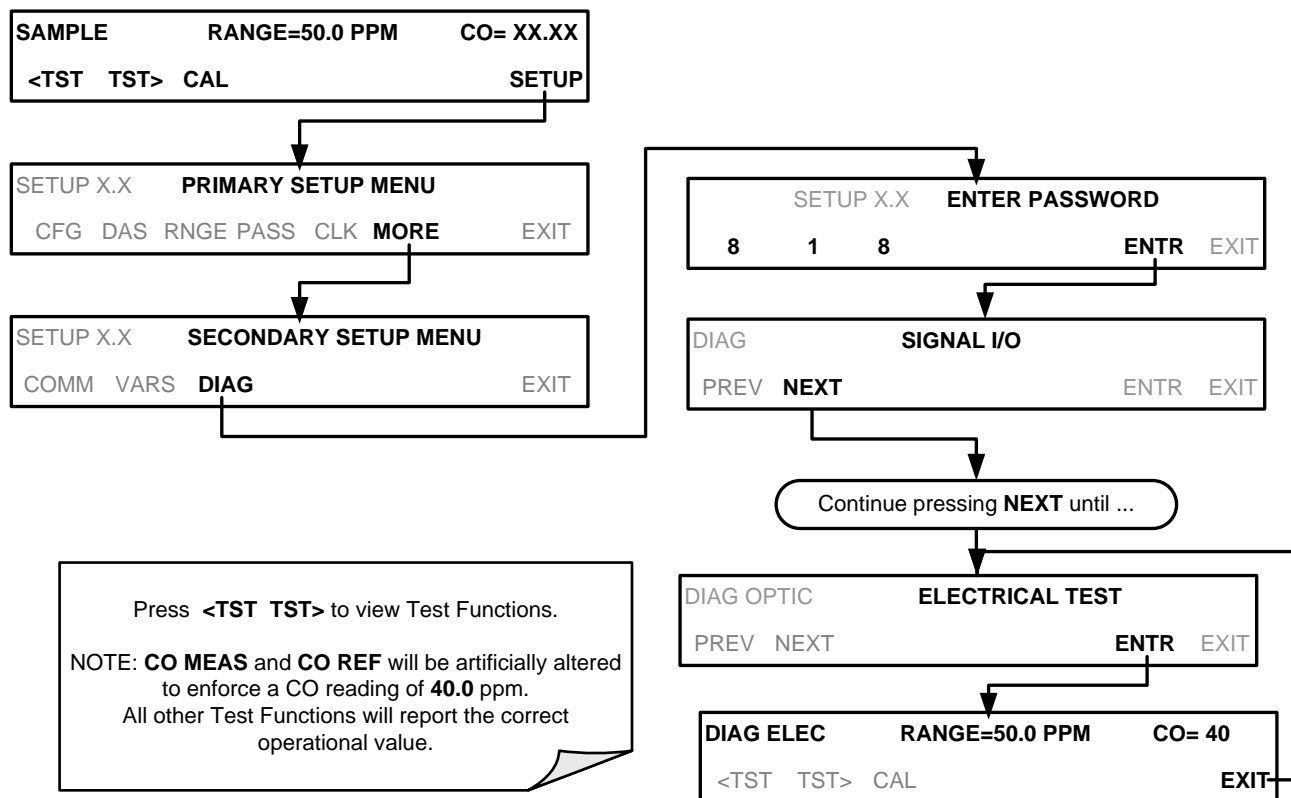


Figure 5-7. DIAG – Analog Inputs (Option) Configuration Menu

5.9.4. ELECTRICAL TEST

The electrical test function creates a current, which substitutes the PMT signal, and feeds it into the preamplifier board. This signal is generated by circuitry on the preamplifier board itself and tests the filtering and amplification functions of that assembly along with the A/D converter on the motherboard. It does not test the PMT itself. (See also Section 12.5.7.2).



5.9.5. DARK CALIBRATION

The dark calibration test interrupts the signal path between the IR photo-detector and the remainder of the sync/demod board circuitry. This allows the instrument to compensate for any voltage levels inherent in the sync/demod circuitry that might affect the calculation of CO concentration. For details see Section 9.6.1.

5.9.6. PRESSURE CALIBRATION

A sensor at the exit of the sample chamber continuously measures the pressure of the sample gas. The data are used to compensate the final CO concentration calculation for changes in atmospheric pressure and are stored in the CPU's memory as the test function **PRES** (also viewable via the front panel). For details see Section 9.6.2.

5.9.7. FLOW CALIBRATION

The flow calibration allows the user to adjust the values of the sample flow rates as they are displayed on the front panel and reported through COMM ports to match the actual flow rate measured at the sample inlet. This does not change the hardware measurement of the flow sensors, only the software-calculated values. For details see Section 9.6.3.

5.9.8. TEST CHAN OUTPUT

When activated, output channel **A4** can be used in the standard configuration to report one of the test functions viewable from the SAMPLE mode display. (See also Section 12.5.8.2).

5.9.8.1. SELECTING A TEST CHANNEL FUNCTION FOR OUTPUT A4

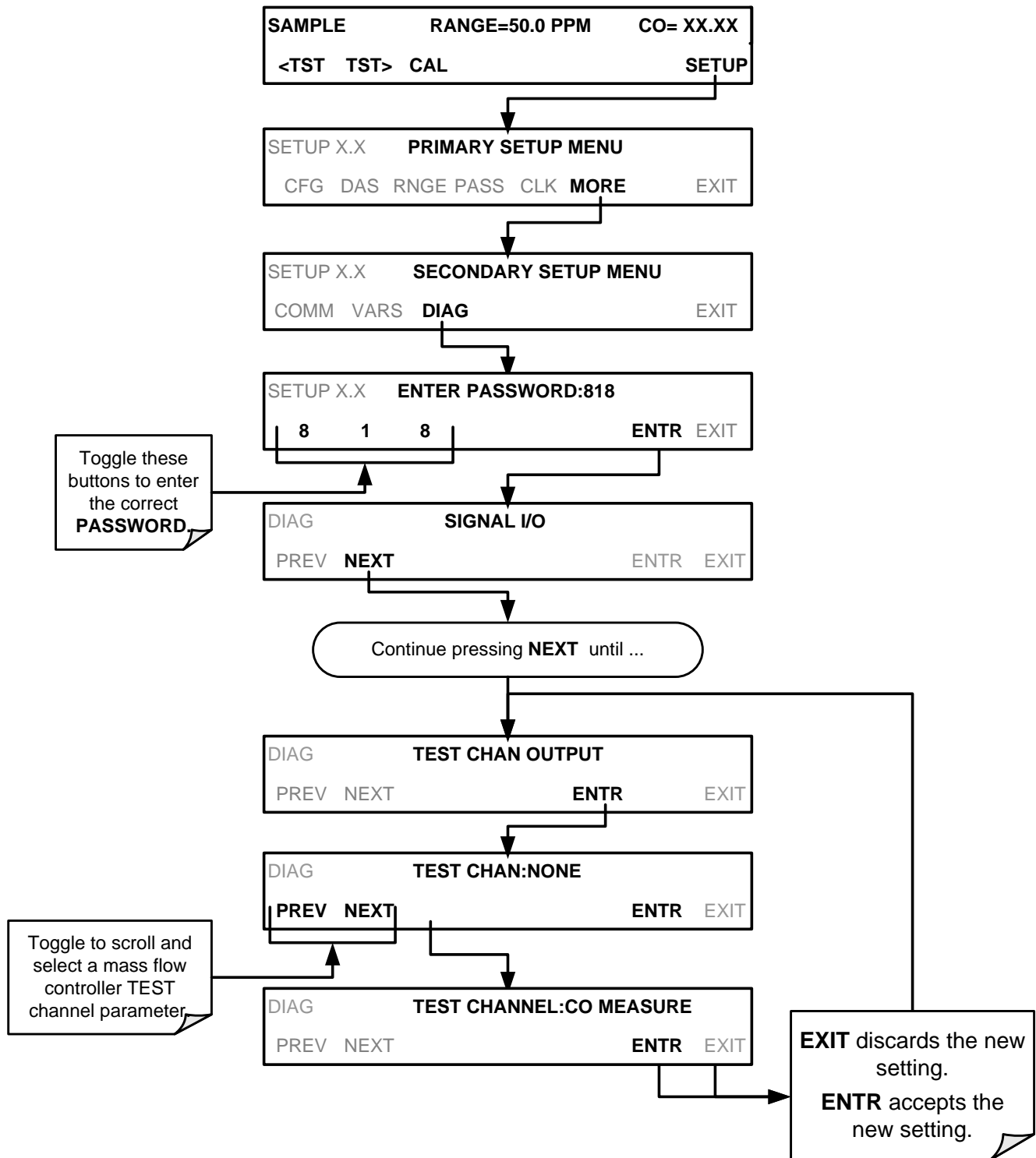
The test functions available to be reported are listed in Table 5-9:

Table 5-9: Test Channels Functions available on the T300/T300M's Analog Output

TEST CHANNEL	DESCRIPTION	ZERO	FULL SCALE *
NONE	<i>TEST CHANNEL IS TURNED OFF.</i>		
CO MEASURE	The demodulated, peak IR detector output during the measure portion of the GFC Wheel cycle.	0 mV	5000 mV
CO REFERENCE	The demodulated, peak IR detector output during the reference portion of the GFC Wheel cycle.	0 mV	5000 mV
SAMPLE PRESSURE	The absolute pressure of the Sample gas as measured by a pressure sensor located inside the sample chamber.	0 "Hg	40 "Hg
SAMPLE FLOW	Sample mass flow rate as measured by the flow rate sensor in the sample gas stream.	0 cm ³ /m	1000 cm ³ /m
SAMPLE TEMP	The temperature of the gas inside the sample chamber.	0°C	70°C
BENCH TEMP	Optical bench temperature.	0°C	70°C
WHEEL TEMP	GFC Wheel temperature.	0°C	70°C
O ₂ CELL TEMP ¹	The current temperature of the O ₂ sensor measurement cell.	n	70°C
CHASSIS TEMP	The temperature inside the analyzer chassis.	0°C	70°C
PHT DRIVE	The drive voltage being supplied to the thermoelectric coolers of the IR photo-detector by the Sync/Demod Board.	0 mV	5000 mV
* Maximum test signal value at full scale of test channel output.			
¹ When option installed.			

Once a function is selected, the instrument not only begins to output a signal on the analog output, but also adds **TEST** to the list of test functions viewable via the front panel display.

To activate the **TEST** Channel and select the **CO MEASURE** function, press:



5.10. SETUP → MORE → ALRM (OPTION): USING THE GAS CONCENTRATION ALARMS

The T300/T300M includes two CO concentration alarms if OPT 61 is installed on your instrument. Each alarm has a user settable limit, and is associated with a Single Pole Double Throw relay output accessible via the alarm output connector on the instrument's back panel (See Section 3.3.1.4). If the CO concentration measured by the instrument rises above that limit, the alarm's status output relay is closed.

The default settings for **ALM1** and **ALM2** are:

Table 5-10: CO Concentration Alarm Default Settings

ALARM	STATUS	LIMIT SET POINT¹
alm1	Disabled	100 ppm
alm2	Disabled	300 ppm

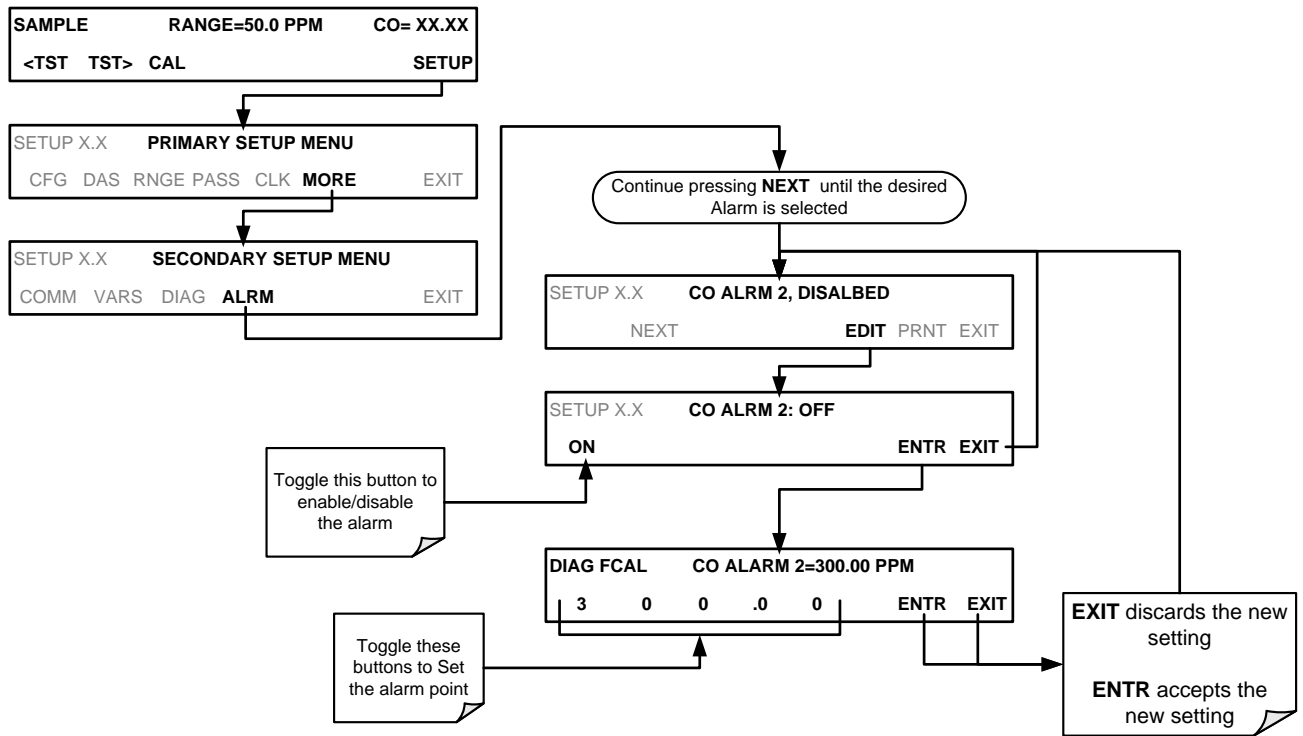
¹Set points listed are for PPM. Should the reporting range units of measure be changed (See Section 5.4.3) the analyzer will automatically scale the set points to match the new range unit setting.

Note

To prevent the concentration alarms from activating during span calibration operations ensure that the CAL or CALS button is pressed prior to introducing span gas into the analyzer.

5.10.1. SETTING THE T300 CONCENTRATION ALARM LIMITS

To enable either of the CO concentration alarms and set the limit points, press:



This page intentionally left blank.

6. COMMUNICATIONS SETUP AND OPERATION

This instrument rear panel connections include an Ethernet port, a USB port (option) and two serial communications ports (labeled RS232, which is the COM1 port, and COM2) located on the rear panel (refer to Figure 3-4). These ports give the user the ability to communicate with, issue commands to, and receive data from the analyzer through an external computer system or terminal.

This section provides pertinent information regarding communication equipment, describes the instrument's communications modes, presents configuration instructions for the communications ports, and provides instructions for their use, including communications protocol. Data acquisition is presented in Section 7.

6.1. DATA TERMINAL/COMMUNICATION EQUIPMENT (DTE DCE)

RS-232 was developed for allowing communications between data terminal equipment (DTE) and data communication equipment (DCE). Basic terminals always fall into the DTE category whereas modems are always considered DCE devices. The difference between the two is the pin assignment of the Data Receive and Data Transmit functions.

- DTE devices receive data on pin 2 and transmit data on pin 3.
- DCE devices receive data on pin 3 and transmit data on pin 2.

To allow the analyzer to be used with terminals (DTE), modems (DCE) and computers (which can be either), a switch mounted below the serial ports on the rear panel allows the user to set the RS-232 configuration for one of these two data devices. This switch exchanges the Receive and Transmit lines on RS-232 emulating a cross-over or null-modem cable. The switch has no effect on COM2.

6.2. COMMUNICATION MODES, BAUD RATE AND PORT TESTING

Use the `SETUP>MORE>COMM` menu to configure COM1 (labeled **RS232** on instrument rear panel) and/or COM2 (labeled **COM2** on instrument rear panel) for communication modes, baud rate and/or port testing for correct connection. If using a USB option communication connection, setup requires configuring the COM2 baud rate (Section 6.2.2).

6.2.1. COMMUNICATION MODES

Either of the analyzer's serial ports (**RS232** or **COM2** on rear panel) can be configured to operate in a number of different modes, which are described in Table 6-1. As modes are selected, the analyzer sums the mode ID numbers and displays this combined number on the front panel display. For example, if quiet mode (01), computer mode (02) and Multidrop-Enabled mode (32) are selected, the analyzer would display a combined **MODE ID** of **35**.

Table 6-1: COMM Port Communication Modes

MODE ¹	ID	DESCRIPTION
QUIET	1	Quiet mode suppresses any feedback from the analyzer (such as warning messages) to the remote device and is typically used when the port is communicating with a computer program where such intermittent messages might cause communication problems. Such feedback is still available but a command must be issued to receive them.
COMPUTER	2	Computer mode inhibits echoing of typed characters and is used when the port is communicating with a computer operated control program.
HESSEN PROTOCOL	16	The Hessen communications protocol is used in some European countries. TML P/N 02252 contains more information on this protocol.
E, 8, 1	8192	When turned on this mode switches the COMM port settings from <ul style="list-style-type: none"> • NO PARITY; 8 data bits; 1 stop bit to EVEN PARITY; 8 data bits; 1 stop bit.
E, 7, 1	2048	When turned on this mode switches the COM port settings from <ul style="list-style-type: none"> • NO PARITY; 8 DATA BITS; 1 stop bit to EVEN PARITY; 7 DATA BITS; 1 stop bit.
RS-485	1024	Configures the COM2 Port for RS-485 communication. RS-485 mode has precedence over multidrop mode if both are enabled.
SECURITY	4	When enabled, the serial port requires a password before it will respond (see Section 5.5). If not logged on, the only active command is the '?' request for the help screen.
MULTIDROP PROTOCOL	32	Multidrop protocol allows a multi-instrument configuration on a single communications channel. Multidrop requires the use of instrument IDs.
ENABLE MODEM	64	Enables to send a modem initialization string at power-up. Asserts certain lines in the RS-232 port to enable the modem to communicate.
ERROR CHECKING ²	128	Fixes certain types of parity errors at certain Hessen protocol installations.
XON/XOFF HANDSHAKE ²	256	Disables XON/XOFF data flow control also known as software handshaking.
HARDWARE HANDSHAKE	8	Enables CTS/RTS style hardwired transmission handshaking. This style of data transmission handshaking is commonly used with modems or terminal emulation protocols as well as by Teledyne Instrument's APICOM software.
HARDWARE FIFO ²	512	Disables the HARDWARE FIFO (First In – First Out). When FIFO is enabled it improves data transfer rate for that COM port.
COMMAND PROMPT	4096	Enables a command prompt when in terminal mode.

¹ Modes are listed in the order in which they appear in the **SETUP → MORE → COMM → COM[1 OR 2] → MODE** menu

² The default setting for this feature is **ON**. Do not disable unless instructed to by Teledyne ML's Customer Service personnel.

Communication Modes for each COM port must be configured independently. To turn on or off the communication modes for either COM1 or COM2, access the **SETUP>MORE>[COM1 or COM2]** menu and at the **COM1[2] Mode** menu press **EDIT**.

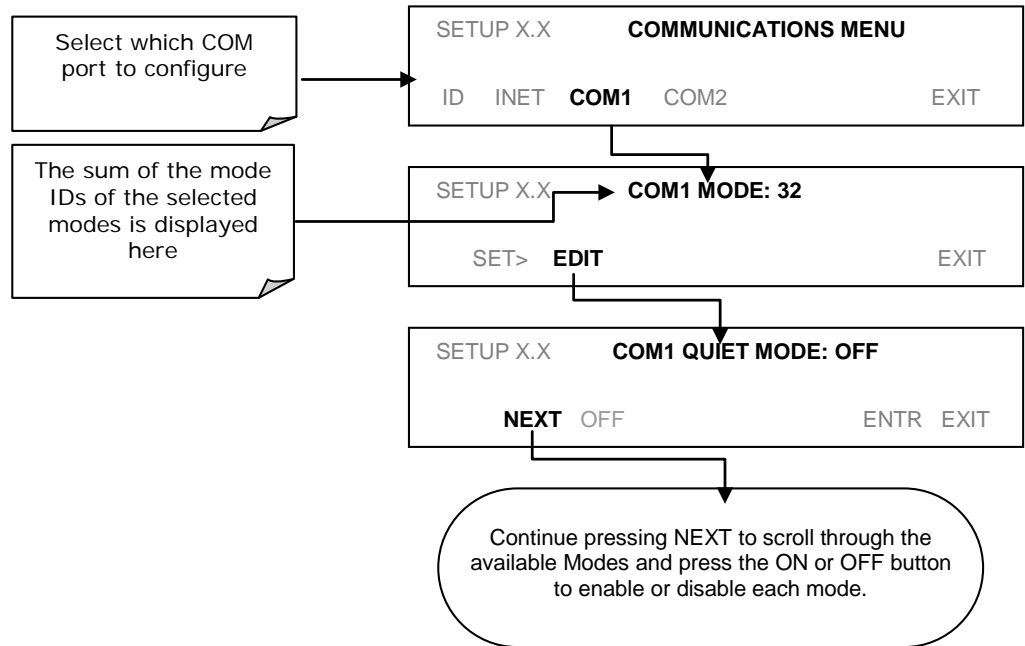


Figure 6-1: COM1[2] – Communication Modes Setup

6.2.2. COM PORT BAUD RATE

To select the baud rate of either COM Port, go to **SETUP>MORE>COMM** and select either COM1 or COM2 as follows (use COM2 to view/match your personal computer baud rate when using the USB port, Section 6.6):

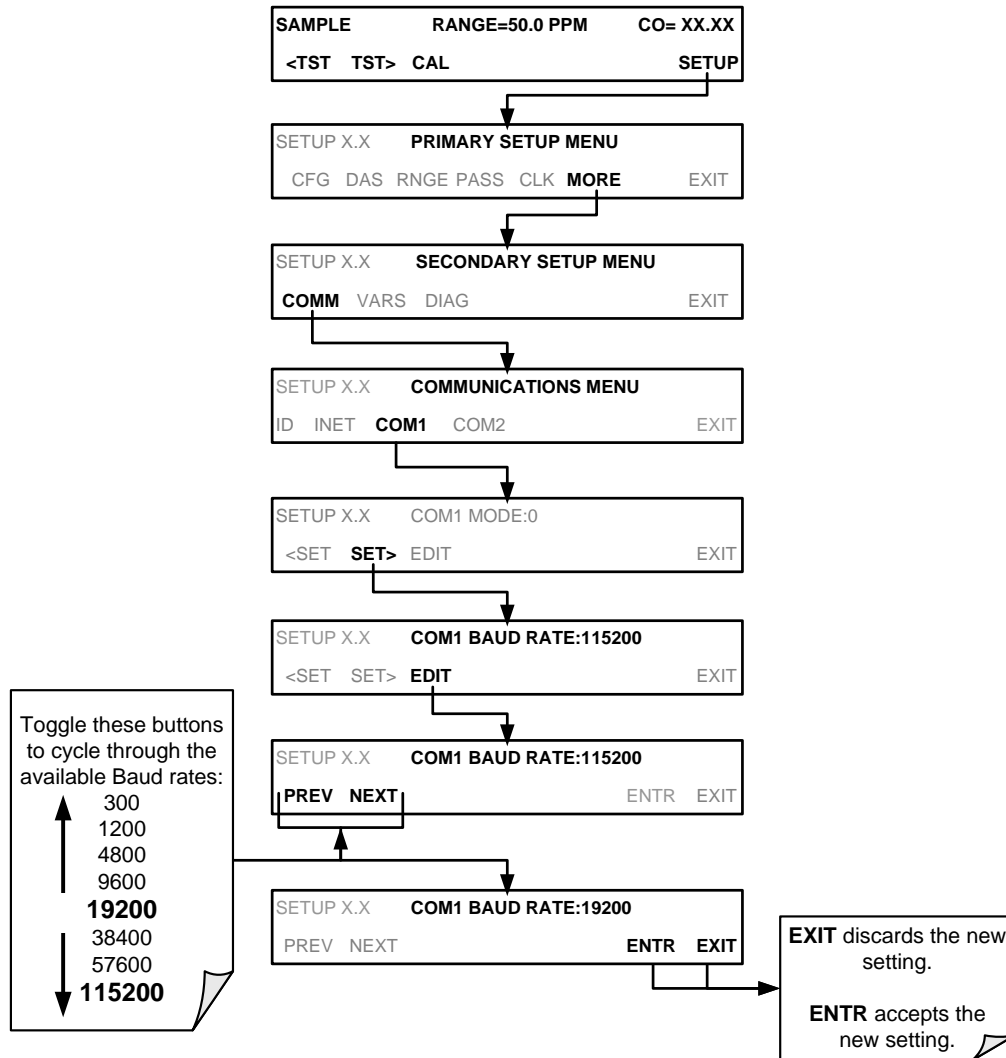


Figure 6-2: COMM Port Baud Rate

6.2.3. COM PORT TESTING

The serial ports can be tested for correct connection and output in the **COMM** menu. This test sends a string of 256 'w' characters to the selected COM port. While the test is running, the red LED labeled TX for that COM port on the instrument's rear panel analyzer should flicker.

To initiate the test, access the COMMUNICATIONS Menu (SETUP>MORE>COMM), then press:

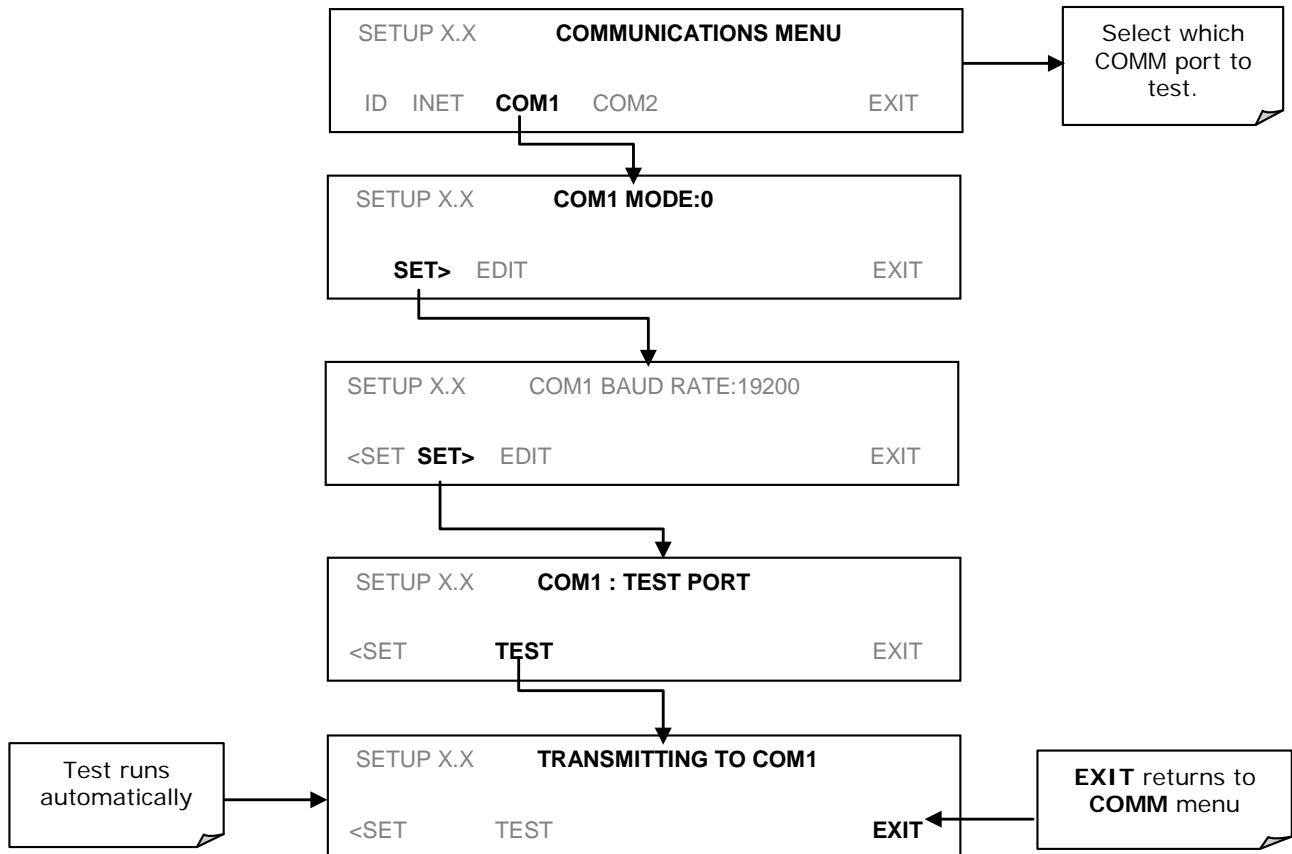


Figure 6-3: COMM – COM1 Test Port

6.3. RS-232

The RS232 and COM2 communications (COMM) ports operate on the RS-232 protocol (default configuration). Possible configurations for these two COMM ports are summarized as follows:

- RS232 port can also be configured to operate in single or RS-232 Multidrop mode (Option 62); refer to Sections 3.3.1.8 and 5.7.1.
- COM2 port can be left in its default configuration for standard RS-232 operation including multidrop, or it can be reconfigured for half-duplex RS-485 operation (please contact the factory for this configuration).

Note that when the rear panel **COM2** port is in use, except for multidrop communication, the rear panel USB port cannot be used. (Alternatively, when the USB port is enabled, **COM2** port cannot be used except for multidrop).

A Code-Activated Switch (CAS), can also be used on either port to connect typically between 2 and 16 send/receive instruments (host computer(s) printers, data loggers, analyzers, monitors, calibrators, etc.) into one communications hub. Contact Teledyne ML Sales for more information on CAS systems.

To assist in properly connecting the serial ports to either a computer or a modem, there are activity indicators just above the RS-232 port. Once a cable is connected between the analyzer and a computer or modem, both the red and green LEDs should be on.

- If the lights are not lit, use small switch on the rear panel to switch it between DTE and DCE modes.
 - If both LEDs are still not illuminated, make sure the cable properly constructed.
- To configure the analyzers communication ports use the **SETUP>MORE>COMM** menu. Refer to Section 5.7.3 for initial setup.

6.4. RS-485 (OPTION)

The COM2 port of the instrument's rear panel is set up for RS-232 communication but can be reconfigured for RS-485 communication. Contact Customer Service. If this option was elected at the time of purchase, the rear panel was preconfigured at the factory. Choosing this option disallows use of the USB port.

6.5. ETHERNET

When using the Ethernet interface, the analyzer can be connected to any standard 10BaseT or 100BaseT Ethernet network via low-cost network hubs, switches or routers. The interface operates as a standard TCP/IP device on port 3000. This allows a remote computer to connect through the network to the analyzer using APICOM, terminal emulators or other programs.

The Ethernet cable connector on the rear panel has two LEDs indicating the Ethernet's current operating status.

Table 6-2: Ethernet Status Indicators

LED	FUNCTION
amber (link)	On when connection to the LAN is valid.
green (activity)	Flickers during any activity on the LAN.

The analyzer is shipped with DHCP enabled by default. This allows the instrument to be connected to a network or router with a DHCP server. The instrument will automatically be assigned an IP address by the DHCP server (Section 6.5.2). This configuration is useful for quickly getting an instrument up and running on a network. However, for permanent Ethernet connections, a static IP address should be used. Section 6.5.1 below details how to configure the instrument with a static IP address.

6.5.1. CONFIGURING ETHERNET COMMUNICATION MANUALLY (STATIC IP ADDRESS)

To configure Ethernet communication manually:

1. Connect a cable from the analyzer's Ethernet port to a Local Area Network (LAN) or Internet port.
2. From the analyzer's front panel touchscreen, access the Communications Menu (SETUP>MORE>COMM).
3. Enter the Ethernet menu (INET), follow the setup sequence as shown in Figure 6-4, and edit the Instrument and Gateway IP addresses and Subnet Mask to the desired settings.

Alternatively, from the computer, enter the same information through an application such as HyperTerminal.

Table 6-3 shows the default Ethernet configuration settings.

Table 6-3: LAN/Internet Default Configuration Properties

PROPERTY	DEFAULT STATE	DESCRIPTION
DHCP	ON	This displays whether the DHCP is turned ON or OFF. Press EDIT and toggle ON for automatic configuration after first consulting network administrator.
INSTRUMENT IP ADDRESS		This string of four packets of 1 to 3 numbers each (e.g. 192.168.76.55.) is the address of the analyzer itself.
GATEWAY IP ADDRESS	0.0.0.0	Can only be edited when DHCP is set to OFF. A string of numbers very similar to the Instrument IP address (e.g. 192.168.76.1.) that is the address of the computer used by your LAN to access the Internet.
SUBNET MASK	0.0.0.0	Can only be edited when DHCP is set to OFF. Also a string of four packets of 1 to 3 numbers each (e.g. 255.255.252.0) that identifies the LAN to which the device is connected. All addressable devices and computers on a LAN must have the same subnet mask. Any transmissions sent to devices with different subnets are assumed to be outside of the LAN and are routed through the gateway computer onto the Internet.
TCP PORT¹	3000	This number defines the terminal control port by which the instrument is addressed by terminal emulation software, such as Internet or Teledyne ML's APICOM.
HOST NAME	[initially blank]	The name by which your analyzer will appear when addressed from other computers on the LAN or via the Internet. To change, see Section 6.5.3.
¹ Do not change the setting for this property unless instructed to by Teledyne ML's Customer Service personnel.		

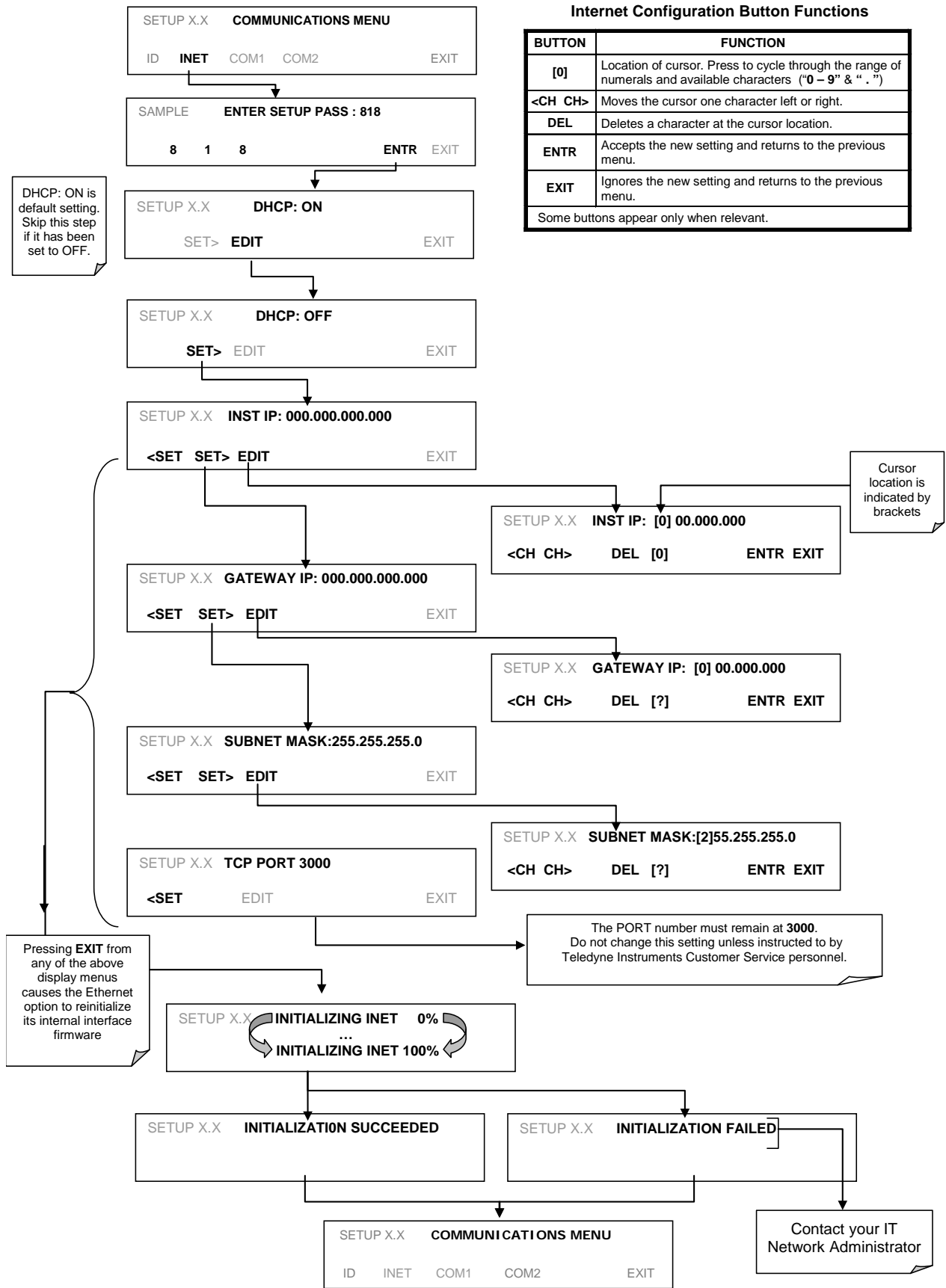


Figure 6-4: COMM – LAN / Internet Manual Configuration

6.5.2. CONFIGURING ETHERNET COMMUNICATION USING DYNAMIC HOST CONFIGURATION PROTOCOL (DHCP)

The default Ethernet setting is DHCP.

1. See your network administrator to affirm that your network server is running DHCP.
2. Access the Communications Menu (SETUP>MORE>COMM) and follow the setup sequence as shown in Figure 6-5.

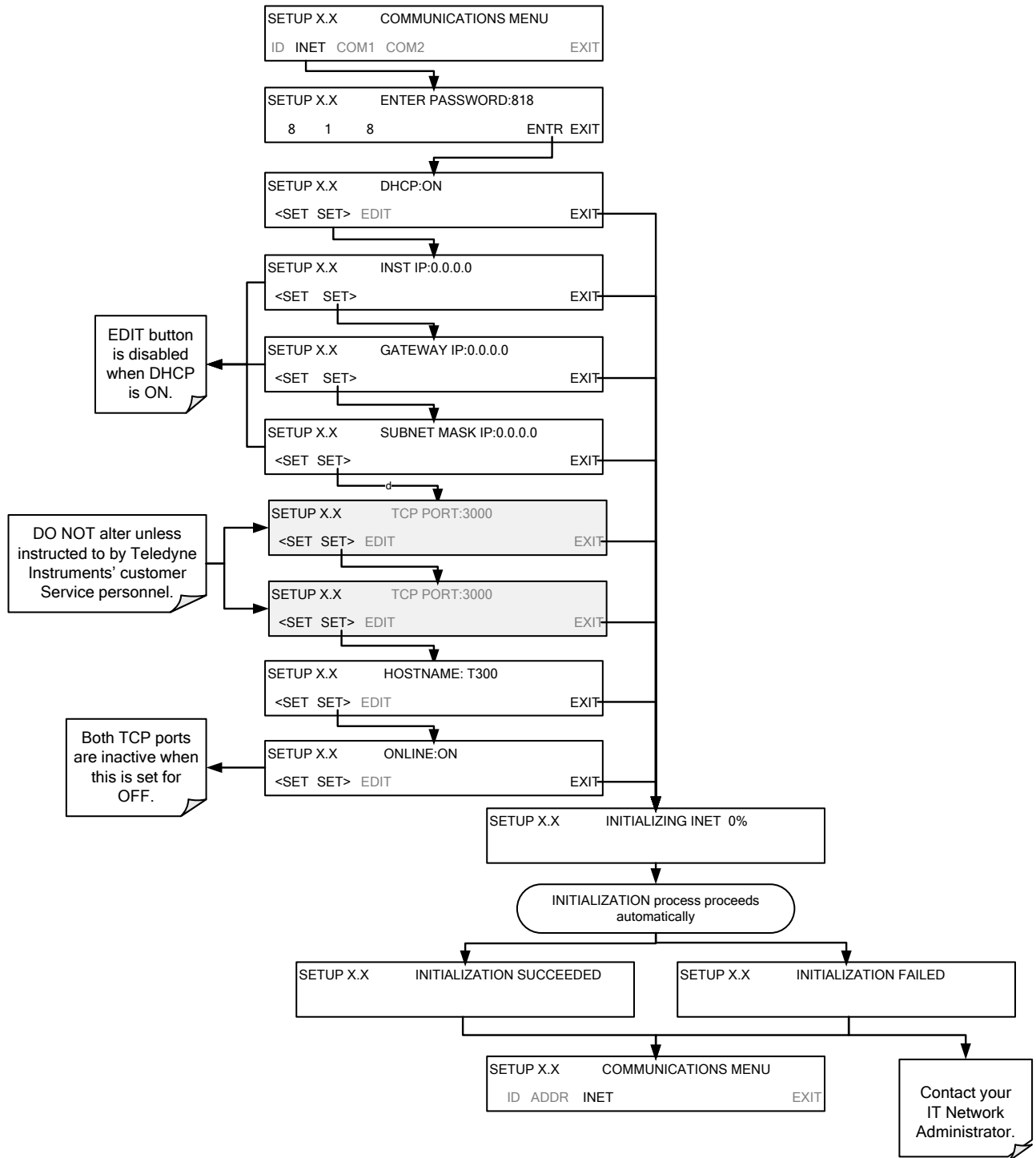
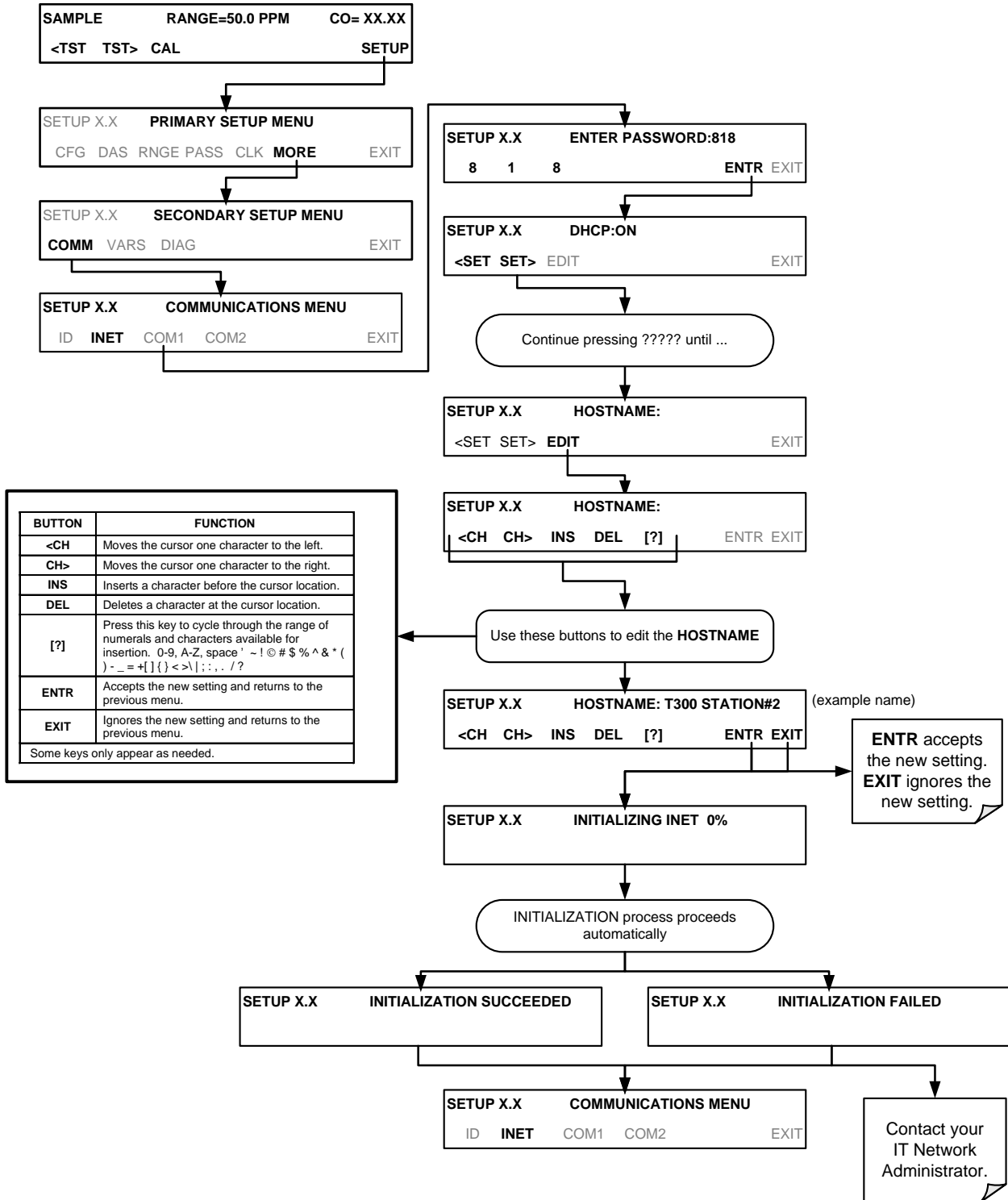


Figure 6-5 : COMM – LAN / Internet Automatic Configuration (DHCP)

6.5.3. CHANGING THE ANALYZER’S HOSTNAME

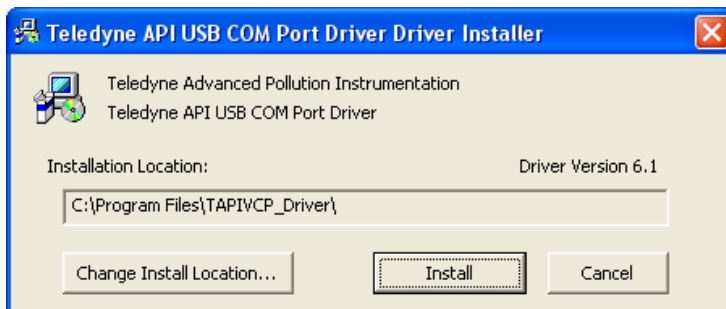
The **HOSTNAME** is the name by which the analyzer appears on your network. The default name for all Teledyne ML’s T300 analyzers is **T300**. To change this name (particularly if you have more than one T300/T300M Analyzer on your network), press:



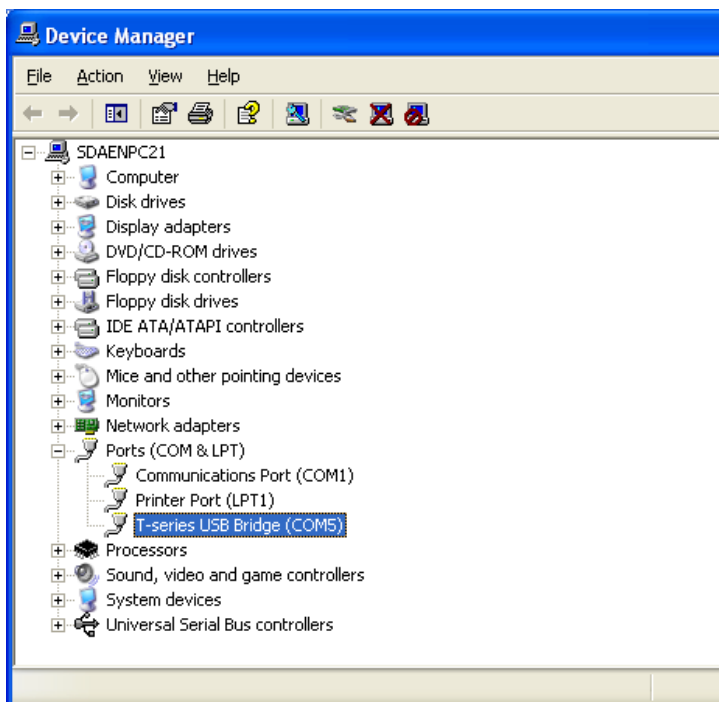
6.6. USB PORT (OPTION) FOR REMOTE ACCESS

The analyzer can be operated through a personal computer by downloading the TML USB driver and directly connecting their respective USB ports.

1. Install the Teledyne T-Series USB driver on your computer, downloadable from the Teledyne API website under Help Center>Software Downloads (www.teledyne-api.com/software).
2. Run the installer file: "TAPIVCPInstaller.exe"

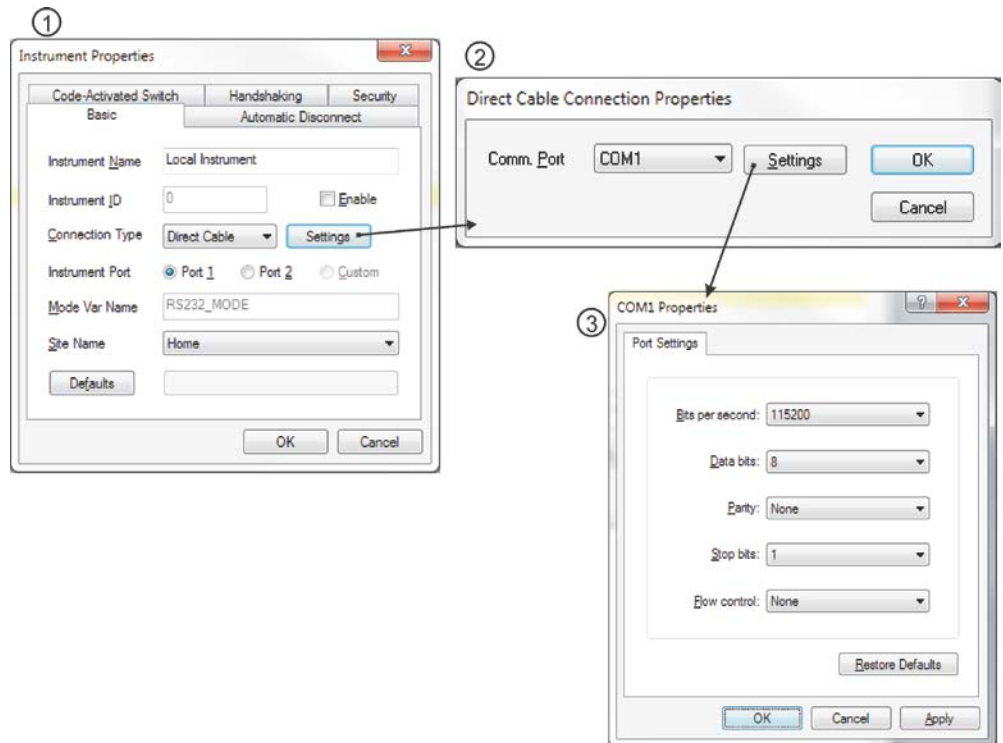


3. Connect the USB cable between the USB ports on your personal computer and your analyzer. The USB cable should be a Type A – Type B cable, commonly used as a USB printer cable.
4. Determine the Windows XP Com Port number that was automatically assigned to the USB connection. (Start → Control Panel → System → Hardware → Device Manager). This is the com port that should be set in the communications software, such as APICOM or Hyperterminal.



Refer to the Quick Start (*Direct Cable Connection*) section of the Teledyne APICOM Manual, PN 07463.

- In the instrument's SETUP>MORE>COMM>COM2 menu, make the following settings:
 Baud Rate: 115200
 COM2 Mode Settings:
 Quiet Mode ON
 Computer Mode ON
 MODBUS RTU OFF
 MODBUS ASCII OFF
 E,8,1 MODE OFF
 E,7,1 MODE OFF
 RS-485 MODE OFF
 SECURITY MODE OFF
 MULTIDROP MODE OFF
 ENABLE MODEM OFF
 ERROR CHECKING ON
 XON/XOFF HANDSHAKE OFF
 HARDWARE HANDSHAKE OFF
 HARDWARE FIFO ON
 COMMAND PROMPT OFF
- Next, configure your communications software, such as APICOM. Use the COM port determined in Step 4 and the baud rate set in Step 5. The figures below show how these parameters would be configured in the Instrument Properties window in APICOM when configuring a new instrument. See the APICOM manual (PN 07463) for more details.



Note

- USB configuration requires that the baud rates of the instrument and the PC match; check the PC baud rate and change if needed.**
- Using the USB port disallows use of the rear panel COM2 port except for multidrop communication.**

6.7. COMMUNICATIONS PROTOCOLS

Two communications protocols available with the analyzer are MODBUS and Hessen. MODBUS setup instructions are provided here (Section 6.7.1) and registers are provided in Appendix A. Hessen setup and operation instructions are provided in Section 6.7.2.

6.7.1. MODBUS

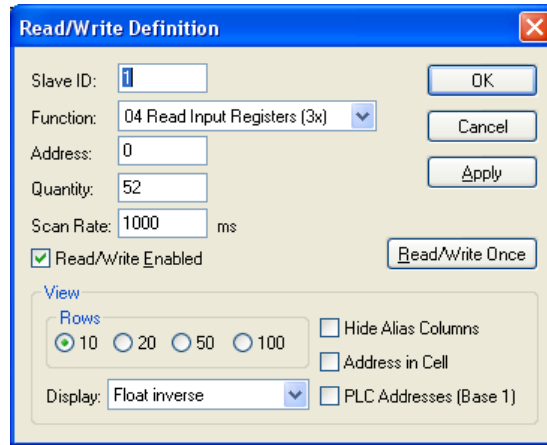
The following set of instructions assumes that the user is familiar with MODBUS communications, and provides minimal information to get started. For additional instruction, please refer to the Teledyne ML MODBUS manual, PN 06276. Also refer to www.modbus.org for MODBUS communication protocols.

Minimum Requirements

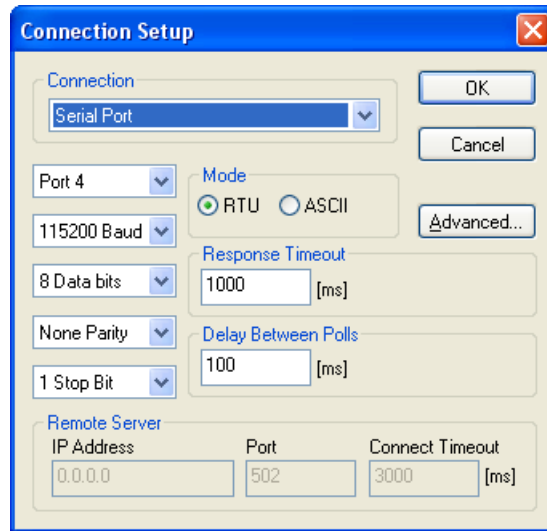
- Instrument firmware with MODBUS capabilities installed.
- MODBUS-compatible software (TML uses MODBUS Poll for testing; see www.modbustools.com)
- Personal computer
- Communications cable (Ethernet or USB or RS232)
- Possibly a null modem adapter or cable

MODBUS Setup:	
Set Com Mode parameters	
Comm	<p>Ethernet: Using the front panel menu, go to SETUP – MORE – COMM – INET; scroll through the INET submenu until you reach TCP PORT 2 (the standard setting is 502), then continue to TCP PORT 2 MODBUS TCP/IP; press EDIT and toggle the menu button to change the setting to ON, then press ENTR. (Change Machine ID if needed: see “Slave ID”).</p> <p>USB/RS232: Using the front panel menu, go to SETUP – MORE – COMM – COM2 – EDIT; scroll through the COM2 EDIT submenu until the display shows COM2 MODBUS RTU: OFF (press OFF to change the setting to ON. Scroll NEXT to COM2 MODBUS ASCII and ensure it is set to OFF. Press ENTR to keep the new settings. (If RTU is not available with your communications equipment, set the COM2 MODBUS ASCII setting to ON and ensure that COM2 MODBUS RTU is set to OFF. Press ENTR to keep the new settings).</p>
Slave ID	A MODBUS slave ID must be set for each instrument. Valid slave ID's are in the range of 1 to 247. If your analyzer is connected to a serial network (i.e., RS-485), a unique Slave ID must be assigned to each instrument. To set the slave ID for the instrument, go to SETUP – MORE – COMM – ID. The default MACHINE ID is the same as the model number. Toggle the menu buttons to change the ID.
Reboot analyzer	For the settings to take effect, power down the analyzer, wait 5 seconds, and power up the analyzer.
Make appropriate cable connections	<p>Connect your analyzer either:</p> <ul style="list-style-type: none"> • via its Ethernet or USB port to a PC (this may require a USB-to-RS232 adapter for your PC; if so, also install the software driver from the CD supplied with the adapter, and reboot the computer if required), or • via its COM2 port to a null modem (this may require a null modem adapter or cable).
Specify MODBUS software settings (examples used here are for MODBUS Poll software)	<ol style="list-style-type: none"> 1. Click Setup / [Read / Write Definition] /. <ol style="list-style-type: none"> a. In the Read/Write Definition window (see example that follows) select a Function (what you wish to read from the analyzer). b. Input Quantity (based on your firmware's register map). c. In the View section of the Read/Write Definition window select a Display (typically Float Inverse). d. Click OK. 2. Next, click Connection/Connect. <ol style="list-style-type: none"> a. In the Connection Setup window (see example that follows), select the options based on your computer. b. Press OK.
Read the Modbus Poll Register	Use the Register Map to find the test parameter names for the values displayed (see example that follows). If desired, assign an alias for each.

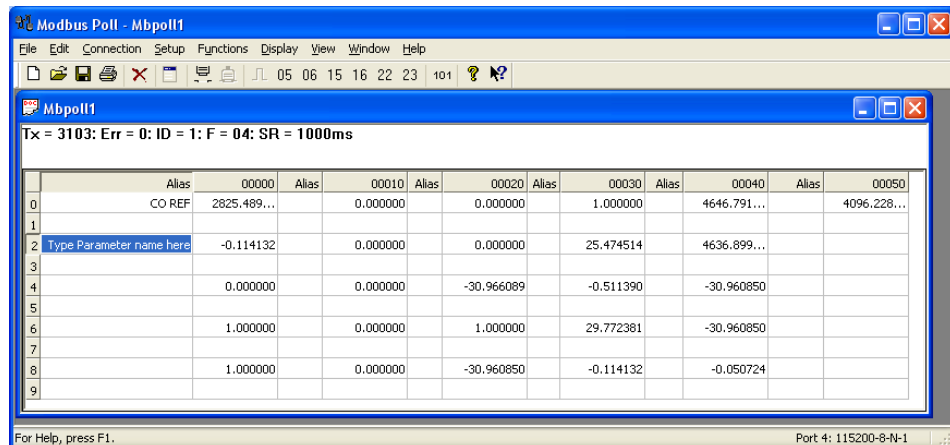
Example Read/Write Definition window:



Example Connection Setup window:



Example MODBUS Poll window:



6.7.2. HESSEN

The Hessen protocol is a multidrop protocol, in which several remote instruments are connected via a common communications channel to a host computer. The remote

instruments are regarded as slaves of the host computer. The remote instruments are unaware that they are connected to a multidrop bus and never initiate Hessen protocol messages. They only respond to commands from the host computer and only when they receive a command containing their own unique ID number.

The Hessen protocol is designed to accomplish two things: to obtain the status of remote instruments, including the concentrations of all the gases measured; and to place remote instruments into zero or span calibration or measure mode. TML's implementation supports both of these principal features.

The Hessen protocol is not well defined; therefore while TML's application is completely compatible with the protocol itself, it may be different from implementations by other companies.

Note

The following sections describe the basics for setting up your instrument to operate over a Hessen Protocol network.

For more detailed information as well as a list of host computer commands and examples of command and response message syntax, download the Manual Addendum for Hessen Protocol from the Teledyne ML web site: <http://www.teledyne-ml.com/manuals/>.

6.7.2.1. HESSEN COMM PORT CONFIGURATION

Hessen protocol requires the communication parameters of the T300/T300M Analyzer's COMM ports to be set differently than the standard configuration as shown in Table 6-4.

Table 6-4: RS-232 Communication Parameters for Hessen Protocol

PARAMETER	STANDARD	HESSEN
Baud Rate	300 – 19200	1200
Data Bits	8	7
Stop Bits	1	2
Parity	None	Even
Duplex	Full	Half

To change the baud rate of the T300/T300M's COMM ports, see Section 6.2.2.

To change the rest of the COMM port parameters listed in Table 6-4, see Section 6.2 and Table 6-1.

IMPORTANT**IMPACT ON READINGS OR DATA**

Ensure that the communication parameters of the host computer are also properly set.

Note

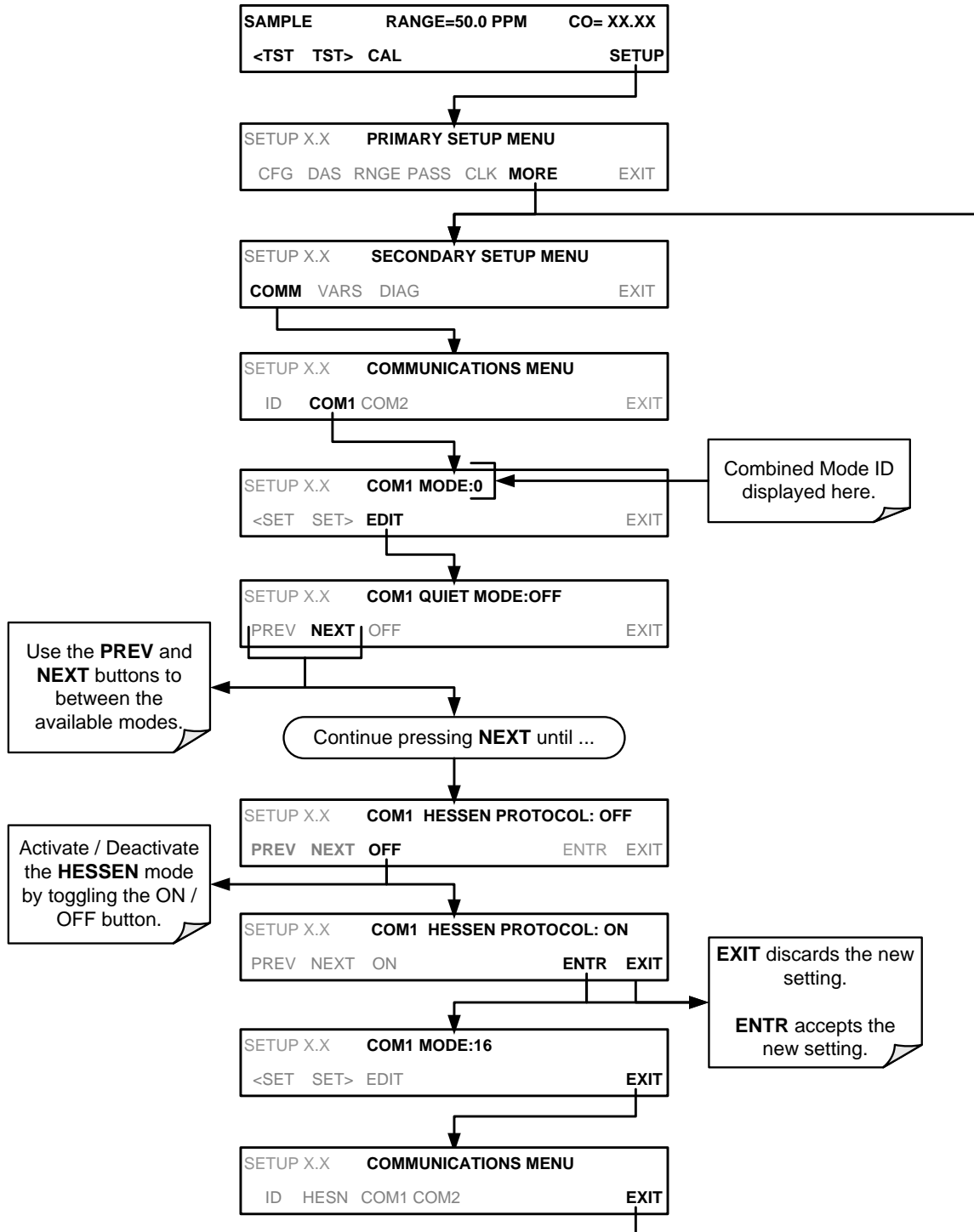
The instrument software has 200 ms latency before it responds to commands issued by the host computer. This latency should present no

problems, but you should be aware of it and not issue commands to the instrument too quickly.

6.7.2.2. ACTIVATING HESSEN PROTOCOL

Once the COMM port has been properly configured, the next step in configuring the T300/T300M to operate over a Hessen protocol network is to activate the Hessen mode for COMM ports and configure the communication parameters for the port(s) appropriately.

To activate the Hessen Protocol, press:

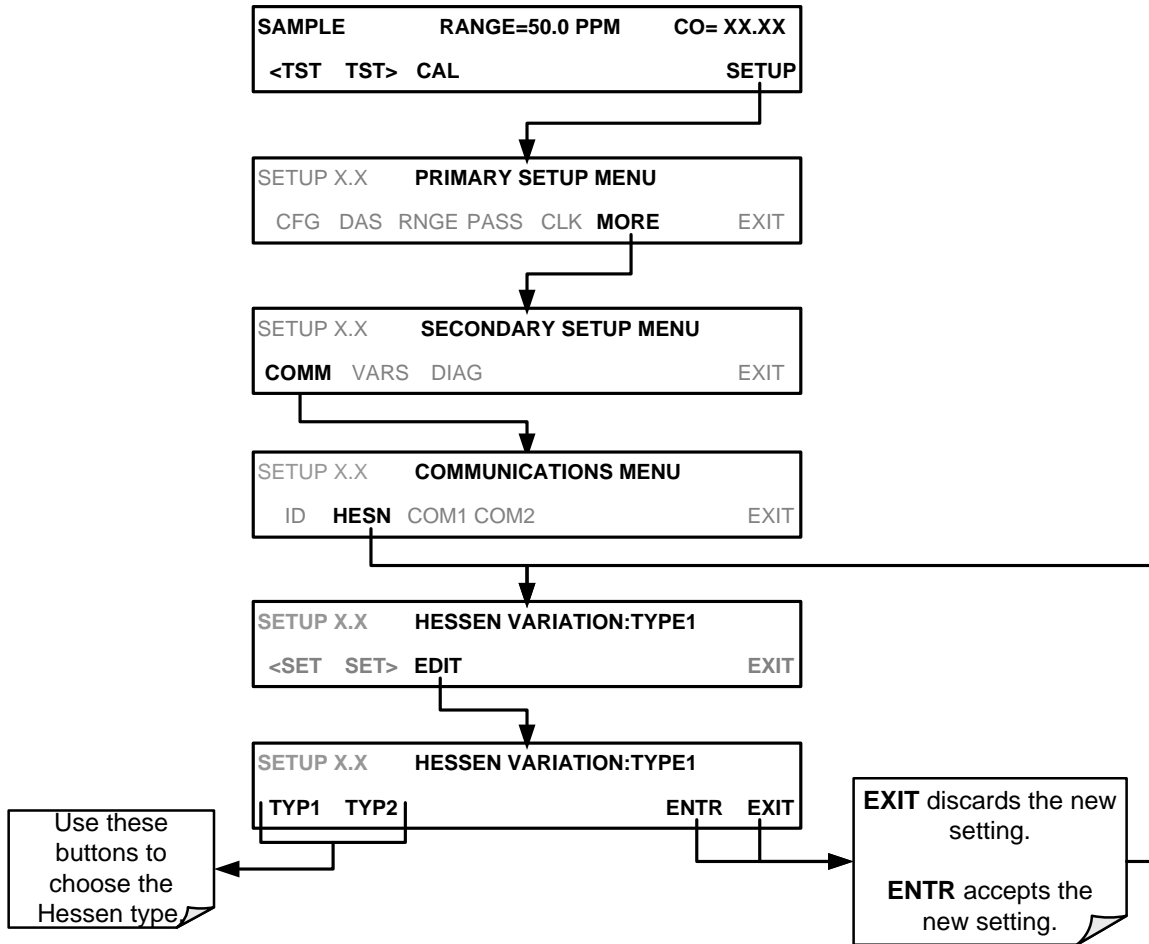


6.7.2.3. SELECTING A HESSEN PROTOCOL TYPE

Currently there are two versions of Hessen Protocol in use. The original implementation, referred to as **TYPE 1**, and a more recently released version, **TYPE 2** that has more flexibility when operating with instruments that can measure more than one type of gas.

For more specific information about the difference between **TYPE 1** and **TYPE 2** download the *Manual Addendum for Hessen Protocol* from the Teledyne ML web site: <http://www.teledyne-ml.com/manuals/>.

To select a Hessen Protocol Type press:



Note

While Hessen Protocol Mode can be activated independently for RS-232 and COM2, the TYPE selection affects both Ports.

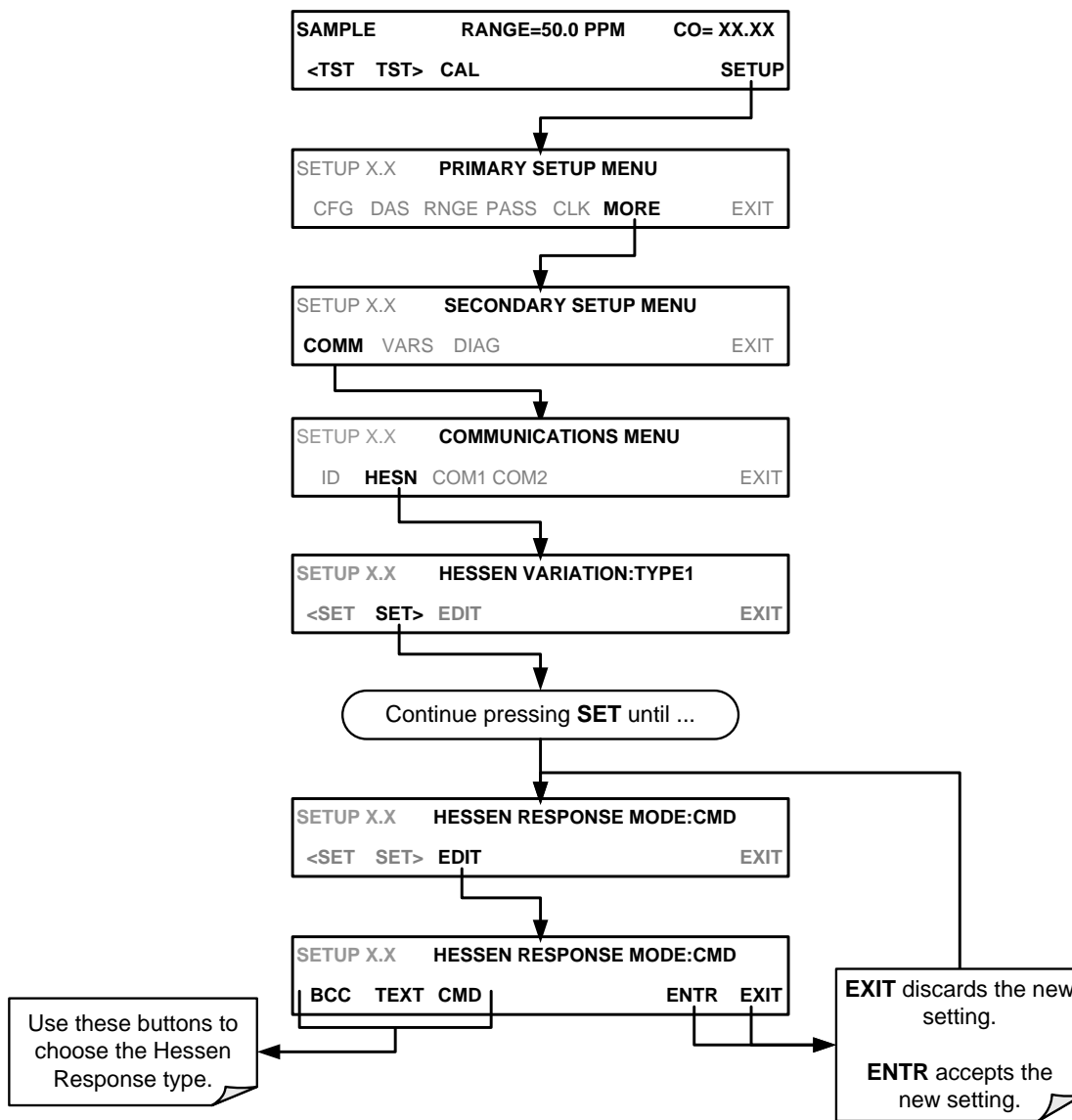
6.7.2.4. SETTING THE HESSEN PROTOCOL RESPONSE MODE

The Teledyne ML’s implementation of Hessen Protocol allows the user to choose one of several different modes of response for the analyzer.

Table 6-5: Teledyne ML’s Hessen Protocol Response Modes

MODE ID	MODE DESCRIPTION
CMD	This is the Default Setting. Responses from the instrument are encoded as the traditional command format. Style and format of responses depend on exact coding of the initiating command.
BCC	Responses from the instrument are always delimited with <STX> (at the beginning of the response, <ETX> (at the end of the response followed by a 2 digit Block Check Code (checksum), regardless of the command encoding.
TEXT	Responses from the instrument are always delimited with <CR> at the beginning and the end of the string, regardless of the command encoding.

To select a Hessen response mode, press:



6.7.3. HESSEN PROTOCOL GAS LIST ENTRIES

6.7.3.1. HESSEN PROTOCOL GAS ID

The T300/T300M Analyzer keeps a list of available gas types. Each entry in this list takes the following format:

[GAS TYPE],[RANGE],[GAS ID],[REPORTED]

WHERE:

GAS TYPE = the type of gas to be reported (e.g. CO, CO₂, O₂, etc.).

RANGE = the concentration range for this entry in the gas list. This feature permits the user to select which concentration range will be used for this gas list entry. The T300/T300M Analyzer has two ranges: **RANGE1** or LOW & **RANGE2** or HIGH (See Section 5.4.1).

0 - The HESSEN protocol to use whatever range is currently active.

1 - The HESSEN protocol will always use **RANGE1** for this gas list entry.

2 - The HESSEN protocol will always use **RANGE2** for this gas list entry.

3 - Not applicable to the T300/T300M Analyzer.

GAS ID = an identification number assigned to a specific gas. In the case of the T300/T300M Analyzer in its base configuration, there is only one gas CO, and its default GAS ID is 310. This ID number should not be modified.

REPORT = States whether this list entry is to be reported or not reported when ever this gas type or instrument is polled by the HESSEN network. If the list entry is not to be reported this field will be blank.

While the T300/T300M Analyzer is a single gas instrument that measures CO, it can have additional, optional sensors for CO₂ or O₂ installed. The default gas list entries for these three gases are:

CO, 0, 310, REPORTED

CO₂, 0, 311, REPORTED

O₂, 0, 312, REPORTED

These default settings cause the instrument to report the concentration value of the currently active range. If you wish to have just concentration value stored for a specific range, this list entry should be edited or additional entries should be added to the list.

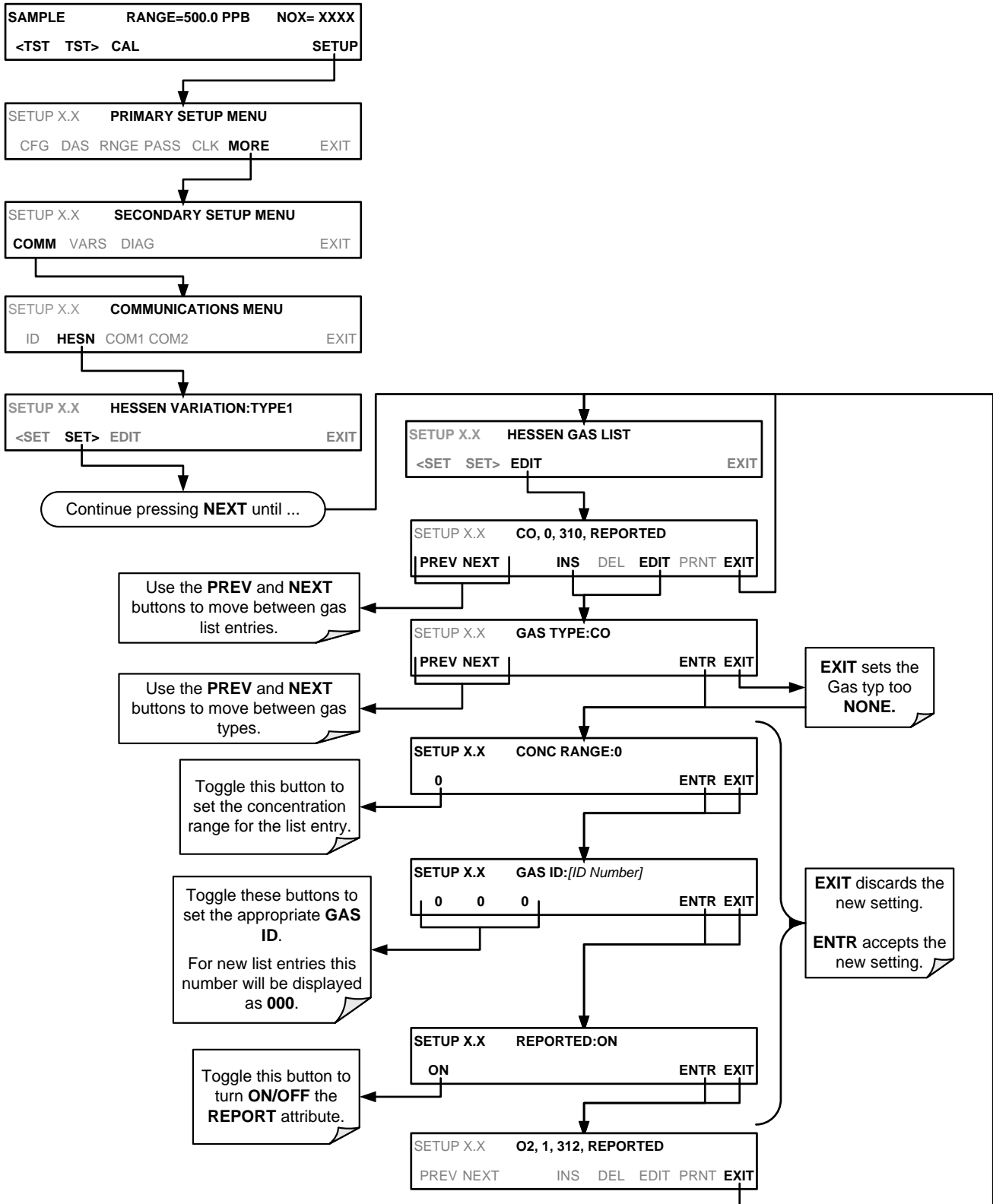
EXAMPLE: Changing the above CO gas list entry to read:

CO, 2, 310, REPORTED

would cause only the last CO reading while **RANGE2** (HIGH) range was active to be recorded.

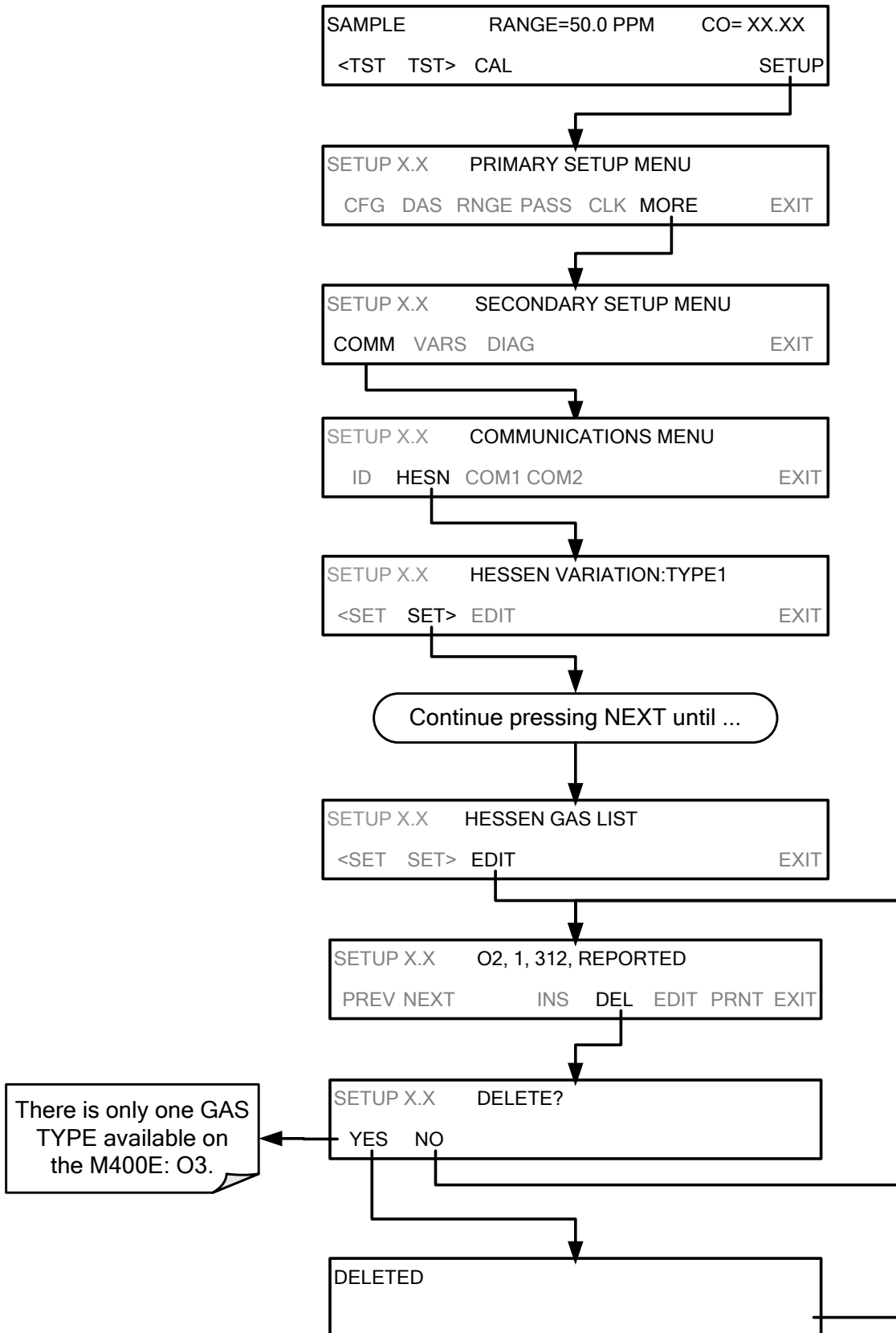
6.7.3.2. EDITING OR ADDING HESSEN GAS LIST ENTRIES

To add or edit an entry to the Hessen Gas List, press:



6.7.3.3. DELETING HESSEN GAS LIST ENTRIES

To delete an entry from the Hessen Gas list, press:



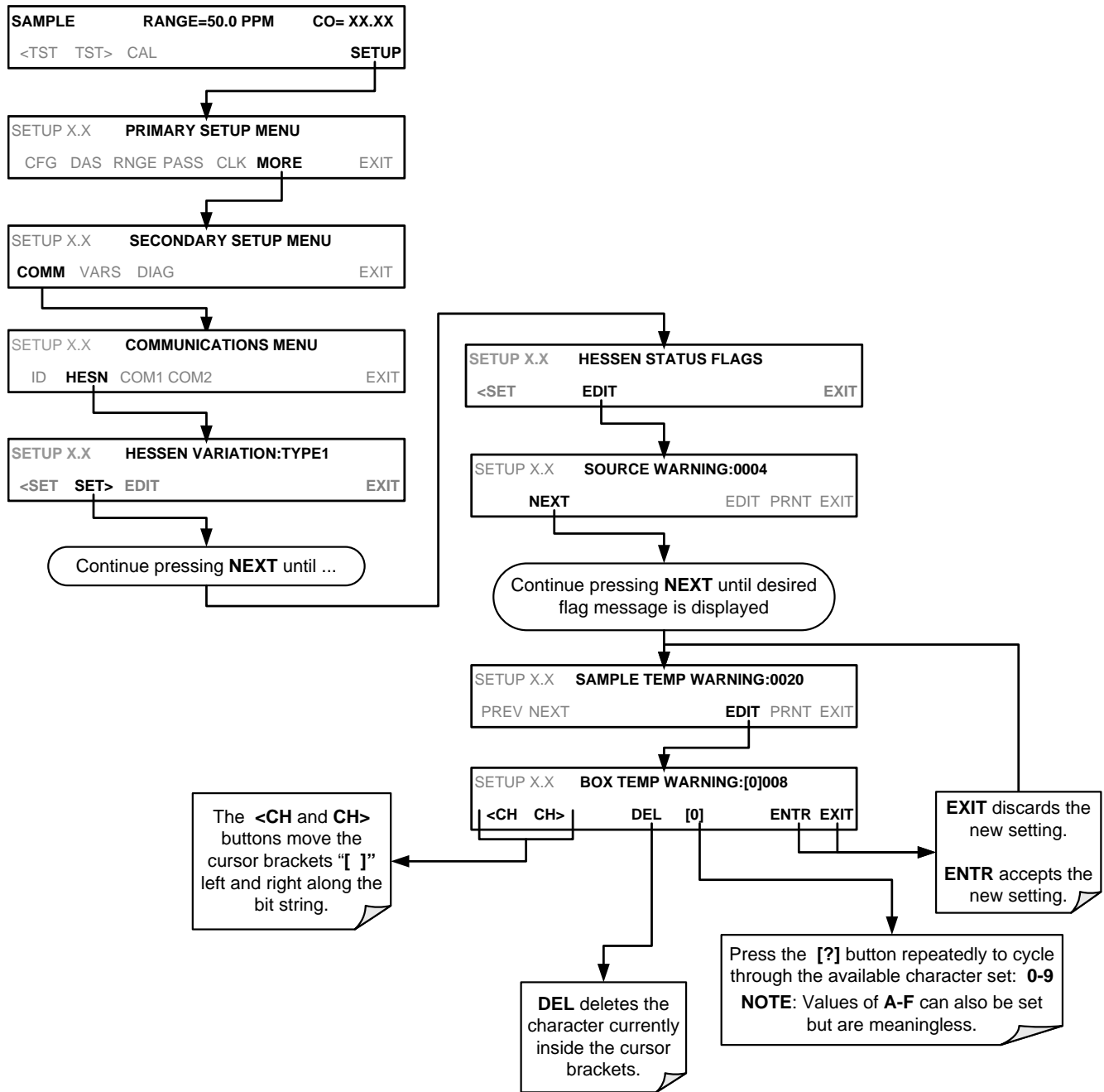
6.7.3.4. SETTING HESSEN PROTOCOL STATUS FLAGS

Teledyne ML's implementation of Hessen protocols includes a set of status bits that the instrument includes in responses to inform the host computer of its condition. Each bit can be assigned to one operational and warning message flag. The default settings for these bit/flags are:

Table 6-6: Default Hessen Status Flag Assignments

STATUS FLAG NAME	DEFAULT BIT ASSIGNMENT
WARNING FLAGS	
SAMPLE FLOW WARNING	0001
BENCH TEMP WARNING	0002
SOURCE WARNING	0004
BOX TEMP WARNING	0008
WHEEL TEMP WARNING	0010
SAMPLE TEMP WARN	0020
SAMPLE PRESS WARN	0040
INVALID CONC (The Instrument's Front Panel Display Will Show The Concentration As "Warnings")	0080
OPERATIONAL FLAGS¹	
Instrument OFF	0100
In MANUAL Calibration Mode	0200
In ZERO Calibration Mode ⁴	0400
In O ₂ Calibration Mode (if O ₂ sensor installed) ^{2,4}	0400
In CO ₂ Calibration Mode (if CO ₂ sensor installed) ^{2,4}	0400
In SPAN Calibration Mode	0800
UNITS OF MEASURE FLAGS	
UGM	0000
MGM	2000
PPB	4000
PPM	6000
SPARE/UNUSED BITS	1000, 8000
UNASSIGNED FLAGS (0000)	
AZERO WARN²	DCPS WARNING
CANNOT DYN SPAN²	REAR BOARD NOT DET
CANNOT DYN ZERO³	SYNC WARNING¹
CONC ALARM 1³	SYSTEM RESET¹
CONC ALARM 2³	
¹ These status flags are standard for all instruments and should probably not be modified. ² Only applicable if the optional internal span gas generator is installed. ³ Only applicable if the analyzer is equipped with an alarm options. ³ It is possible to assign more than one flag to the same Hessen status bit. This allows the grouping of similar flags, such as all temperature warnings, under the same status bit. Be careful not to assign conflicting flags to the same bit as each status bit will be triggered if any of the assigned flags is active.	

To assign or reset the status flag bit assignments, press:



6.7.3.5. INSTRUMENT ID

Each instrument on a Hessen Protocol network must have a unique identifier (ID number). If more than one T300/T300M analyzer is on the Hessen network, refer to Section 5.7.1 for information and to customize the ID of each.

7. DATA ACQUISITION SYSTEM (DAS) AND APICOM

The T300/T300M Analyzer contains a flexible and powerful, Internal Data Acquisition System (DAS) that enables the analyzer to store concentration and calibration data as well as a host of diagnostic parameters. The DAS of the T300/T300M can store up to about one million data points, which can, depending on individual configurations, cover days, weeks or months of valuable measurements. The data is stored in non-volatile memory and is retained even when the instrument is powered off. Data is stored in plain text format for easy retrieval and use in common data analysis programs (such as spreadsheet-type programs).

The DAS is designed to be flexible. Users have full control over the type, length and reporting time of the data. The DAS permits users to access stored data through the instrument's front panel or its communication ports.

The principal use of the DAS is logging data for trend analysis and predictive diagnostics, which can assist in identifying possible problems before they affect the functionality of the analyzer. The secondary use is for data analysis, documentation and archival in electronic format.

To support the DAS functionality, Teledyne ML offers APICOM, a program that provides a visual interface for remote or local setup, configuration and data retrieval of the DAS. The APICOM manual, which is included with the program, contains a more detailed description of the DAS structure and configuration, which is briefly described in this manual.

The T300/T300M is configured with a basic DAS configuration, which is enabled by default. New data channels are also enabled by default at their creation, but all channels may be turned off for later or occasional use.

The green SAMPLE LED on the instrument front panel, which indicates the analyzer status, also indicates certain aspects of the DAS status:

Table 7-1: Front Panel LED Status Indicators for DAS

LED STATE	DAS STATUS
Off	System is in calibration mode. Data logging can be enabled or disabled for this mode. Calibration data are typically stored at the end of calibration periods, concentration data are typically not sampled, diagnostic data should be collected.
Blinking	Instrument is in hold-off mode, a short period after the system exits calibrations. DAS channels can be enabled or disabled for this period. Concentration data are typically disabled whereas diagnostic should be collected.
On	Sampling normally.

Note

DAS operation is suspended whenever its configuration is edited using the analyzer's front panel and therefore data may be lost. To prevent such data loss, it is recommended to use the APICOM graphical user interface for DAS changes.

Please be aware that all stored data will be erased if the analyzer's disk-on-module or CPU board is replaced or if the configuration data stored there is reset.

Note

The DAS can be disabled only by disabling or deleting its individual data channels.

7.1. DAS STRUCTURE

The DAS is designed around the feature of a “record”. A record is a single data point. The type of data recorded in a record is defined by two properties:

PARAMETER type that defines the kind of data to be stored (e.g. the average of gas concentrations measured with three digits of precision). See Section 7.1.6.

TRIGGER event that defines when the record is made (e.g. timer; every time a calibration is performed, etc.). See Section 7.1.5.

The specific **PARAMETERS** and **TRIGGER** events that describe an individual record are defined in a construct called a **DATA CHANNEL** (see Section 7.1.1). Each data channel is related one or more parameters with a specific trigger event and various other operational characteristics related to the records being made (e.g. the channels name, number or records to be made, time period between records, whether or not the record is exported via the analyzer's RS-232 port, etc.).

7.1.1. DAS DATA CHANNELS

The key to the flexibility of the DAS is its ability to store a large number of combinations of triggering events and data parameters in the form of data channels. Users may create up to 50 data channels and each channel can contain one or more parameters. For each channel, the following are selected:

- One triggering event is selected.
- Up to 50 data parameters, which can be the shared between channels.
- Several other properties that define the structure of the channel and allow the user to make operational decisions regarding the channel.

Table 7-2: DAS Data Channel Properties

PROPERTY	DESCRIPTION	DEFAULT SETTING	SETTING RANGE
NAME	The name of the data channel.	"NONE"	Up to 6 letters or digits ¹ .
TRIGGERING EVENT	The event that triggers the data channel to measure and store the datum.	ATIMER	Any available event (see Appendix A-5).
NUMBER AND LIST OF PARAMETERS	A User-configurable list of data types to be recorded in any given channel.	1 (COMEAS)	Any available parameter (see Appendix A-5).
REPORT PERIOD	The amount of time between each channel data point.	000:01:00 (1 hour)	000:00:01 to 366:23:59 (Days:Hours:Minutes)
NUMBER OF RECORDS	The number of reports that will be stored in the data file. Once the limit is exceeded, the oldest data is over-written.	100	1 to 1 million, limited by available storage space.
RS-232 REPORT	Enables the analyzer to automatically report channel values to the RS-232 ports.	OFF	OFF or ON
CHANNEL ENABLED	Enables or disables the channel. Allows a channel to be temporarily turned off without deleting it.	ON	OFF or ON
CAL HOLD OFF	Disables sampling of data parameters while instrument is in calibration mode ² .	OFF	OFF or ON
¹ More with APICOM, but only the first six are displayed on the front panel. ² When enabled records are not recorded until the DAS HOLD OFF period is passed after calibration mode. DAS HOLD OFF SET in the VAR S menu (see Section 7.1.11).			

7.1.2. DEFAULT DAS CHANNELS

A set of default Data Channels has been included in the analyzer's software for logging CO concentration and certain predictive diagnostic data. These default channels include but are not limited to:

- **CONC:** Samples CO concentration at one minute intervals and stores an average every hour with a time and date stamp. Readings during calibration and calibration hold off are not included in the data.
 - By default, the last 800 hourly averages are stored.
- **PNUMTC:** Collects sample flow and sample pressure data at five-minute intervals and stores an average once a day with a time and date stamp. This data is useful for monitoring the condition of the pump and critical flow orifice (sample flow) and the sample filter (clogging indicated by a drop in sample pressure) over time to predict when maintenance will be required.
 - The last 360 daily averages (about 1 year) are stored.

- **CALDAT:** Logs new slope and offset of CO measurements every time a zero or span calibration is performed and the result changes the value of the slope (triggering event: **SLPCHG**). The CO stability data to evaluate if the calibration value was stable are also stored.
 - This data channel will store data from the last 200 calibrations and can be used to document analyzer calibration and is useful in the detection of the in slope and offset (instrument response) when performing predictive diagnostics as part of a regular maintenance schedule.
 - The CALDAT channel collects data based on events (e.g. a calibration operation) rather than a timed interval and therefore does not represent any specific length of time. As with all data channels, a date and time stamp is recorded for every logged data point.

These default Data Channels can be used as they are, or they can be customized from the front panel to fit a specific application. They can also be deleted to make room for custom user-programmed Data Channels.

Appendix A-5 lists the firmware-specific DAS configuration in plain-text format. This text file can either be loaded into APICOM and then modified and uploaded to the instrument or can be copied and pasted into a terminal program to be sent to the analyzer.

IMPORTANT

IMPACT ON READINGS OR DATA

Sending a DAS configuration to the analyzer through its COM ports will replace the existing configuration and will delete all stored data. Back up any existing data and the DAS configuration before uploading new settings.

Triggering Events and Data Parameters/Functions for these default channels are:

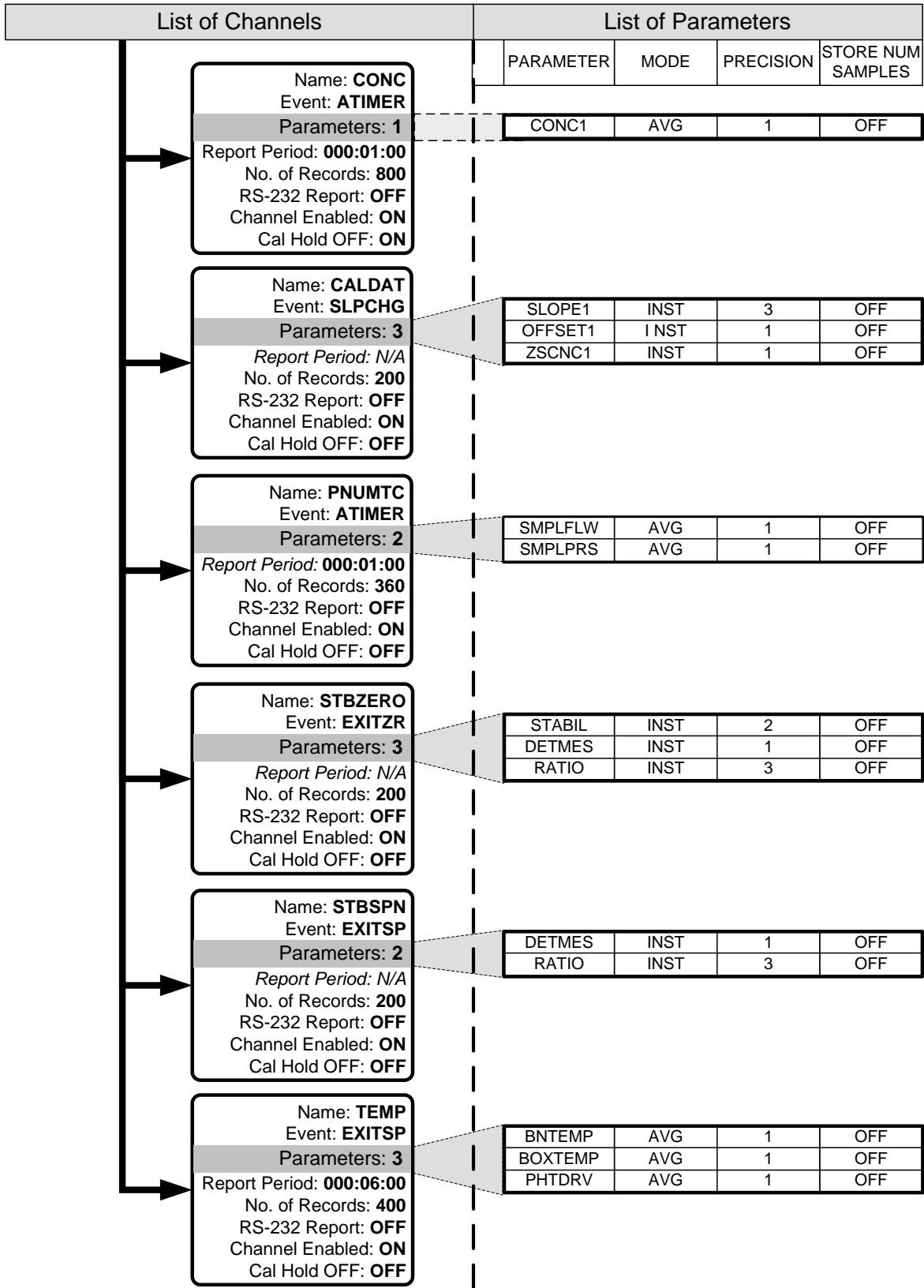
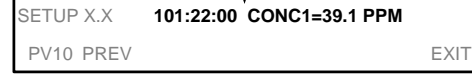
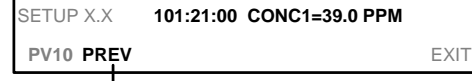
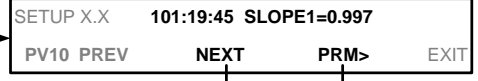
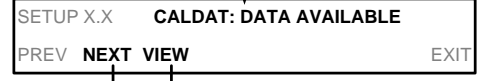
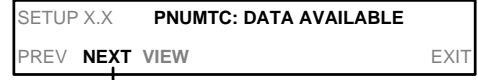
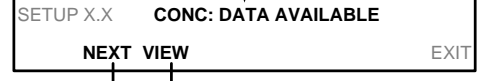
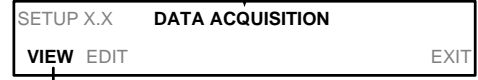
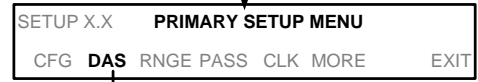
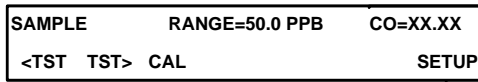


Figure 7-1: Default DAS Channel Setup

7.1.3. VIEWING DAS CHANNELS AND INDIVIDUAL RECORDS

DAS data and settings can be viewed on the front panel through the following button stroke sequence.

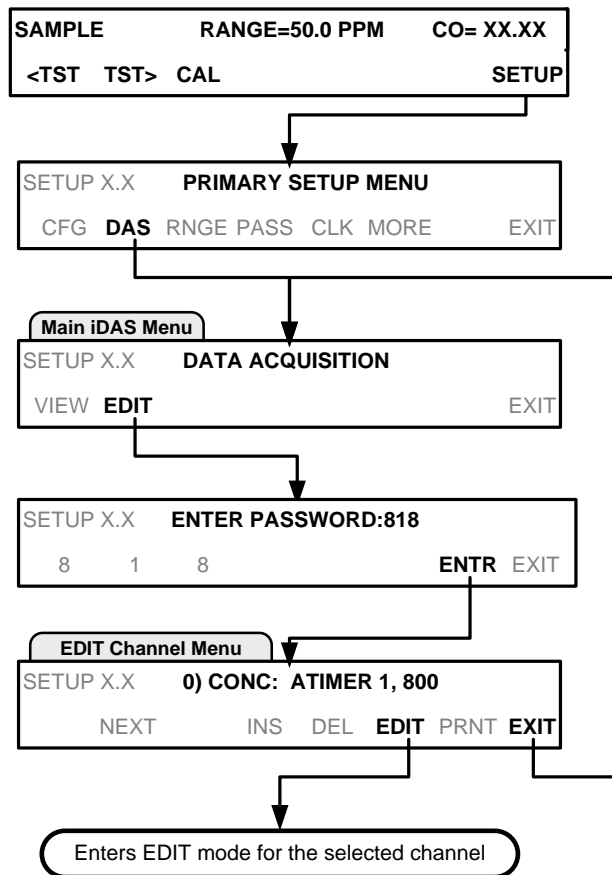


Continue pressing **NEXT** to view remaining DAS channels

DAS VIEW – Control Button Functions	
Button	FUNCTION
PV10	Moves the VIEW backward 10 record
PREV	Moves the VIEW backward 1 records or channel
NEXT	Moves the VIEW forward 1 record or channel
NX10	Moves the VIEW forward 10 records
<PRM	Selects the previous parameter on the list
PRM>	Selects the next parameter on the list
<i>Buttons only appear when applicable</i>	

7.1.4. EDITING DAS CHANNELS

DAS configuration is most conveniently done through the APICOM remote control program. The following list of button strokes shows how to edit the DAS using the front panel.



DAS EDIT – Control Button Functions	
Button	FUNCTION
PREV	Selects the previous data channel in the list
NEXT	Selects the next data channel in the list
INS	Inserts a new data channel into the list BEFORE the selected channel
DEL	Deletes the currently selected data channel
EDIT	Enters EDIT mode
PRINT	Exports the configuration of all data channels to the RS-232 interface
<i>Buttons only appear when applicable.</i>	

When editing the data channels, the top line of the display indicates some of the configuration parameters.

For example, the display line:

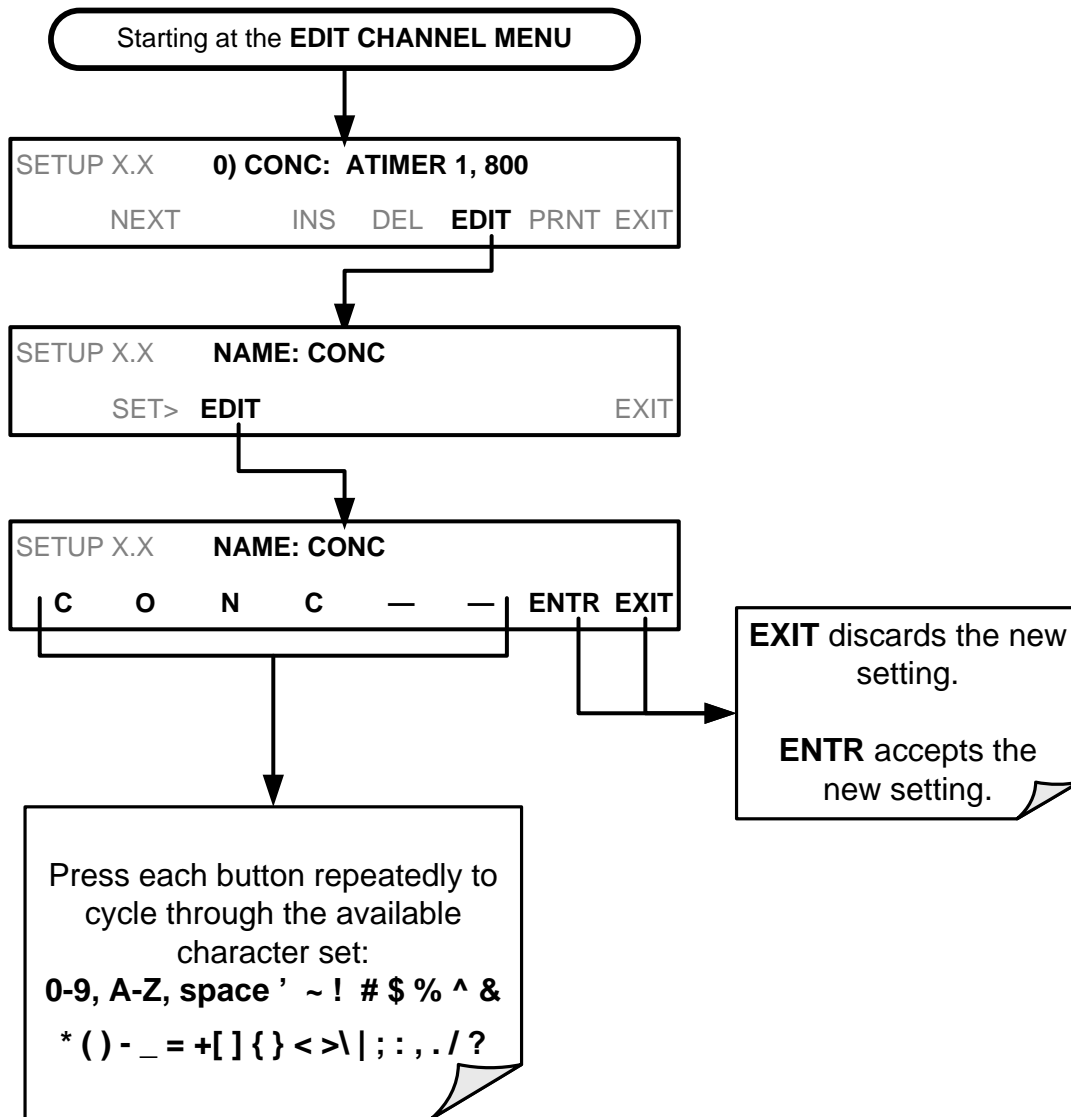
0) CONC: ATIMER, 1, 800

Translates to the following configuration:

Channel No.: 0
NAME: CONC
TRIGGER EVENT: ATIMER
PARAMETERS: One parameter is included in this channel
EVENT: This channel is set up to store 800 records.

7.1.4.1. EDITING DAS DATA CHANNEL NAMES

To edit the name of a DAS data channel, follow the instruction shown in Section 7.1.4.1, then press:

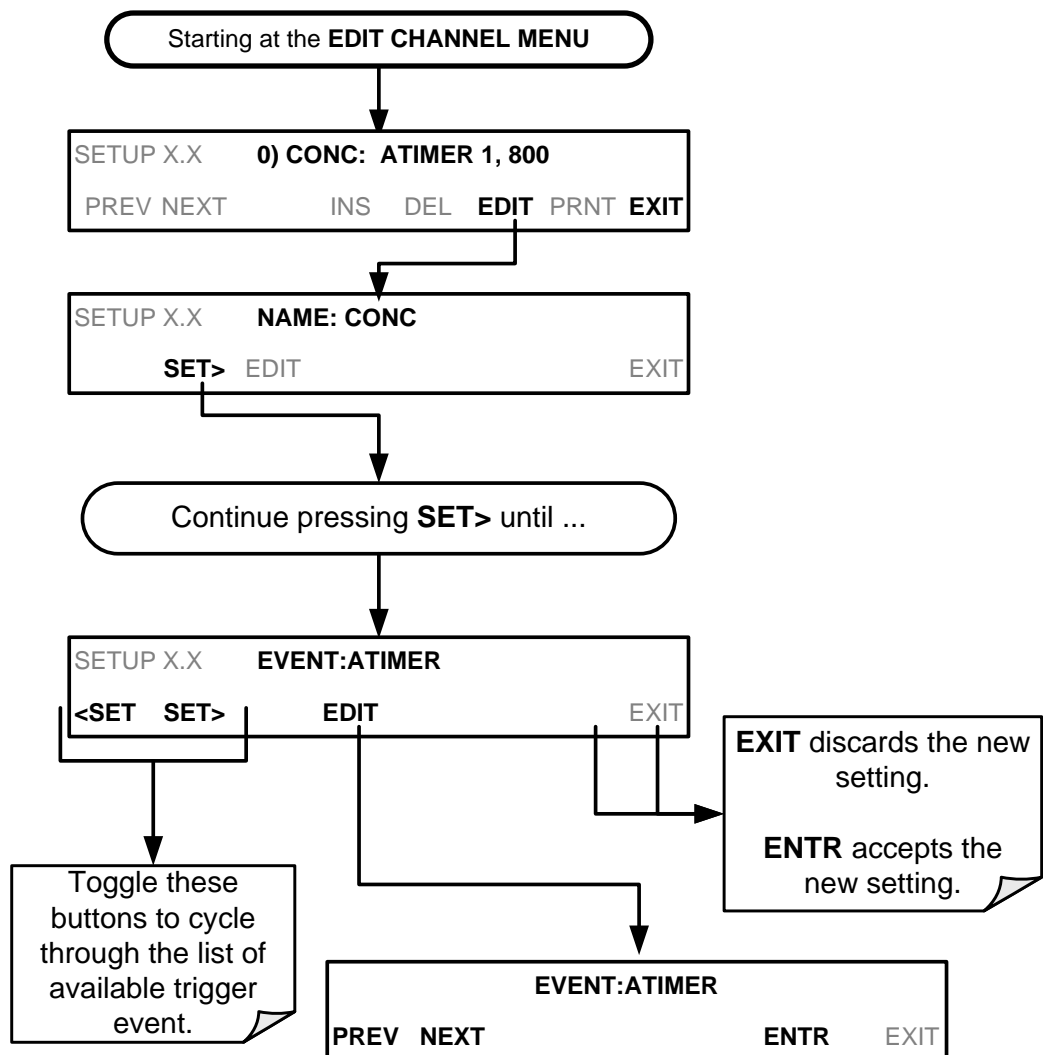


7.1.5. EDITING DAS TRIGGERING EVENTS

Triggering events define when and how the DAS records a measurement of any given data channel. Triggering events are firmware-specific and are listed in Appendix A-5. The most commonly used triggering events are:

- **ATIMER**: Sampling at regular intervals specified by an automatic timer. Most trending information is usually stored at such regular intervals, which can be instantaneous or averaged.
- **EXITZR**, **EXITSP**, and **SLPCHG** (exit zero, exit span, slope change): Sampling at the end of (irregularly occurring) calibrations or when the response slope changes. These triggering events create instantaneous data points, e.g., for the new slope and offset (concentration response) values at the end of a calibration. Zero and slope values are valuable to monitor response drift and to document when the instrument was calibrated.
- **WARNINGS**: Some data may be useful when stored if one of several warning messages appears such as **WTEMPW** (GFC Wheel temperature warning). This is helpful for troubleshooting by monitoring when a particular warning occurs.

To edit the list of data parameters associated with a specific data channel, follow the instruction shown in Section 7.1.4 then press:



7.1.6. EDITING DAS PARAMETERS

Data parameters are types of data that may be measured and stored by the DAS. For each analyzer model, the list of available data parameters is different, fully defined and not customizable. Appendix A-5 lists firmware specific data parameters for the T300/T300M. DAS parameters include things like CO concentration measurements, temperatures of the various heaters placed around the analyzer, pressures and flows of the pneumatic subsystem and other diagnostic measurements as well as calibration data such as stability, slope and offset.

Most data parameters have associated measurement units, such as mV, ppb, cm³/min, etc., although some parameters have no units (e.g. **SLOPE**). With the exception of concentration readings, none of these units of measure can be changed. To change the units of measure for concentration readings, see Section 5.4.4.

Note

DAS does not keep track of the unit (e.g., PPM, PPB, etc.) of each concentration value and DAS data files may contain concentrations in more than one type of unit if the unit was changed during data acquisition.

Each data parameter has user-configurable functions that define how the data are recorded (refer to Table 7-3).

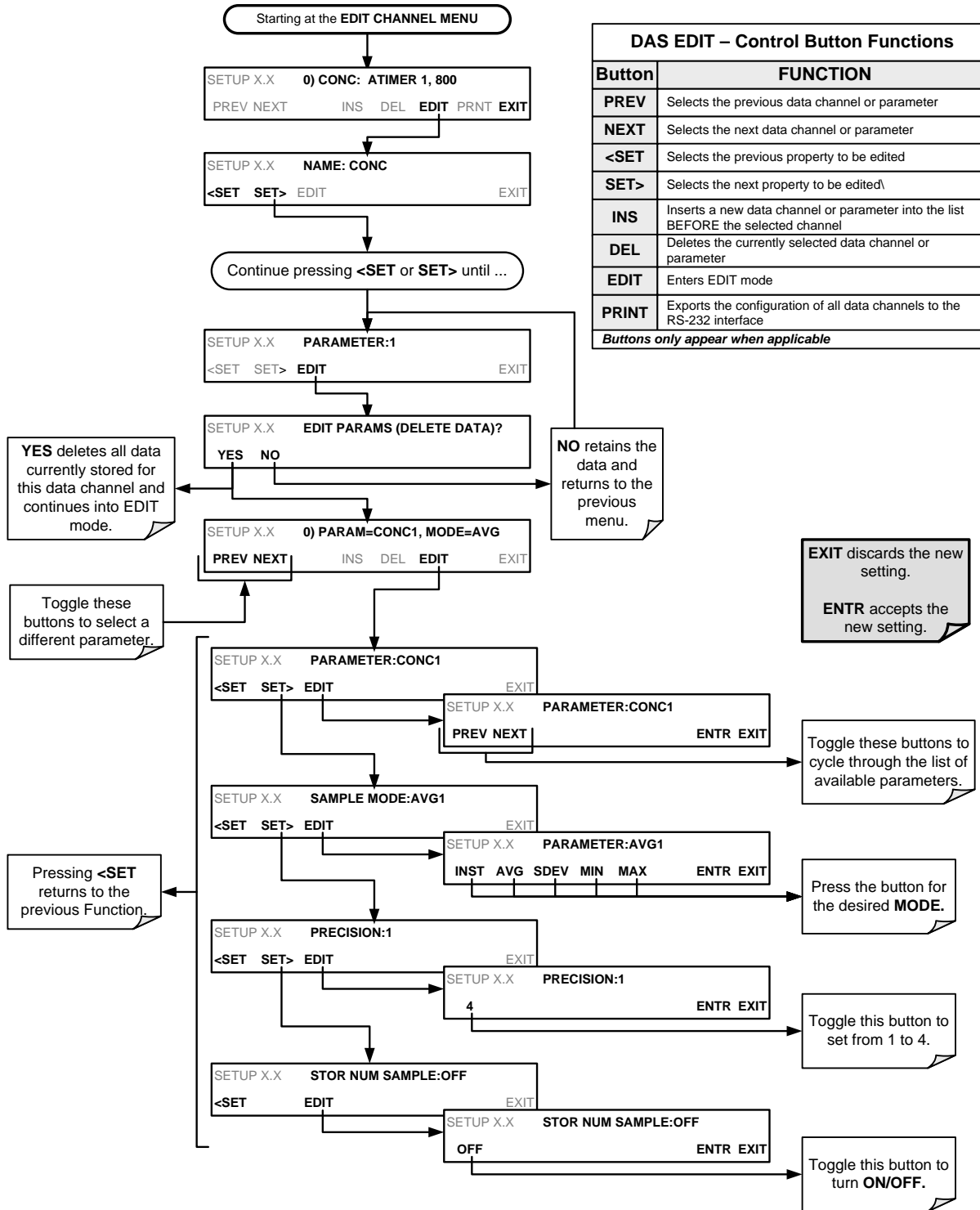
Table 7-3: DAS Data Parameter Functions

FUNCTION	EFFECT
PARAMETER	Instrument-specific parameter name.
SAMPLE MODE	INST: Records instantaneous reading. AVG: Records average reading during reporting interval. SDEV: Records the standard deviation of the data points recorded during the reporting interval. MIN: Records minimum (instantaneous) reading during reporting interval. MAX: Records maximum (instantaneous) reading during reporting interval.
PRECISION	0 to 4: Sets the number of digits to the right decimal point for each record. Example: Setting 4; “399.9865 PPB” Setting 0; “400 PPB”
STORE NUM SAMPLES	OFF: Stores only the average (default). ON: Stores the average and the number of samples in used to compute the value of the parameter. This property is only useful when the AVG sample mode is used. Note that the number of samples is the same for all parameters in one channel and needs to be specified only for one of the parameters in that channel.

Users can specify up to 50 parameters per data channel (the T300/T300M provides about 40 parameters). However, the number of parameters and channels is ultimately limited by available memory.

Data channels can be edited individually from the front panel without affecting other data channels. However, when editing a data channel, such as during adding, deleting or editing parameters, all data for that particular channel will be lost, because the DAS can store only data of one format (number of parameter columns, etc.) for any given channel. In addition, a DAS configuration can only be uploaded remotely as an entire set of channels. Hence, remote update of the DAS will always delete all current channels and stored data.

To modify, add or delete a parameter, follow the instruction shown in Section 7.1.4 then press:



Note

When the STORE NUM SAMPLES feature is turned on, the instrument will store how many measurements were used to compute the AVG, SDEV, MIN or MAX value but not the actual measurements themselves.

7.1.7. SAMPLE PERIOD AND REPORT PERIOD

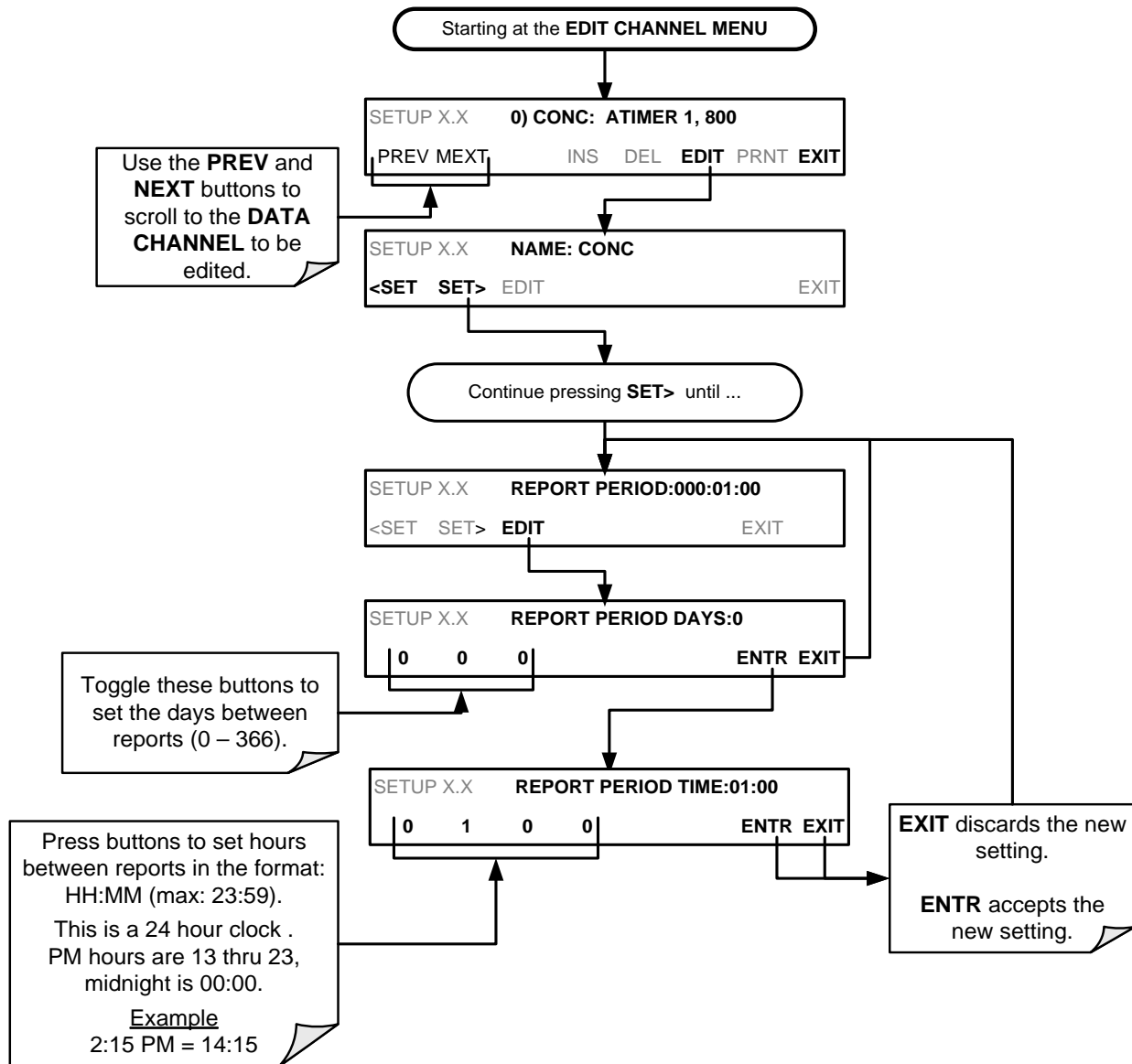
The DAS defines two principal time periods by which sample readings are taken and permanently recorded: Sample and Report periods.

- **SAMPLE PERIOD:** Determines how often DAS temporarily records a sample reading of the parameter in volatile memory. **SAMPLE PERIOD** is only used when the DAS parameter's sample mode is set for **AVG, SDEV, MIN** or **MAX**.

The **SAMPLE PERIOD** is set to one minute by default and generally cannot be accessed from the standard DAS front panel menu, but is available via the instrument's communication ports by using APICOM or the analyzer's standard serial data protocol.

- **REPORT PERIOD:** Sets how often the sample readings stored in volatile memory are processed, (e.g. average, minimum or maximum are calculated) and the results stored permanently in the instrument's Disk-on-Module as well as transmitted via the analyzer's communication ports. The Report Period may be set from the front panel. If the INST sample mode is selected the instrument stores and reports an instantaneous reading of the selected parameter at the end of the chosen report period.

To define the **REPORT PERIOD**, follow the instruction shown in Section 7.1.4 then press:



The **SAMPLE PERIOD** and **REPORT PERIOD** intervals are synchronized to the beginning and end of the appropriate interval of the instruments internal clock.

- If **SAMPLE PERIOD** were set for one minute the first reading would occur at the beginning of the next full minute according to the instrument's internal clock.
- If the **REPORT PERIOD** were set for of one hour, the first report activity would occur at the beginning of the next full hour according to the instrument's internal clock.

EXAMPLE:

Given the above settings, if the DAS were activated at 7:57:35 the first sample would occur at 7:58 and the first report would be calculated at 8:00 consisting of data points for 7:58, 7:59 and 8:00.

During the next hour (from 8:01 to 9:00), the instrument will take a sample reading every minute and include 60 sample readings.

Note

In **AVG, SDEV, MIN or MAX** sample modes (see Section 6.1.5.3), the settings for the **Sample Period** and the **Report Period** determine the number of data points used each time the parameter is calculated, stored and reported to the **COMM** ports.

The actual sample readings are not stored past the end of the chosen report period.

When the **STORE NUM SAMPLES** feature is turned on, the instrument will store the number of measurements used to compute the **AVG, SDEV, MIN or MAX Value**, but not the actual measurements themselves.

REPORT PERIODS IN PROGRESS WHEN INSTRUMENT IS POWERED OFF

If the instrument is powered off in the middle of a **REPORT PERIOD**, the samples accumulated so far during that period are lost. Once the instrument is turned back on, the DAS restarts taking samples and temporarily stores them in volatile memory as part of the **REPORT PERIOD** currently active at the time of restart. At the end of this **REPORT PERIOD PERIOD**, only the sample readings taken since the instrument was turned back on will be included in any **AVG, SDEV, MIN or MAX** calculation.

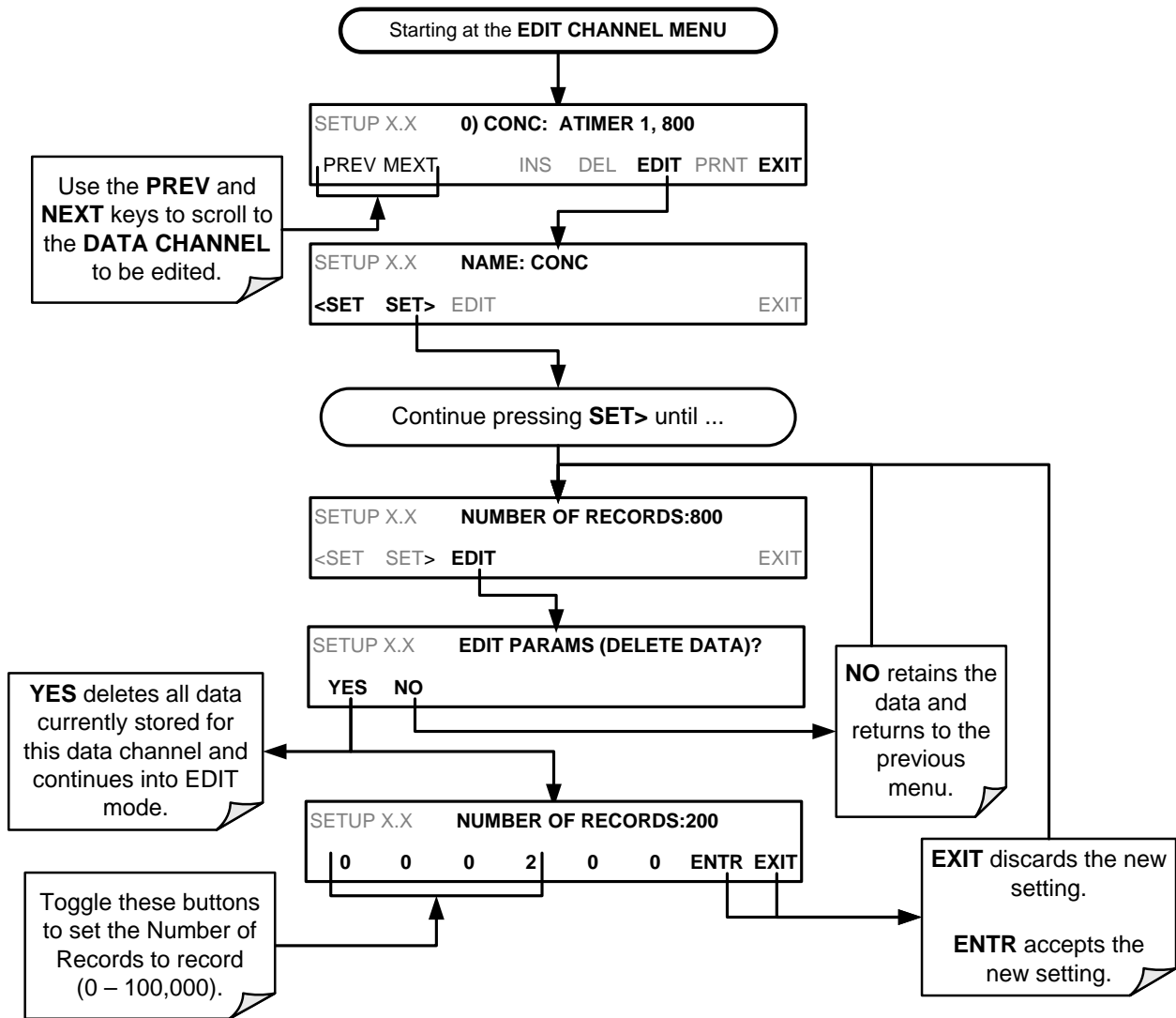
Also, the **STORE NUM SAMPLES** feature will report the number of sample readings taken since the instrument was restarted.

7.1.8. NUMBER OF RECORDS

The number of data records in the DAS is limited to about cumulative one million data points in all channels (one megabyte of space on the Disk-on-Module). However, the actual number of records is also limited by the total number of parameters and channels and other settings in the DAS configuration. Every additional data channel, parameter, number of samples setting, etc., will reduce the maximum amount of data points. In general, however, the maximum data capacity is divided amongst all channels (max: 20) and parameters (max: 50 per channel).

The DAS will check the amount of available data space and prevent the user from specifying too many records at any given point. If, for example, the DAS memory space can accommodate 375 more data records, the **ENTR** button will disappear when trying to specify more than that number of records. This check for memory space may also cause the upload of a DAS configuration with APICOM or a terminal program to fail, if the combined number of records would be exceeded. In this case, it is suggested to either try to determine what the maximum number of records available is using the front panel interface or use trial-and-error in designing the DAS script or calculate the number of records using the DAS or APICOM manuals.

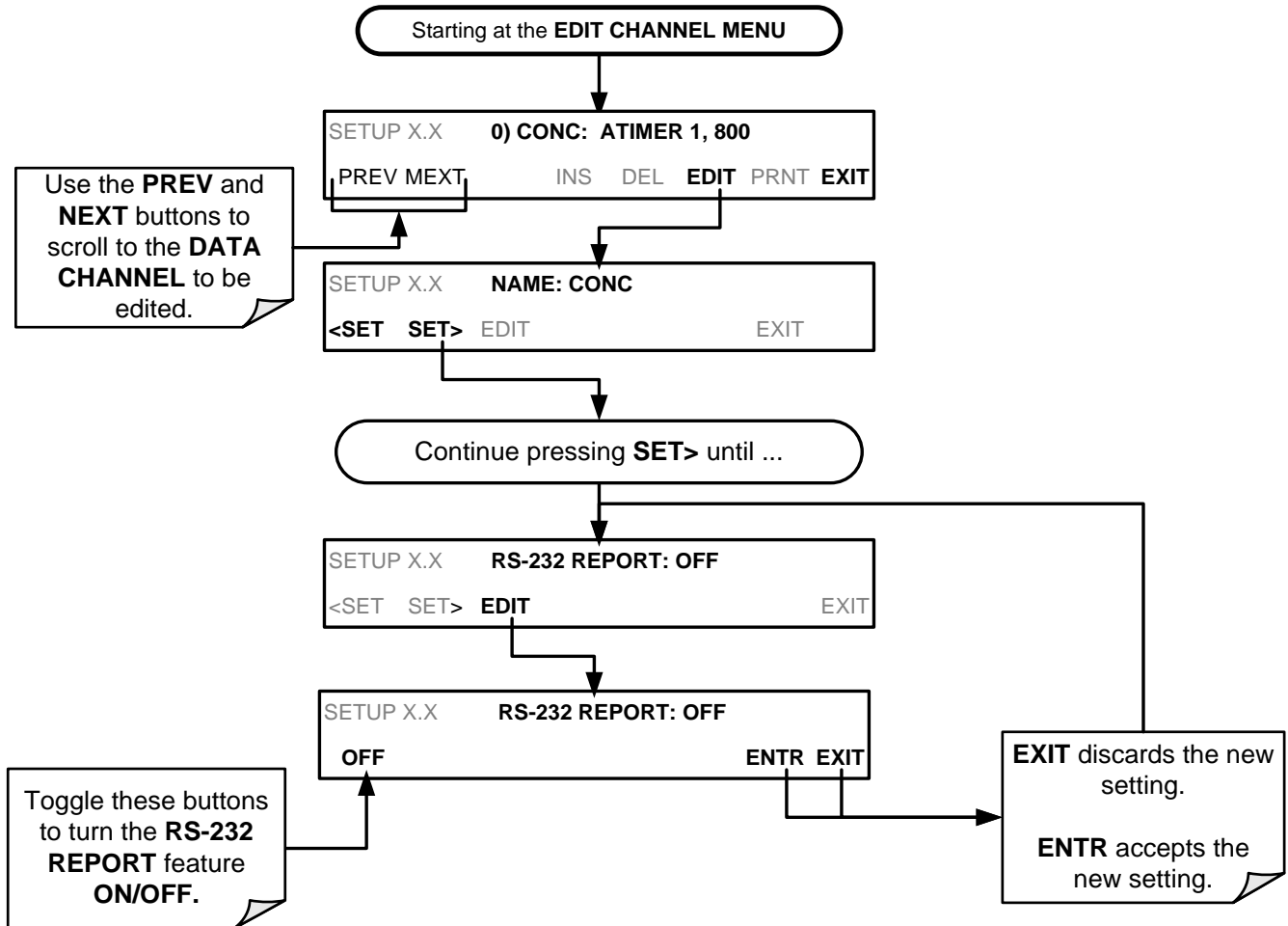
To set the **NUMBER OF RECORDS**, follow the instruction shown in Section 7.1.4 then press:



7.1.9. RS-232 REPORT FUNCTION

The DAS can automatically report data to the communications ports, where they can be captured with a terminal emulation program or simply viewed by the user using the APICOM software.

To enable automatic COMM port reporting, follow the instruction shown in Section 7.1.4 then press:



7.1.9.1. THE COMPACT REPORT FEATURE

When enabled, this option avoids unnecessary line breaks on all RS-232 reports. Instead of reporting each parameter in one channel on a separate line, up to five parameters are reported in one line.

The **COMPACT DATA REPORT** generally cannot be accessed from the standard DAS front panel menu, but is available via the instrument's communication ports by using APICOM or the analyzer's standard serial data protocol.

7.1.9.2. THE STARTING DATE FEATURE

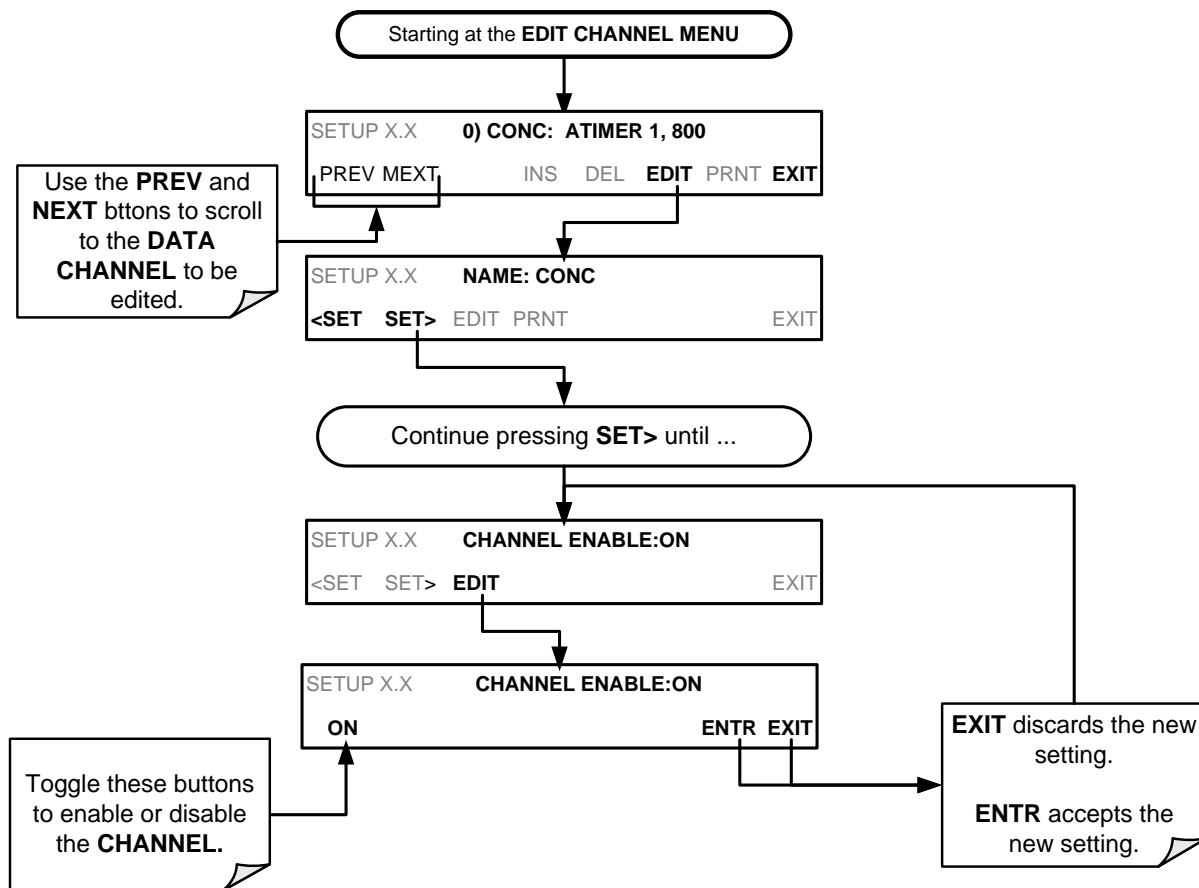
This option allows the user to specify a starting date for any given channel in case the user wants to start data acquisition only after a certain time and date. If the **STARTING DATE** is in the past (the default condition), the DAS ignores this setting and begins recording data as defined by the **REPORT PERIOD** setting.

The **STARTING DATE** generally cannot be accessed from the standard DAS front panel menu, but is available via the instrument's communication ports by using APICOM or the analyzer's standard serial data protocol.

7.1.10. DISABLING/ENABLING DATA CHANNELS

Data channels can be temporarily disabled, which can reduce the read/write wear on the Disk-on-Module.

To disable a data channel, follow the instruction shown in Section 7.1.4 then press:

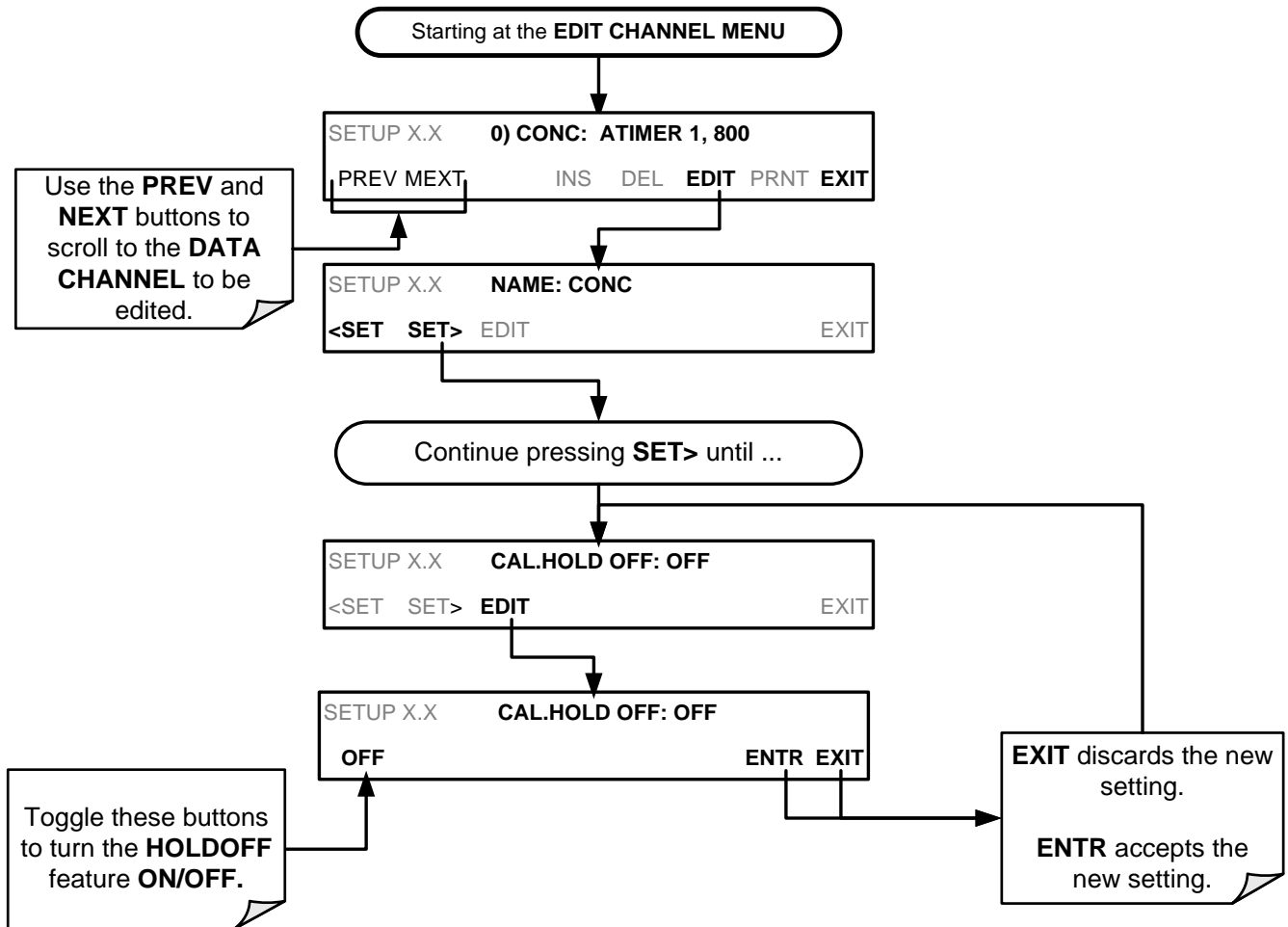


7.1.11. HOLDOFF FEATURE

The DAS **HOLDOFF** feature prevents data collection during calibration operations and at certain times when the quality of the analyzer’s CO measurements may not be certain (e.g. while the instrument is warming up). In this case, the length of time that the **HOLDOFF** feature is active is determined by the value of the internal variable (**VAR**S), **DAS_HOLD**OFF.

To set the length of the **DAS_HOLD**OFF period, go to the **SETUP**>**MORE**>**VAR**S menu (Section 5.8) and **EDIT** the “0) **DAS_HOLD**_OFF...” parameter.

To enable or disable the **HOLDOFF** feature for an individual channel, follow the instruction shown in Section 7.1.4 then press:



7.2. REMOTE DAS CONFIGURATION

The DAS can be configured and operated remotely via either the APICOM interface or a terminal emulation program. Once a DAS configuration is edited (which can be done offline and without interrupting DAS data collection), it is conveniently uploaded to the instrument and can be stored on a computer for later review, alteration or documentation and archival.

7.2.1. DAS CONFIGURATION VIA APICOM

Figure 7-2 shows examples of APICOM's main interface, which emulates the look and functionality of the instrument's actual front panel. Figure 7-3 shows an example of APICOM being used to remotely configure the DAS feature.

The APICOM user manual (Teledyne ML's P/N 039450000) is included in the APICOM installation file, which can be downloaded at <http://www.teledyne-ml.com/software/apicom/>.

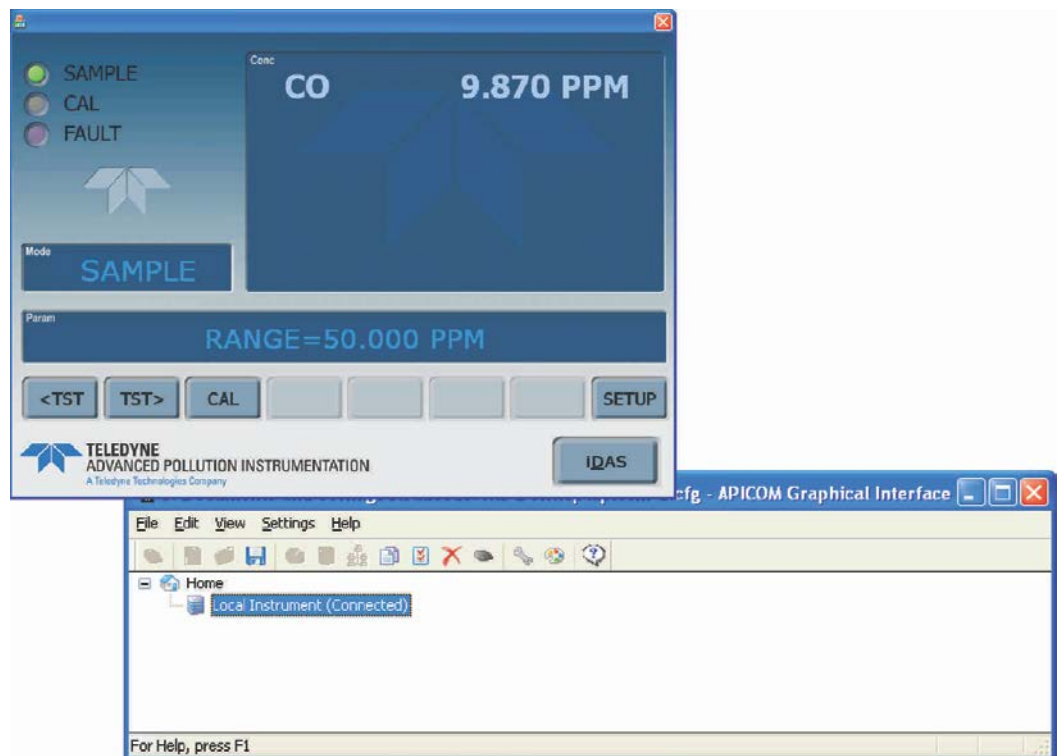


Figure 7-2: APICOM Remote Control Program Interface

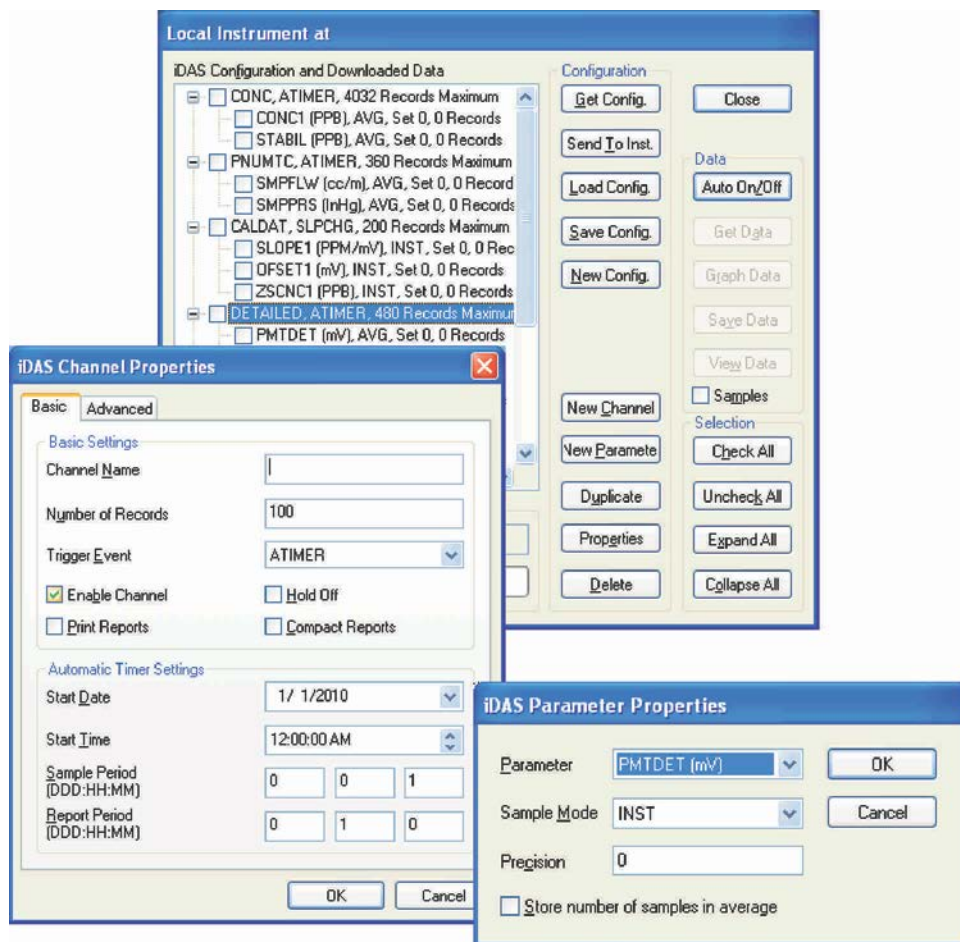


Figure 7-3: APICOM User Interface for Configuring the DAS

Once a DAS configuration is edited (which can be done offline and without interrupting DAS data collection), it is conveniently uploaded to the instrument and can be stored on a computer for later review, alteration or documentation and archival. Refer to the APICOM manual for details on these procedures. The APICOM user manual (Teledyne ML's P/N 039450000) is included in the APICOM installation file, which can be downloaded at <http://www.teledyne-ml.com/manuals/>.

7.2.2. DAS CONFIGURATION USING TERMINAL EMULATION PROGRAMS

Although Teledyne ML recommends the use of APICOM, the DAS can also be accessed and configured through a terminal emulation program such as HyperTerminal (see example in Figure 7-4).

To do this:

- All configuration commands must be created and edited off line (e.g. cut & pasted in from a text file or word processor) following a strict syntax (see below for example).
- The script is then uploaded via the instrument's RS-232 port(s).

```

SETUP PROPERTIES FOR ENGDAT:
NAME: ENGDAT
EVENT: ATIMER
REPORT PERIOD: 000:00:02
NUMBER OF RECORDS: 2000
RS-232 REPORT: ON
CHANNEL ENABLED: ON
CAL. HOLD OFF: OFF
PARAMETERS: 14
PARAMETER=RCTEMP, MODE=AVG, PRECISION=4, STORE_SAMPLES=OFF
PARAMETER=CNVTMP, MODE=AVG, PRECISION=4, STORE_SAMPLES=OFF
PARAMETER=PMTMP, MODE=AVG, PRECISION=4, STORE_SAMPLES=OFF
PARAMETER=BOXTMP, MODE=AVG, PRECISION=4, STORE_SAMPLES=OFF
PARAMETER=O3FLOW, MODE=AVG, PRECISION=4, STORE_SAMPLES=OFF
PARAMETER=SMPFLW, MODE=AVG, PRECISION=4, STORE_SAMPLES=OFF
PARAMETER=SMPPRS, MODE=AVG, PRECISION=4, STORE_SAMPLES=OFF
PARAMETER=RCPRES, MODE=AVG, PRECISION=4, STORE_SAMPLES=OFF
PARAMETER=AZERO, MODE=AVG, PRECISION=4, STORE_SAMPLES=OFF
PARAMETER=HVPS, MODE=AVG, PRECISION=4, STORE_SAMPLES=OFF
PARAMETER=PMTDET, MODE=AVG, PRECISION=4, STORE_SAMPLES=OFF
PARAMETER=RF4096, MODE=AVG, PRECISION=4, STORE_SAMPLES=OFF
PARAMETER=REFGND, MODE=AVG, PRECISION=4, STORE_SAMPLES=OFF

```

Figure 7-4: DAS Configuration Through a Terminal Emulation Program

Both of the above steps are best started by:

1. Downloading the default DAS configuration.
2. Getting familiar with its command structure and syntax conventions.
3. Altering a copy of the original file offline.
4. Uploading the new configuration into the analyzer.

IMPORTANT

IMPACT ON READINGS OR DATA

Whereas the editing, adding and deleting of DAS channels and parameters of one channel through the front-panel control buttons can be done without affecting the other channels, uploading a DAS configuration script to the analyzer through its communication ports will erase all data, parameters and channels by replacing them with the new DAS configuration. Backup of data and the original DAS configuration is advised before attempting any DAS changes.

Refer to Section 8.2.1 for details on remote access to and from the T300/T300M Analyzer via the instrument's COMM ports.

8. REMOTE OPERATION

This section provides information needed when using external digital and serial I/O for remote operation. It assumes that the electrical connections have been made as described in Section 3.3.1.

The T300 can be remotely configured, calibrated or queried for stored data through the rear panel serial ports, via either **Computer mode** (using a personal computer) or **Interactive mode** (using a terminal emulation program).

8.1. COMPUTER MODE

Computer mode is used when the analyzer is connected to a computer with a dedicated interface program such as APICOM.

8.1.1. REMOTE CONTROL VIA APICOM

APICOM is an easy-to-use, yet powerful interface program that allows a user to access and control any of Teledyne ML's main line of ambient and stack-gas instruments from a remote connection through direct cable, modem or Ethernet. Running APICOM, a user can:

- Establish a link from a remote location to the T300 through direct cable connection via RS-232 modem or Ethernet.
- View the instrument's front panel and remotely access all functions that could be accessed manually on the instrument.
- Remotely edit system parameters and set points.
- Download, view, graph and save data for predictive diagnostics or data analysis.
- Retrieve, view, edit, save and upload DAS configurations (Section 7.2.1).
- Check on system parameters for trouble-shooting and quality control.

APICOM is very helpful for initial setup, data analysis, maintenance, and troubleshooting. Refer to the APICOM manual available for download from <http://www.teledyne-ml.com/software/apicom/>.

8.2. INTERACTIVE MODE

Interactive mode is used with a terminal emulation programs or a “dumb” computer terminal.

8.2.1. REMOTE CONTROL VIA A TERMINAL EMULATION PROGRAM

Start a terminal emulation program such as HyperTerminal. All configuration commands must be created following a strict syntax or be pasted in from an existing text file, which was edited offline and then uploaded through a specific transfer procedure. The commands that are used to operate the analyzer in this mode are listed in Table 8-1 and in Appendix A.

8.2.1.1. HELP COMMANDS IN INTERACTIVE MODE

Table 8-1: Interactive Mode Software Commands

COMMAND	Function
Control-T	Switches the analyzer to terminal mode (echo, edit). If mode flags 1 & 2 are OFF, the interface can be used in interactive mode with a terminal emulation program.
Control-C	Switches the analyzer to computer mode (no echo, no edit).
CR(carriage return)	A carriage return is required after each command line is typed into the terminal/computer. The command will not be sent to the analyzer to be executed until this is done. On personal computers, this is achieved by pressing the ENTER button.
BS (backspace)	Erases one character to the left of the cursor location.
ESC(escape)	Erases the entire command line.
?[ID] CR	This command prints a complete list of available commands along with the definitions of their functionality to the display device of the terminal or computer being used. The ID number of the analyzer is only necessary if multiple analyzers are on the same communications line, such as the multi-drop setup.

8.2.1.2. COMMAND SYNTAX

Commands are not case-sensitive, and all arguments within one command (i.e. ID numbers, key words, data values, etc.) must be separated with a space character.

All Commands follow the syntax:

X [ID] COMMAND <CR>

Where

X is the command type (one letter) that defines the type of command. Allowed designators are listed in Appendix A-6.

[ID] is the machine identification number (Section 5.7.1). Example: the Command “? 700” followed by a carriage return would print the list of available commands for the revision of software currently installed in the instrument assigned ID Number 700.

COMMAND is the command designator: This string is the name of the command being issued (LIST, ABORT, NAME, EXIT, etc.). Some commands may have additional arguments that define how the command is to be executed. Press ? <CR> or refer to Appendix A-6 for a list of available command designators.

<CR> is a carriage return. All commands must be terminated by a carriage return (usually achieved by pressing the ENTER button on a computer).

Table 8-2: Teledyne ML's Serial I/O Command Types

COMMAND	COMMAND TYPE
C	Calibration
D	Diagnostic
L	Logon
T	Test measurement
V	Variable
W	Warning

8.2.1.3. DATA TYPES

Data types consist of integers, hexadecimal integers, floating-point numbers, Boolean expressions and text strings.

Integer data: Used to indicate integral quantities such as a number of records, a filter length, etc.

- They consist of an optional plus or minus sign, followed by one or more digits.
- For example, +1, -12, 123 are all valid integers.

Hexadecimal integer data: Used for the same purposes as integers.

- They consist of the two characters "0x," followed by one or more hexadecimal digits (0-9, A-F, a-f), which is the 'C' programming language convention.
- No plus or minus sign is permitted.
- For example, 0x1, 0x12, 0x1234abcd are all valid hexadecimal integers.

Floating-point number: Used to specify continuously variable values such as temperature set points, time intervals, warning limits, voltages, etc.

- They consist of an optional plus or minus sign, followed by zero or more digits, an optional decimal point and zero or more digits.
- At least one digit must appear before or after the decimal point.
- Scientific notation is not permitted.
- For example, +1.0, 1234.5678, -0.1, 1 are all valid floating-point numbers.

Boolean expressions: Used to specify the value of variables or I/O signals that may assume only two values.

- They are denoted by the key words **ON** and **OFF**.

Text strings: Used to represent data that cannot be easily represented by other data types, such as data channel names, which may contain letters and numbers.

- They consist of a quotation mark, followed by one or more printable characters, including spaces, letters, numbers, and symbols, and a final quotation mark.
- For example, "a", "1", "123abc", and "() [] <>" are all valid text strings.
- It is not possible to include a quotation mark character within a text string.

Some commands allow you to access variables, messages, and other items. When using these commands,

- You must type the entire name of the item.
- You must not abbreviate any names.

8.2.1.4. STATUS REPORTING

Reporting of status messages as an audit trail is one of the three principal uses for the RS-232 interface (the other two being the command line interface for controlling the instrument and the download of data in electronic format). You can effectively disable the reporting feature by setting the interface to quiet mode (see Section 6.2.1, Table 6-1).

Status reports include warning messages, calibration and diagnostic status messages. Refer to Appendix A-3 for a list of the possible messages, and this for information on controlling the instrument through the RS-232 interface.

8.2.1.5. GENERAL MESSAGE FORMAT

All messages from the instrument (including those in response to a command line request) are in the format:

X DDD:HH:MM [Id] MESSAGE<CRLF>

Where:

- | | |
|-----------|--|
| X | is a command type designator, a single character indicating the message type, as shown in the Table 8-2. |
| DDD:HH:MM | is the time stamp, the date and time when the message was issued. It consists of the Day-of-year (DDD) as a number from 1 to 366, the hour of the day (HH) as a number from 00 to 23, and the minute (MM) as a number from 00 to 59. |
| [ID] | is the analyzer ID, a number with 1 to 4 digits. |
| MESSAGE | is the message content that may contain warning messages, test measurements, variable values, etc. |
| <CRLF> | is a carriage return / line feed pair, which terminates the message. |

The uniform nature of the output messages makes it easy for a host computer to parse them into an easy structure. Keep in mind that the front panel display does not give any information on the time a message was issued, hence it is useful to log such messages for trouble-shooting and reference purposes. Terminal emulation programs such as HyperTerminal can capture these messages to text files for later review.

8.3. REMOTE ACCESS BY MODEM

The T300/T300M can be connected to a modem for remote access. This requires a cable between the analyzer's COMM port and the modem, typically a DB-9F to DB-25M cable (available from Teledyne ML with P/N WR0000024).

Once the cable has been connected, check to make sure:

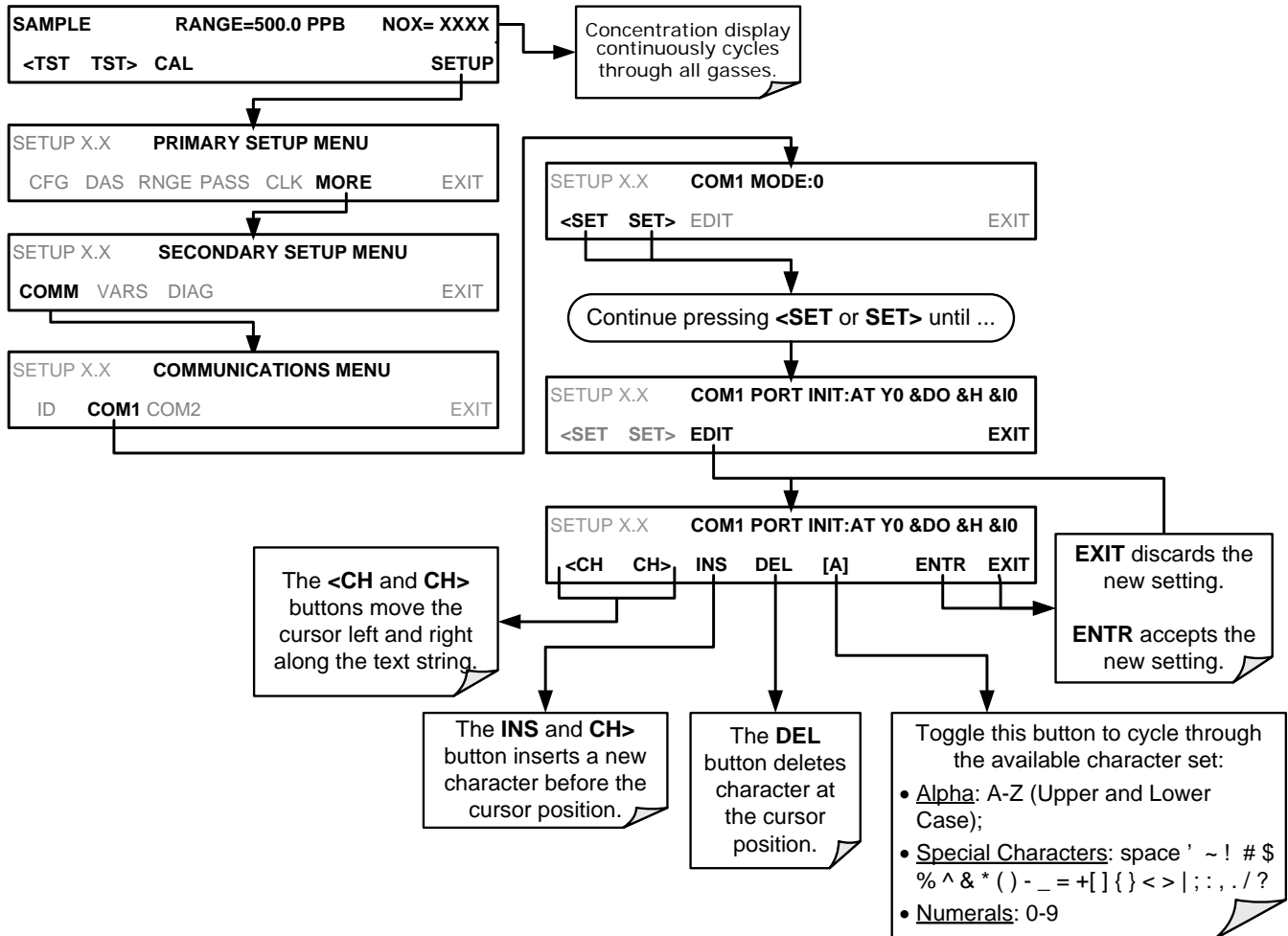
- The DTE-DCE is in the DCE position.
- The T300/T300M COMM port is set for a baud rate that is compatible with the modem,
- The modem is designed to operate with an 8-bit word length with one stop bit.
- The MODEM ENABLE communication mode is turned on (Mode 64, see Table 6-1).

Once this is completed, the appropriate setup command line for your modem can be entered into the analyzer. The default setting for this feature is:

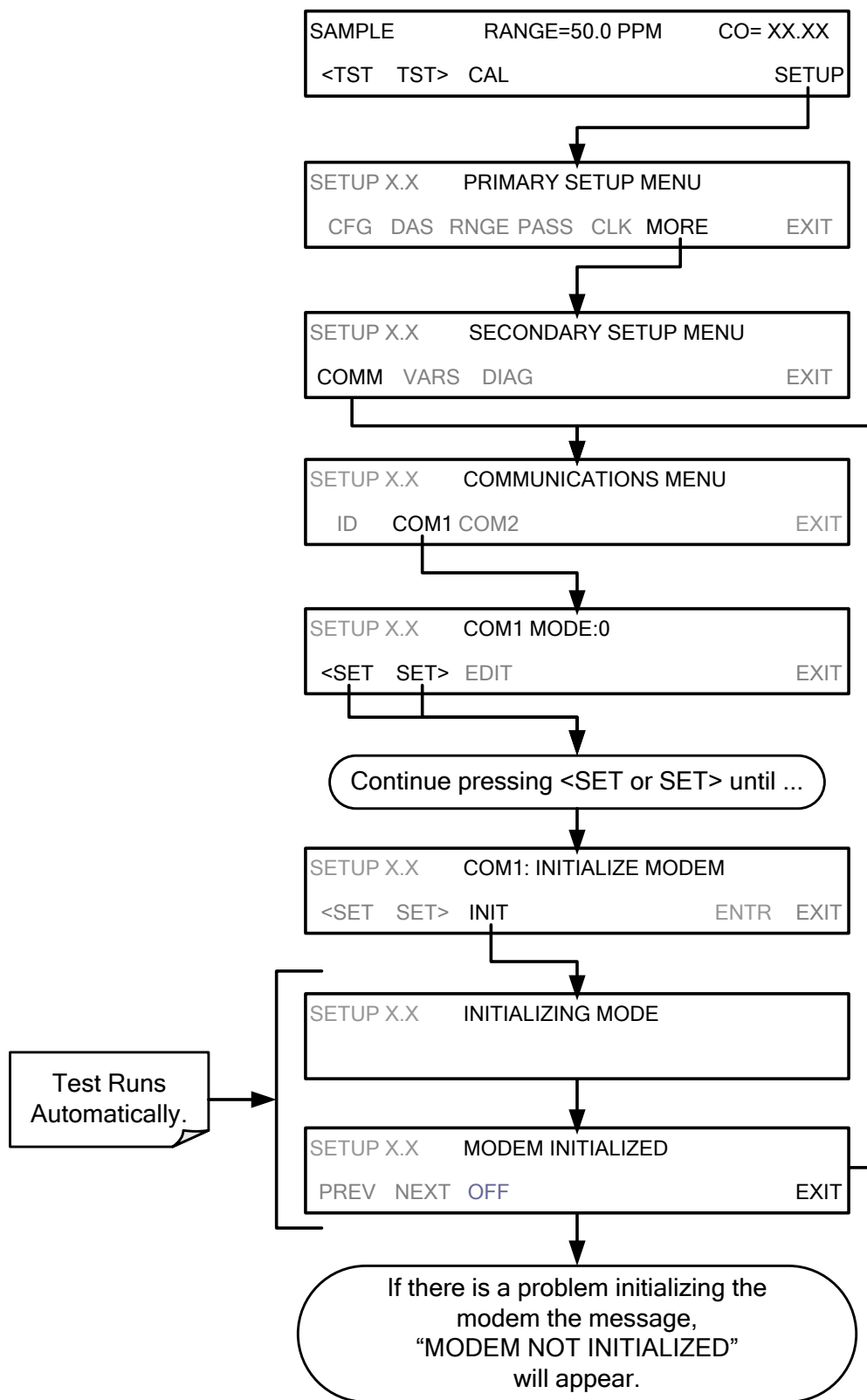
AT Y0 &D0 &H0 &I0 S0=2 &B0 &N6 &M0 E0 Q1 &W0

This string can be altered to match your modem’s initialization and can be up to 100 characters long.

To change this setting press:



To initialize the modem press:



8.4. PASSWORD SECURITY FOR SERIAL REMOTE COMMUNICATIONS

In order to provide security for remote access of the T300/T300M, a **LOGON** feature can be enabled to require a password before the instrument will accept commands. This is done by turning on the **SECURITY MODE** (Mode 4, Table 6-1). Once the **SECURITY MODE** is enabled, the following items apply.

- A password is required before the port will respond or pass on commands.
- If the port is inactive for one hour, automatic logoff will occur. Logoff can also be achieved with the LOGOFF command.
- Three unsuccessful attempts to log on with an incorrect password will cause subsequent logins to be disabled for 1 hour, even if the correct password is used.
- If not logged on, the only active command is the '?' request for the help screen.
- The following messages will be returned at logon:
 - LOGON SUCCESSFUL - Correct password given
 - LOGON FAILED - Password not given or incorrect
 - LOGOFF SUCCESSFUL - Connection terminated successfully

To log on to the T300/T300M Analyzer with **SECURITY MODE** feature enabled, type:

LOGON 940331

940331 is the default password. To change the default password, use the variable RS-232_PASS issued as follows:

V RS-232_PASS=NNNNNN

N is any numeral between 0 and 9.

This page intentionally left blank.

9. CALIBRATION PROCEDURES

This section describes the calibration procedures for the T300/T300M. All of the methods described in this section can be initiated and controlled through the COM ports.

IMPORTANT

IMPACT ON READINGS OR DATA

If you are using the T300/T300M for US-EPA controlled monitoring, refer to Section 10 for information on the EPA calibration protocol.

Note

Throughout this section are various diagrams showing pneumatic connections between the T300/T300M and various other pieces of equipment such as calibrators and zero air sources.

These diagrams are only intended to be schematic representations of these connections and do not reflect actual physical locations of equipment and fitting location or orientation.

Contact your regional EPA or other appropriate governing agency for more detailed recommendations.

9.1. CALIBRATION PREPARATIONS

The calibration procedures in this section assume that the range mode, analog range and units of measure have already been selected for the analyzer. If this has not been done, please do so before continuing (see Section 5.7 for instructions).

9.1.1. REQUIRED EQUIPMENT, SUPPLIES, AND EXPENDABLES

Calibration of the T300/T300M Analyzer requires specific equipment and supplies. These include, but are not limited to, the following:

- Zero-air source
- Span gas source
- Gas lines - All Gas lines should be PTFE (Teflon), FEP, glass, stainless steel or brass
- A recording device such as a strip-chart recorder and/or data logger (optional). For electronic documentation, the internal data acquisition system DAS can be used.
- Traceability Standards

9.1.1.1. ZERO AIR

Zero air or zero calibration gas is defined as a gas that is similar in chemical composition to the measured medium but without the gas to be measured by the analyzer.

For the T300/T300M zero air should contain less than 25 ppb of CO and other major interfering gases such as CO and Water Vapor. It should have a dew point of -5°C or less.

If your application is not a measurement in ambient air, the zero calibration gas should be matched to the composition of the gas being measured.

- Pure nitrogen (N₂) can be used as a zero gas for applications where CO is measured in nitrogen.
- If your analyzer is equipped with an external zero air scrubber option, it is capable of creating zero air from ambient air.

For analyzers without the zero air scrubber, a zero air generator such as the Teledyne ML's T701 can be used. Please visit the company website for more information.

9.1.1.2. SPAN GAS

Span Gas is a gas specifically mixed to match the chemical composition of the type of gas being measured at near full scale of the desired measurement range. It is recommended that the span gas used have a concentration equal to 80-90% of the full measurement range.

If Span Gas is sourced directly from a calibrated, pressurized tank, the gas mixture should be CO mixed with Zero Air or N₂ at the required ratio.

For oxygen measurements using the optional O₂ sensor, we recommend a reference gas of 21% O₂ in N₂.

- For quick checks, ambient air can be used at an assumed concentration of 20.8%.
- Generally, O₂ concentration in dry, ambient air varies by less than 1%.

9.1.1.3. CALIBRATION GAS STANDARDS AND TRACEABILITY

All equipment used to produce calibration gases should be verified against standards of the National Institute for Standards and Technology (NIST). To ensure NIST traceability, we recommend acquiring cylinders of gas that are certified to be traceable to NIST Standard Reference Materials (SRM). These are available from a variety of commercial sources.

Table 9-1: NIST-SRMs Available for Traceability of CO Calibration Gases

NIST-SRM	Type	Nominal Concentration
680b	CO in N ₂	500 ppm
1681b	CO in N ₂	1000 ppm
2613a	CO in Zero Air	20 ppm
2614a	CO in Zero Air	45 ppm
2659a1	O ₂ in N ₂	21% by weight
2626a	CO ₂ in N ₂	4% by weight
27452	CO ₂ in N ₂	16% by weight

¹ Used to calibrate optional O₂ sensor. ² Used to calibrate optional CO₂ sensor.

Note

It is generally a good idea to use 80% of the reporting range for that channel for the span point calibration.

For instance, if the reporting range of the instrument is set for 50.0 PPM, the proper span gas would be 40.0 PPM.

9.1.2. DATA RECORDING DEVICES

A strip chart recorder, data acquisition system or digital data acquisition system should be used to record data from the serial or analog outputs of the T300/T300M.

- If analog readings are used, the response of the recording system should be checked against a NIST traceable voltage source or meter.
- Data recording devices should be capable of bi-polar operation so that negative readings can be recorded.
- For electronic data recording, the T300/T300M provides an internal data acquisition system (DAS), which is described in detail in Section 7.

APICOM, a remote control program, is also provided as a convenient and powerful tool for data handling, download, storage, quick check and plotting (see Section 7.2.1).

9.2. MANUAL CALIBRATION

IMPORTANT

IMPACT ON READINGS OR DATA
ZERO/SPAN CALIBRATION CHECKS VS. ZERO/SPAN CALIBRATION
Pressing the ENTR button during the following procedure resets the stored values for OFFSET and SLOPE and alters the instrument's Calibration.
This should **ONLY BE DONE** during an actual calibration of the T300/T300M.
NEVER press the ENTR button if you are only checking calibration. If you wish to perform a calibration CHECK, do not press ENTR and refer to Section 9.2.2.

9.2.1. SETUP FOR BASIC CALIBRATION CHECKS AND CALIBRATION

STEP ONE: Connect the Sources of Zero Air and Span Gas as shown below.

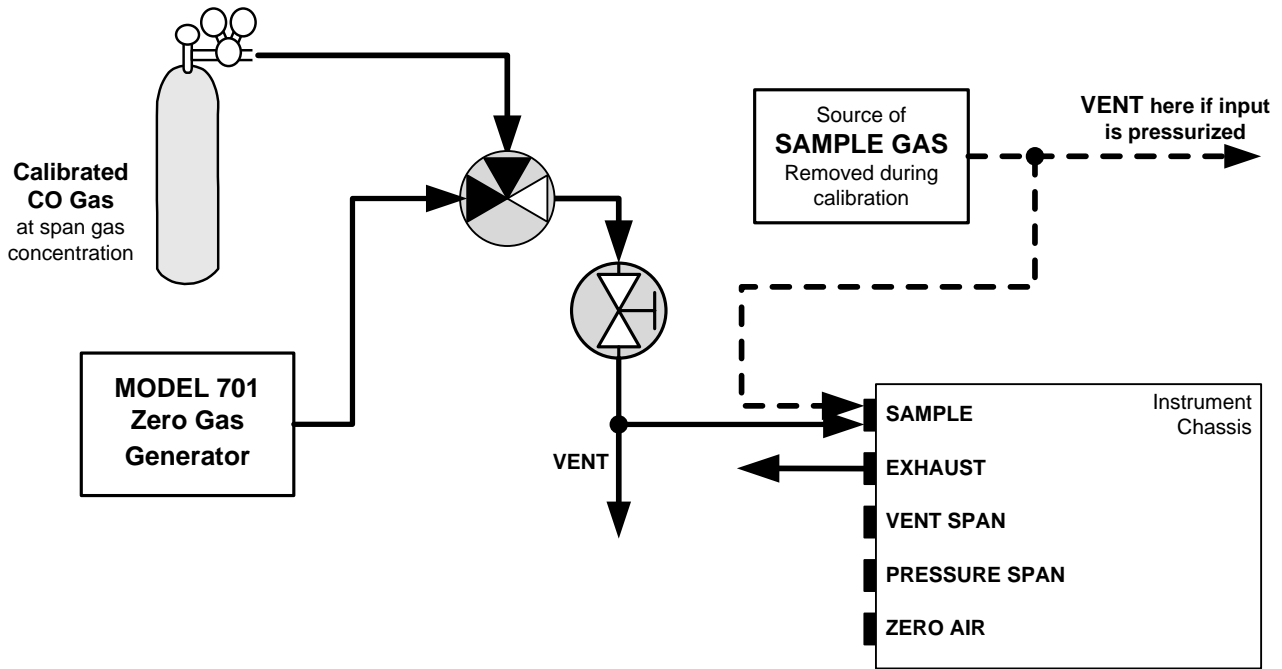


Figure 9-1: Pneumatic Connections – Basic Configuration – Using Bottled Span Gas

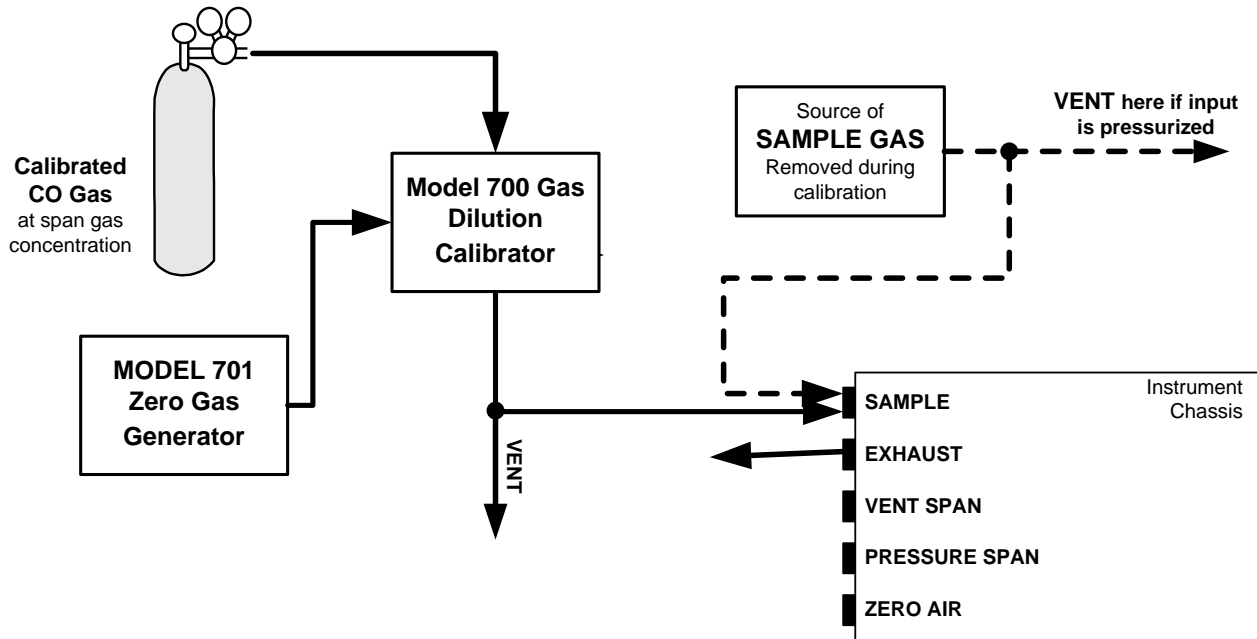
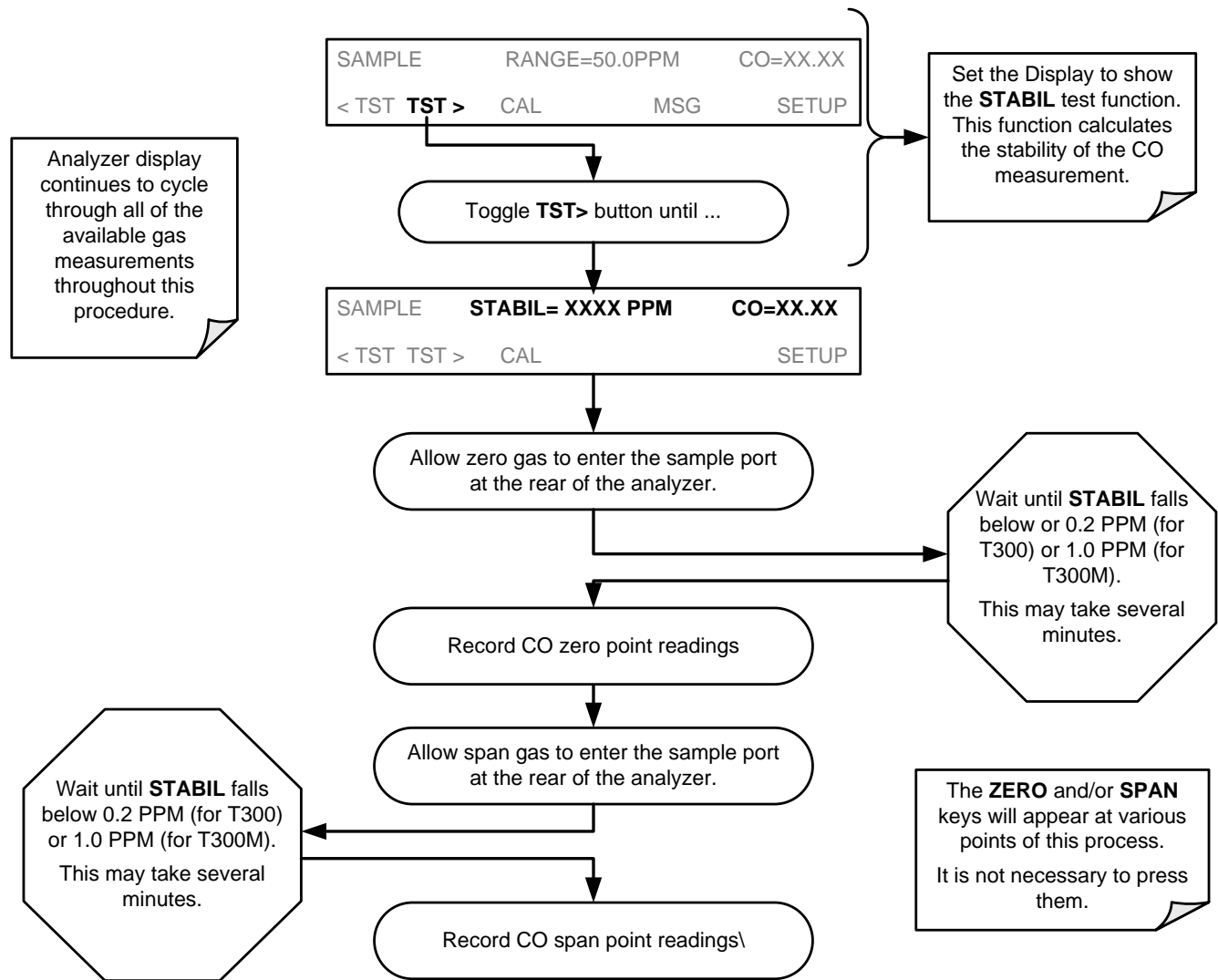


Figure 9-2: Pneumatic Connections – Basic Configuration – Using Gas Dilution Calibrator

9.2.2. PERFORMING A BASIC MANUAL CALIBRATION CHECK



9.2.3. PERFORMING A BASIC MANUAL CALIBRATION

The following section describes the basic method for manually calibrating the T300/T300M.

If the analyzer's reporting range is set for the **AUTO** range mode, a step will appear for selecting which range is to be calibrated (**LOW** or **HIGH**). Each of these two ranges **MUST** be calibrated separately.

IMPORTANT

IMPACT ON READINGS OR DATA

If the **ZERO** or **SPAN** buttons are not displayed during zero or span calibration, the measured concentration value during this time is out of the range allowed for a reliable calibration. Refer to Section 11 for troubleshooting tips.

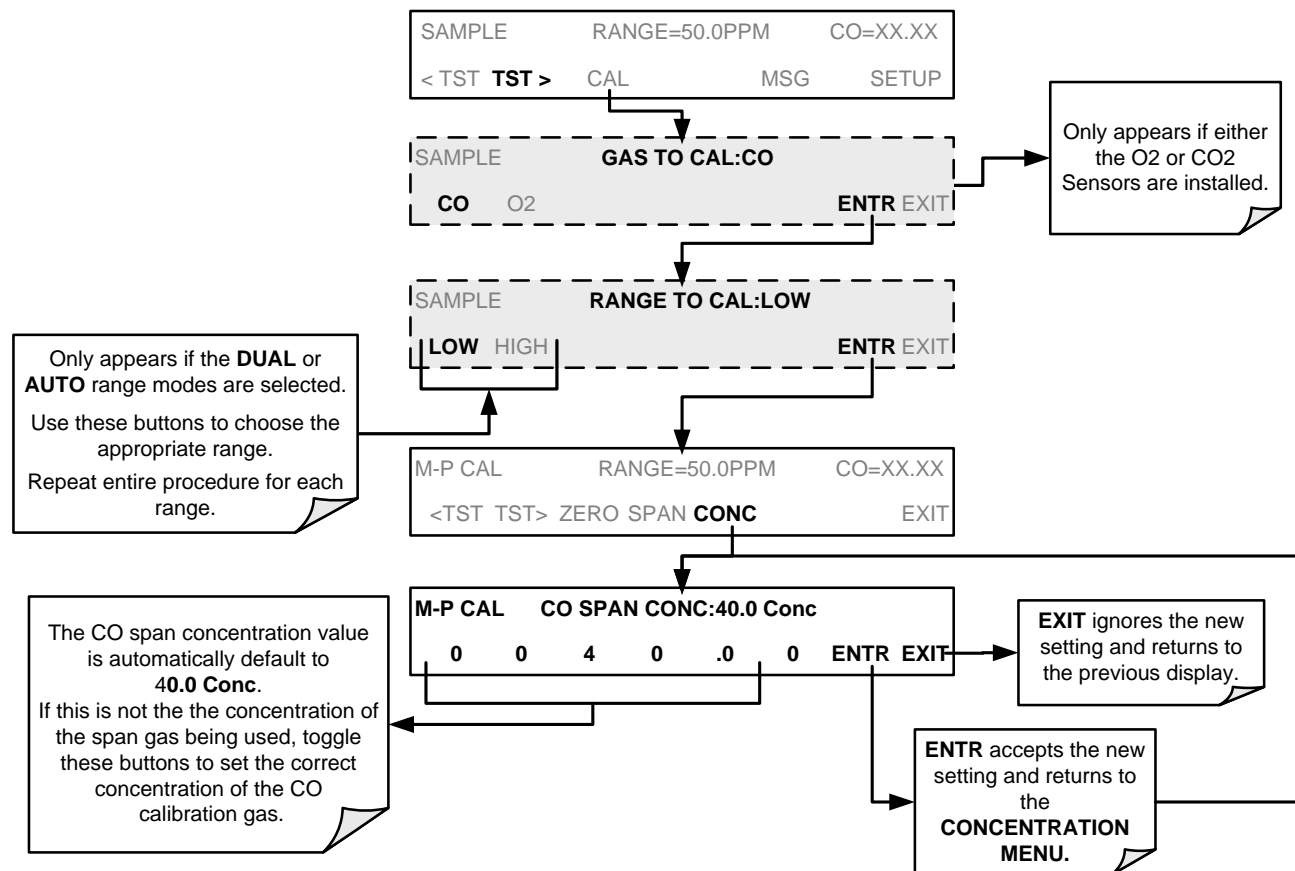
9.2.3.1. SETTING THE EXPECTED SPAN GAS CONCENTRATION

Note

When setting expected concentration values, consider impurities in your span gas.

The expected CO span gas concentration should be 80% of the reporting range of the instrument (see Section 5.4.1).

The default factory setting is 40 ppm. To set the span gas concentration, press:



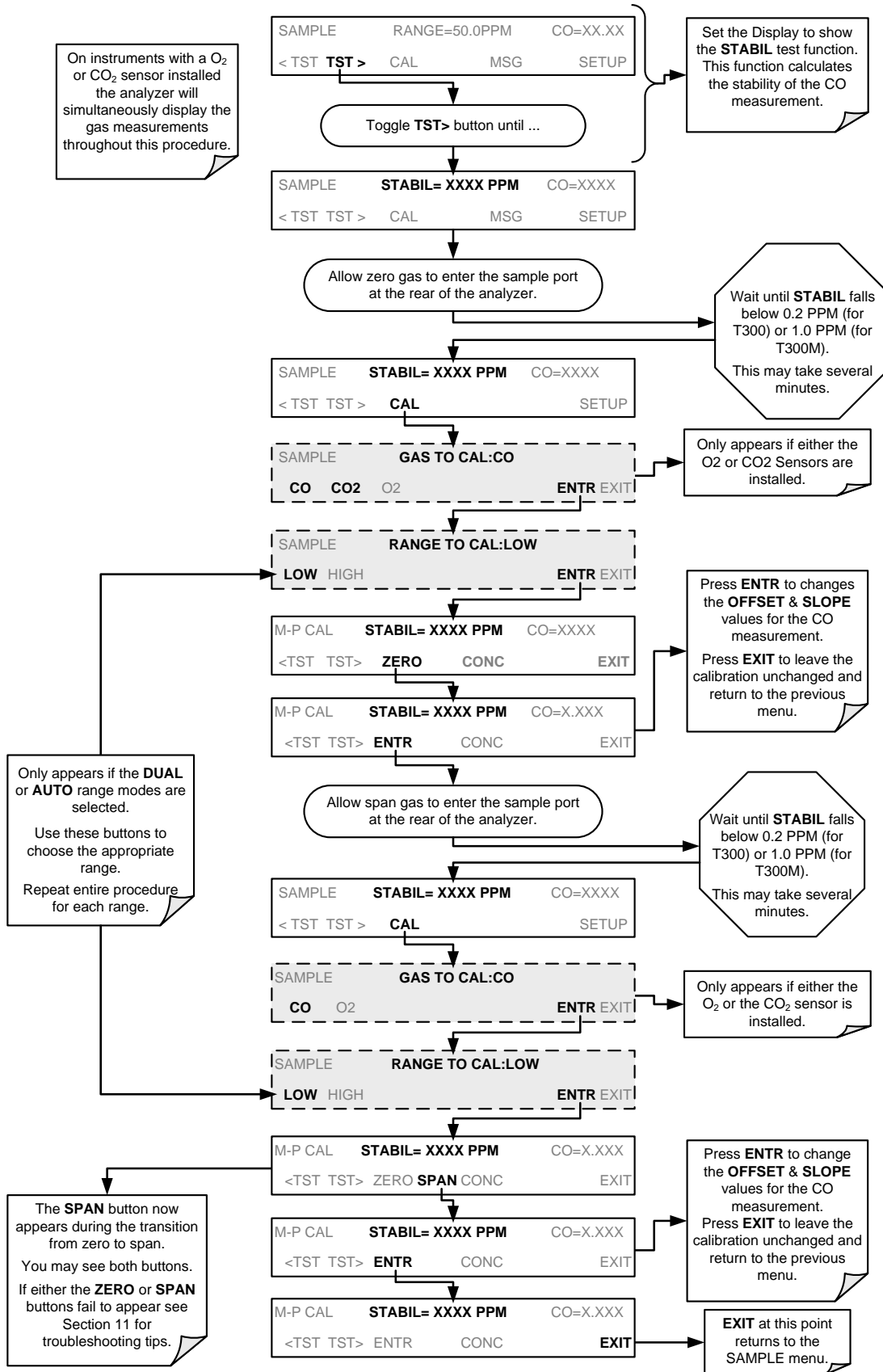
IMPORTANT

IMPACT ON READINGS OR DATA

For this Initial Calibration it is important to independently verify the **PRECISE CO Concentration Value of the SPAN gas.**

If the source of the Span Gas is from a **Calibrated Bottle**, use the exact concentration value printed on the bottle.

9.2.3.2. ZERO/SPAN POINT CALIBRATION PROCEDURE



9.3. MANUAL CALIBRATION WITH ZERO/SPAN VALVES

There are a variety of valve options available on the T300/T300M for handling calibration gases (see Table 1-1 for descriptions of each).

Generally performing calibration checks and zero/span point calibrations on analyzers with these options installed is similar to the methods discussed in the previous sections of this section. The primary differences are:

- On instruments with Z/S valve options, zero air and span gas is supplied to the analyzer through other gas inlets besides the sample gas inlet.
- The zero and span calibration operations are initiated directly and independently with dedicated buttons (**CALZ & CALS**).

9.3.1. SETUP FOR CALIBRATION USING VALVE OPTIONS

Each of the various calibration valve options requires a different pneumatic setup that is dependent on the exact nature and number of valves present.

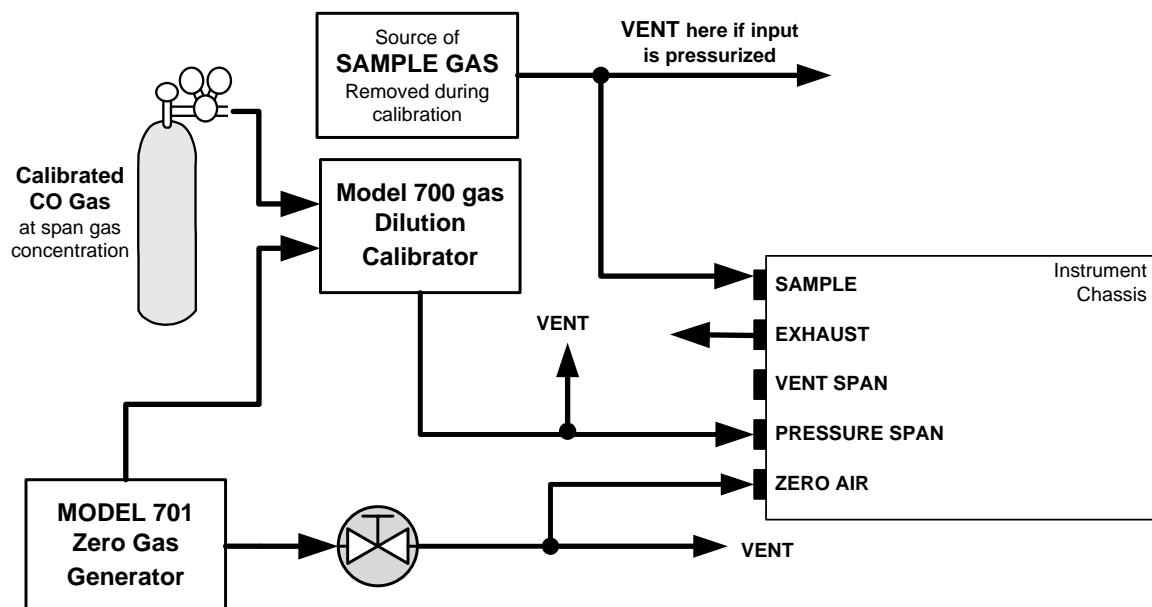


Figure 9-3: Pneumatic Connections – Option 50A: Ambient Zero/Ambient Span Calibration Valves

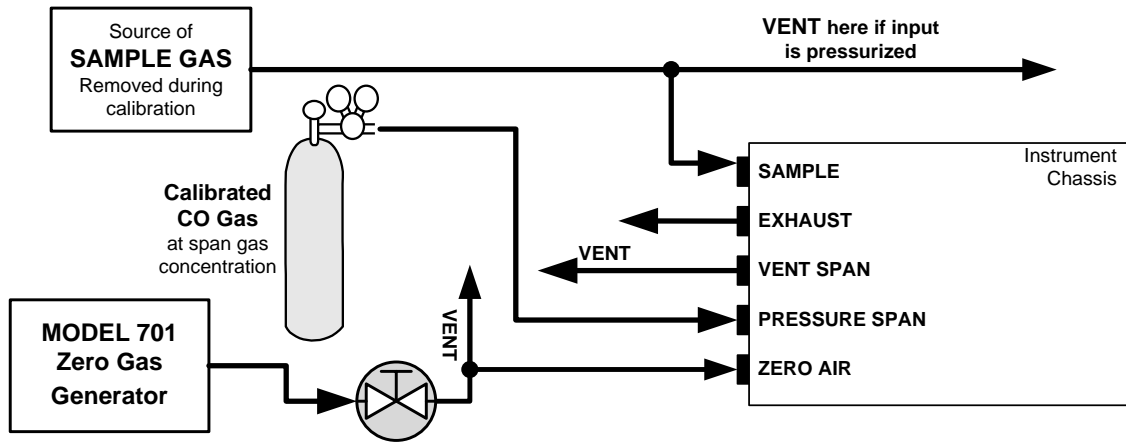


Figure 9-4: Pneumatic Connections – Option 50B: Ambient Zero/Pressurized Span Calibration Valves

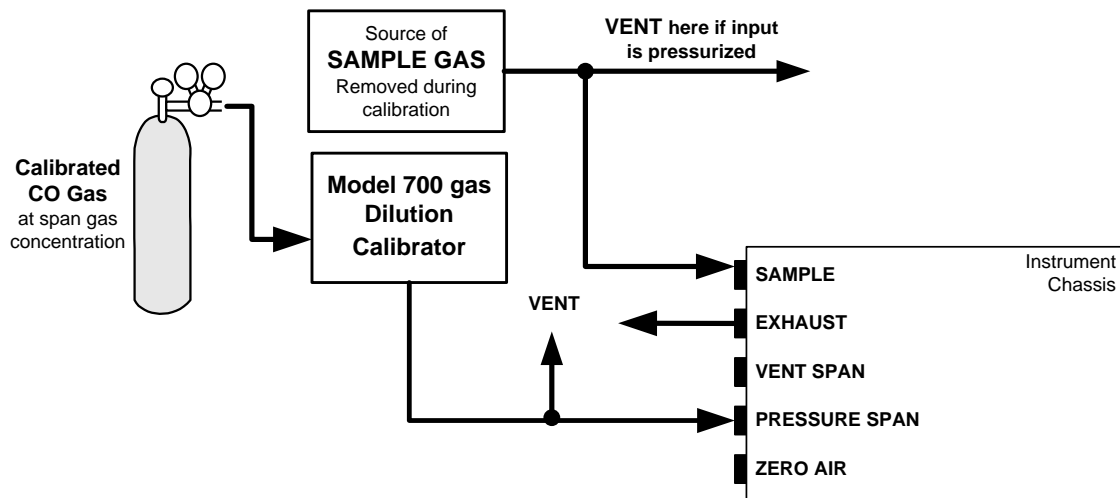


Figure 9-5: Pneumatic Connections – Option 50H: Zero/Span Calibration Valves

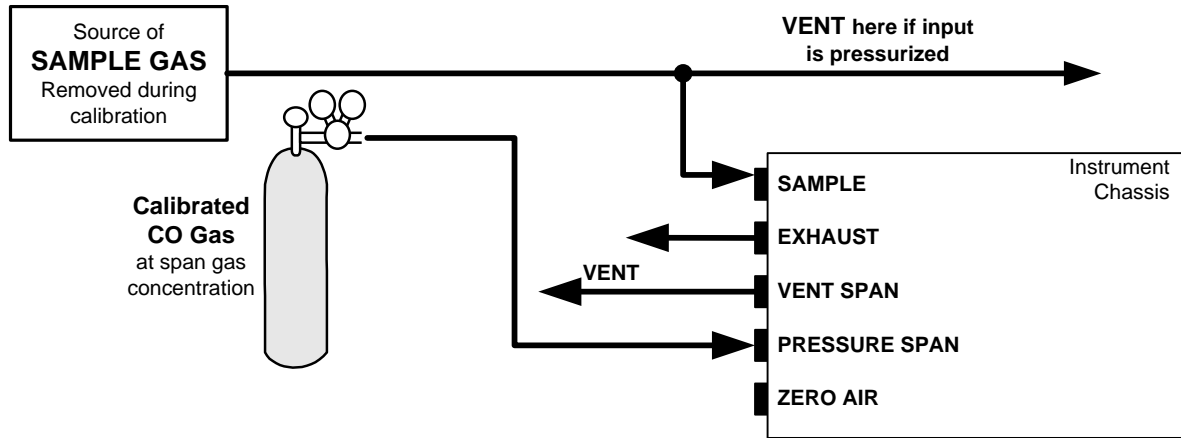
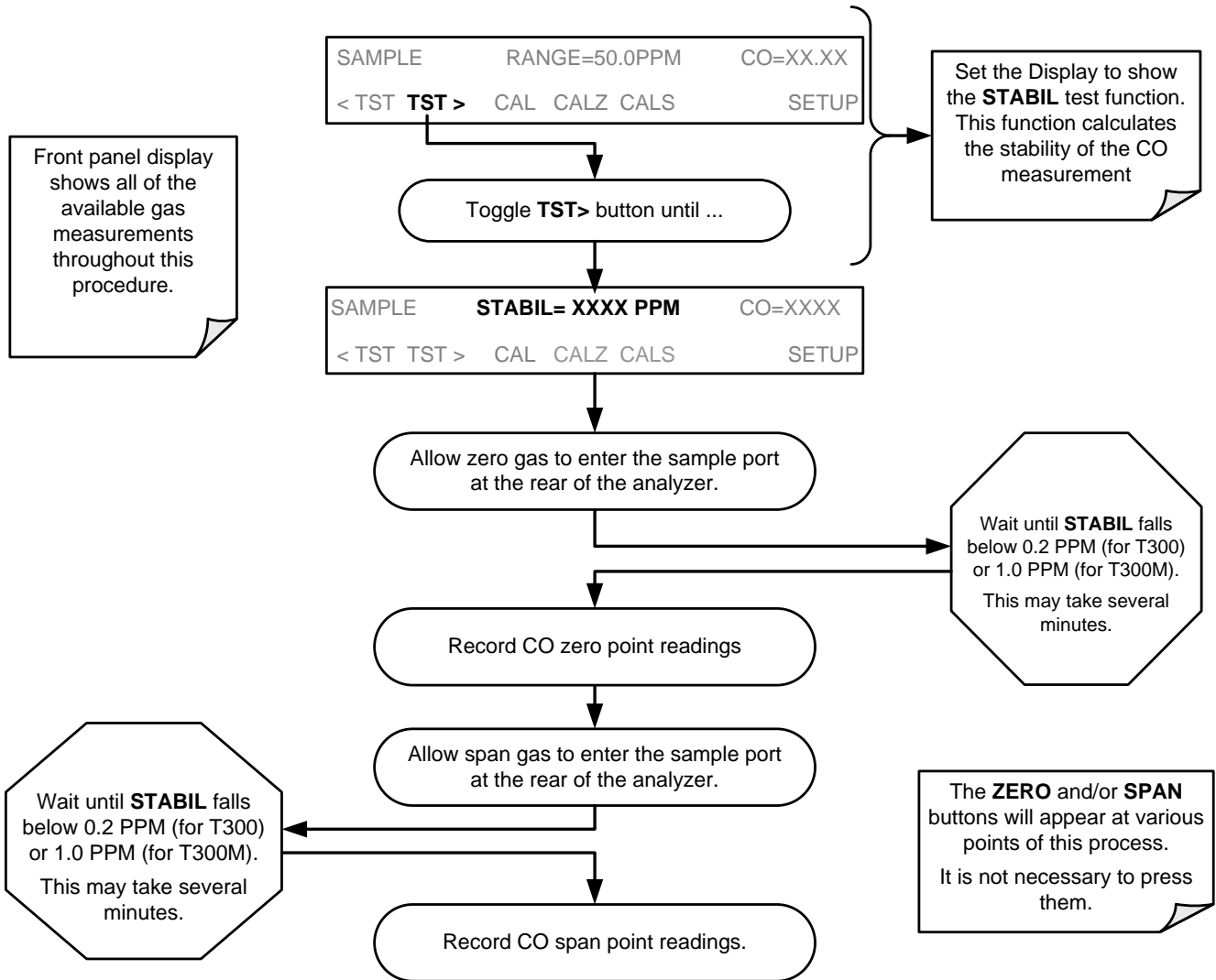


Figure 9-6: Pneumatic Connections – Option 50E: Zero/Span Calibration Valves

9.3.2. MANUAL CALIBRATION CHECKS WITH VALVE OPTIONS INSTALLED



9.3.3. MANUAL CALIBRATION USING VALVE OPTIONS

The following section describes the basic method for manually calibrating the T300/T300M Analyzer.

If the analyzer's reporting range is set for the **DUAL** or **AUTO** range modes, a step will appear for selecting which range is to be calibrated (**LOW** or **HIGH**).

IMPORTANT**IMPACT ON READINGS OR DATA**

Each of these two ranges **MUST** be calibrated separately.

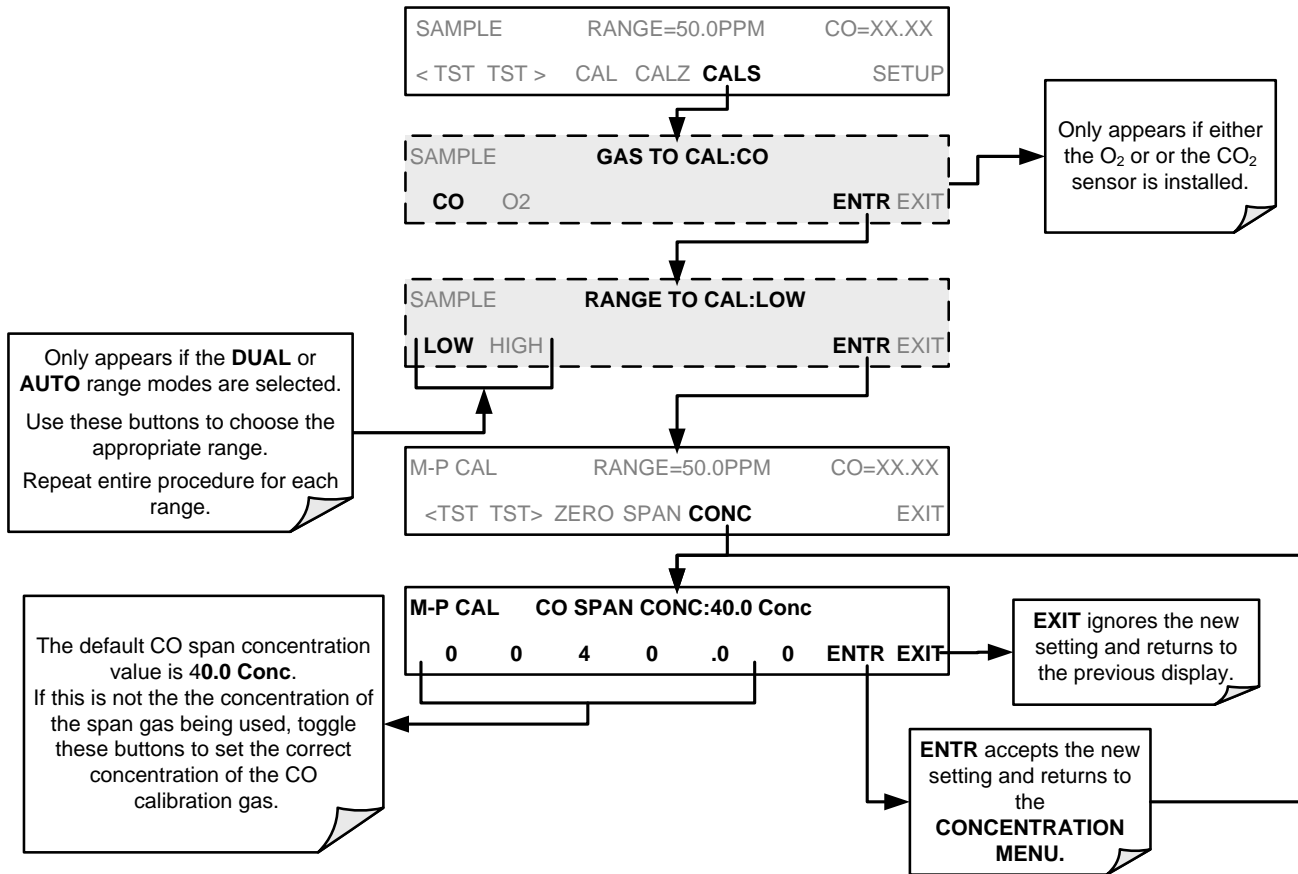
9.3.3.1. SETTING THE EXPECTED SPAN GAS CONCENTRATION

Note

When setting expected concentration values, consider impurities in your span gas.

The expected CO span gas concentration should be 80% of the reporting range of the instrument (see Section 5.4.1). The default factory setting is 40 ppm.

To set the span gas concentration, press:



IMPORTANT

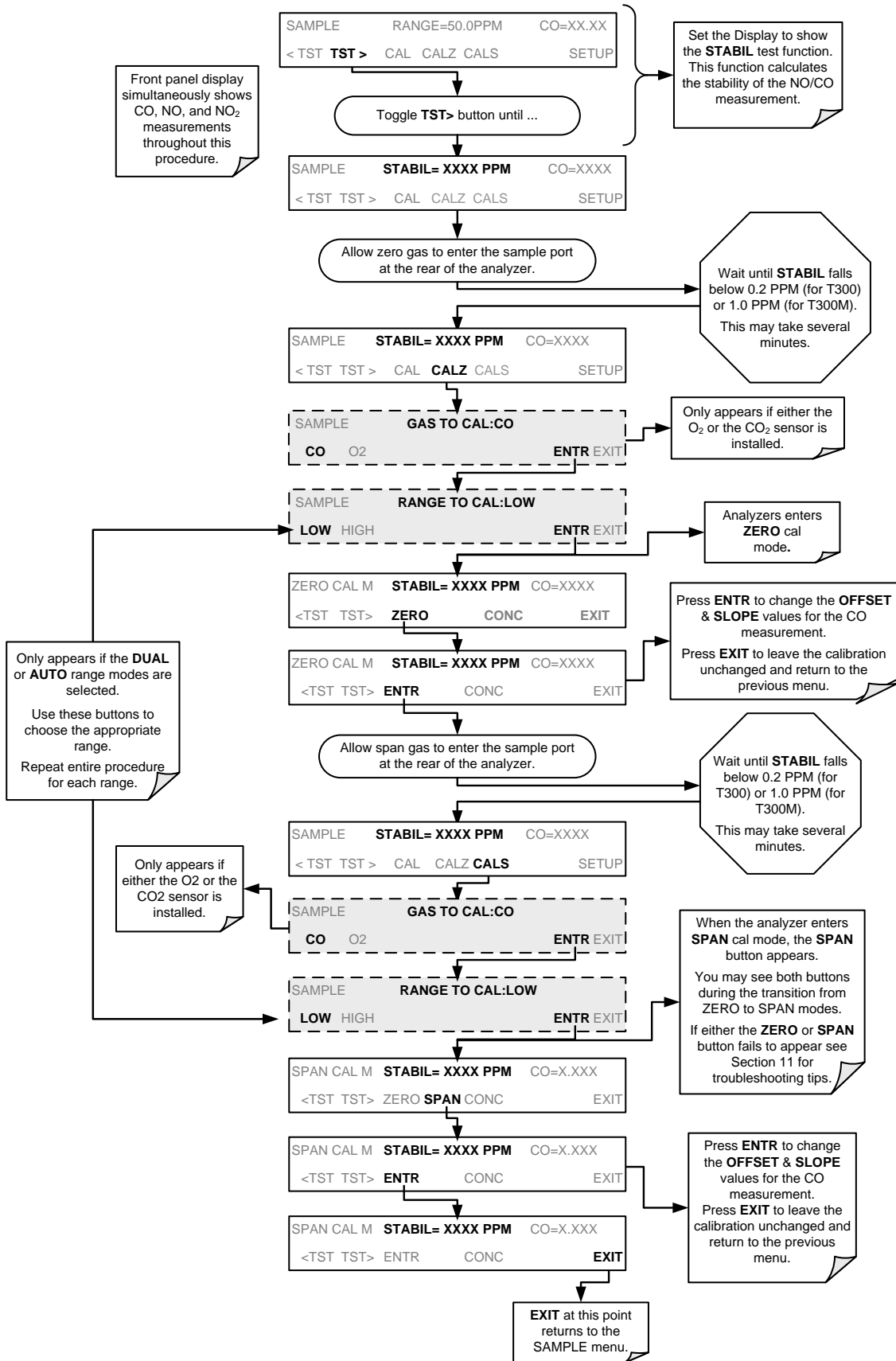
IMPACT ON READINGS OR DATA

For this Initial Calibration it is important to independently verify the **PRECISE CO Concentration Value of the SPAN gas.**

If the source of the Span Gas is from a **Calibrated Bottle**, use the exact concentration value printed on the bottle.

9.3.3.2. ZERO/SPAN POINT CALIBRATION PROCEDURE

The zero and cal operations are initiated directly and independently with dedicated buttons (**CALZ & CALS**).



9.3.3.3. USE OF ZERO/SPAN VALVE WITH REMOTE CONTACT CLOSURE

Contact closures for controlling calibration and calibration checks are located on the rear panel **CONTROL IN** connector. Instructions for setup and use of these contacts can be found in Section 3.3.1.6.

When the appropriate contacts are closed for at least 5 seconds, the instrument switches into zero, or span calibration mode and any internal zero/span valves installed will be automatically switched to the appropriate configuration.

- The remote calibration contact closures may be activated in any order.
- It is recommended that contact closures remain closed for at least 10 minutes to establish a reliable reading.
- The instrument will stay in the selected mode for as long as the contacts remain closed.

If contact closures are being used in conjunction with the analyzer's AutoCal (see Section 9.4) feature and the AutoCal attribute "**CALIBRATE**" is enabled, the T300/T300M will not recalibrate the analyzer until the contact is opened. At this point, the new calibration values will be recorded before the instrument returns to **Sample Mode**.

If the AutoCal attribute "**CALIBRATE**" is disabled, the instrument will return to **Sample Mode**, leaving the instruments internal calibration variables unchanged.

9.4. AUTOMATIC ZERO/SPAN CAL/CHECK (AUTOCAL)

The AutoCal system allows unattended periodic operation of the **ZERO/SPAN** valve options by using the T300/T300M Analyzer's internal time of day clock. AutoCal operates by executing **SEQUENCES** programmed by the user to initiate the various calibration modes of the analyzer and open and close valves appropriately. It is possible to program and run up to three separate sequences (**SEQ1**, **SEQ2** and **SEQ3**). Each sequence can operate in one of three modes, or be disabled.

Table 9-2: AUTOCAL Modes

MODE NAME	ACTION
DISABLED	Disables the Sequence.
ZERO	Causes the Sequence to perform a Zero calibration/check.
ZERO-SPAN	Causes the Sequence to perform a Zero point calibration/check followed by a Span point calibration/check.
SPAN	Causes the Sequence to perform a Span concentration calibration/check only.

For each mode, there are seven parameters that control operational details of the SEQUENCE (see Table 9-3).

Table 9-3: AutoCal Attribute Setup Parameters

ATTRIBUTE	ACTION
TIMER ENABLED	Turns on the Sequence timer.
STARTING DATE	Sequence will operate after Starting Date.
STARTING TIME	Time of day sequence will run.
DELTA DAYS	Number of days to skip between each Sequence execution. <ul style="list-style-type: none"> If set to 7, for example, the AutoCal feature will be enabled once every week on the same day.
DELTA TIME	Number of hours later each “Delta Days” Seq is to be run. <ul style="list-style-type: none"> If set to 0, the sequence will start at the same time each day. Delta Time is added to Delta Days for the total time between cycles. This parameter prevents the analyzer from being calibrated at the same daytime of each calibration day and prevents a lack of data for one particular daytime on the days of calibration.
DURATION	Number of minutes the sequence operates. <ul style="list-style-type: none"> This parameter needs to be set such that there is enough time for the concentration signal to stabilize. The STB parameter shows if the analyzer response is stable at the end of the calibration. This parameter is logged with calibration values in the DAS.
CALIBRATE	Enable to do a calibration – Disable to do a cal check only. <ul style="list-style-type: none"> This setting must be OFF for analyzers used in US EPA applications and with internal span gas generators installed and functioning.
RANGE TO CAL	LOW calibrates the low range, HIGH calibrates the high range. Applies only to auto and remote range modes; this property is not available in single and independent range modes.

Note

The CALIBRATE attribute (formerly called “dynamic calibration”) must always be set to OFF for analyzers used in US EPA controlled applications that have internal span gas generators option installed.

Calibration of instruments used in US EPA related applications should only be performed using external sources of zero air and span gas with an accuracy traceable to EPA or NIST standards and supplied through the analyzer’s sample port..

The following example sets sequence #2 to do a zero-span calibration every other day starting at 2:15 PM on September 4, 2008, lasting 15 minutes, without calibration. This will start ½ hour later each iteration.

Table 9-4: Example AutoCal Sequence

MODE AND ATTRIBUTE	VALUE	COMMENT
SEQUENCE	2	Define Sequence #2
MODE	ZERO-SPAN	Select Zero and Span Mode
TIMER ENABLE	ON	Enable the timer
STARTING DATE	Sept. 4, 2008	Start after Sept 4, 2008
STARTING TIME	14:15	First Span starts at 2:15 PM
DELTA DAYS	2	Do Sequence #2 every other day
DELTA TIME	00:30	Do Sequence #2 ½ hr later each day
DURATION	30.0	Operate Span valve for 15 min
CALIBRATE	ON	Calibrate at end of Sequence

IMPORTANT

IMPACT ON READINGS OR DATA

The programmed **STARTING_TIME** must be a minimum of 5 minutes later than the real time clock for setting real time clock (See Section 5.6.4).

Avoid setting two or more sequences at the same time of the day. Any new sequence that is initiated whether from a timer, the COM ports or the contact closure inputs will override any sequence that is in progress.

IMPORTANT

IMPACT ON READINGS OR DATA

With **CALIBRATE** turned **ON**, the state of the internal setup variables **DYN_SPAN** and **DYN_ZERO** is set to **ON** and the instrument will reset the slope and offset values for the CO response each time the AutoCal program runs.

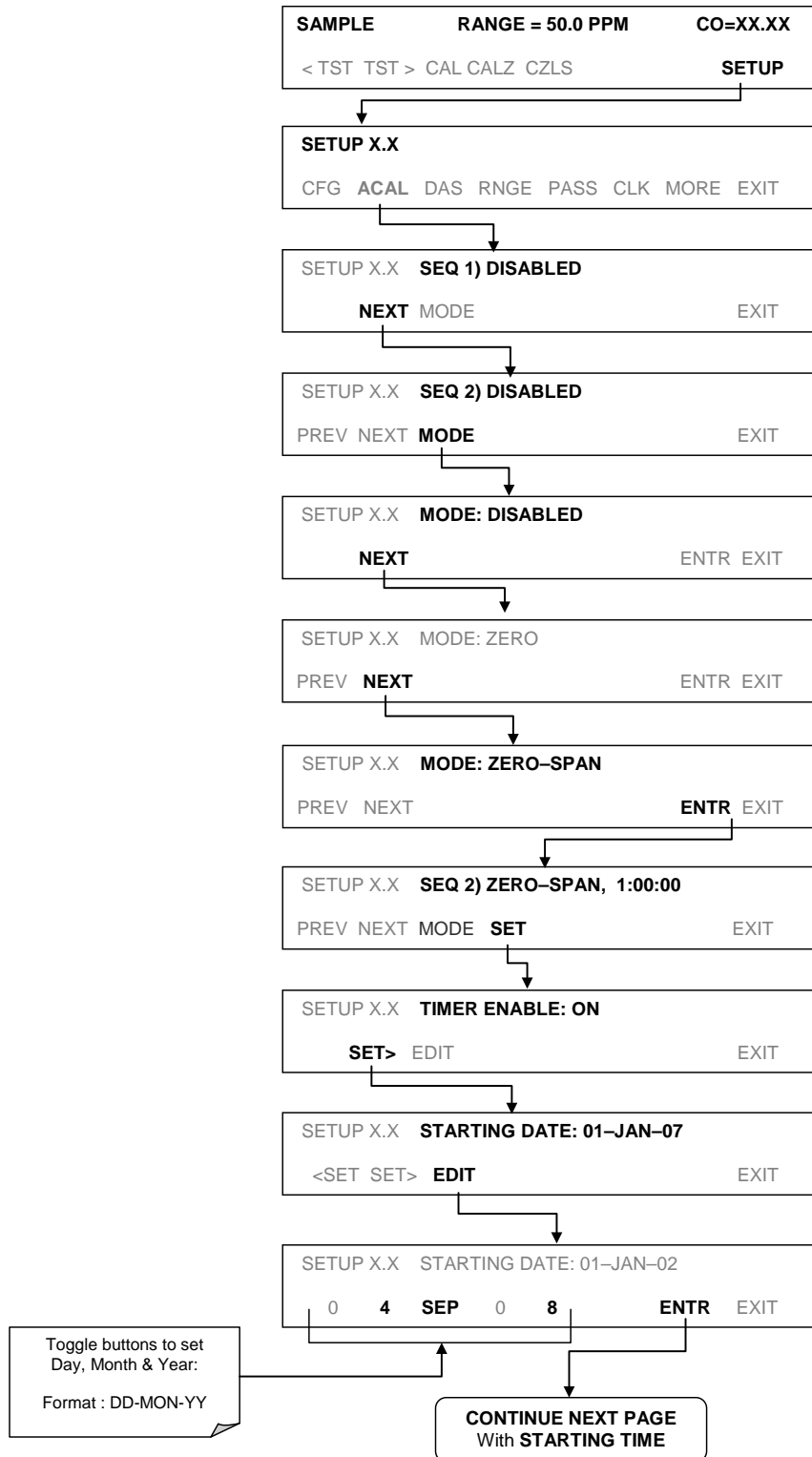
This continuous readjustment of calibration parameters can often mask subtle fault conditions in the analyzer. It is recommended that, if **CALIBRATE** is enabled, the analyzer's test functions, slope and offset values be checked frequently to assure high quality and accurate data from the instrument.

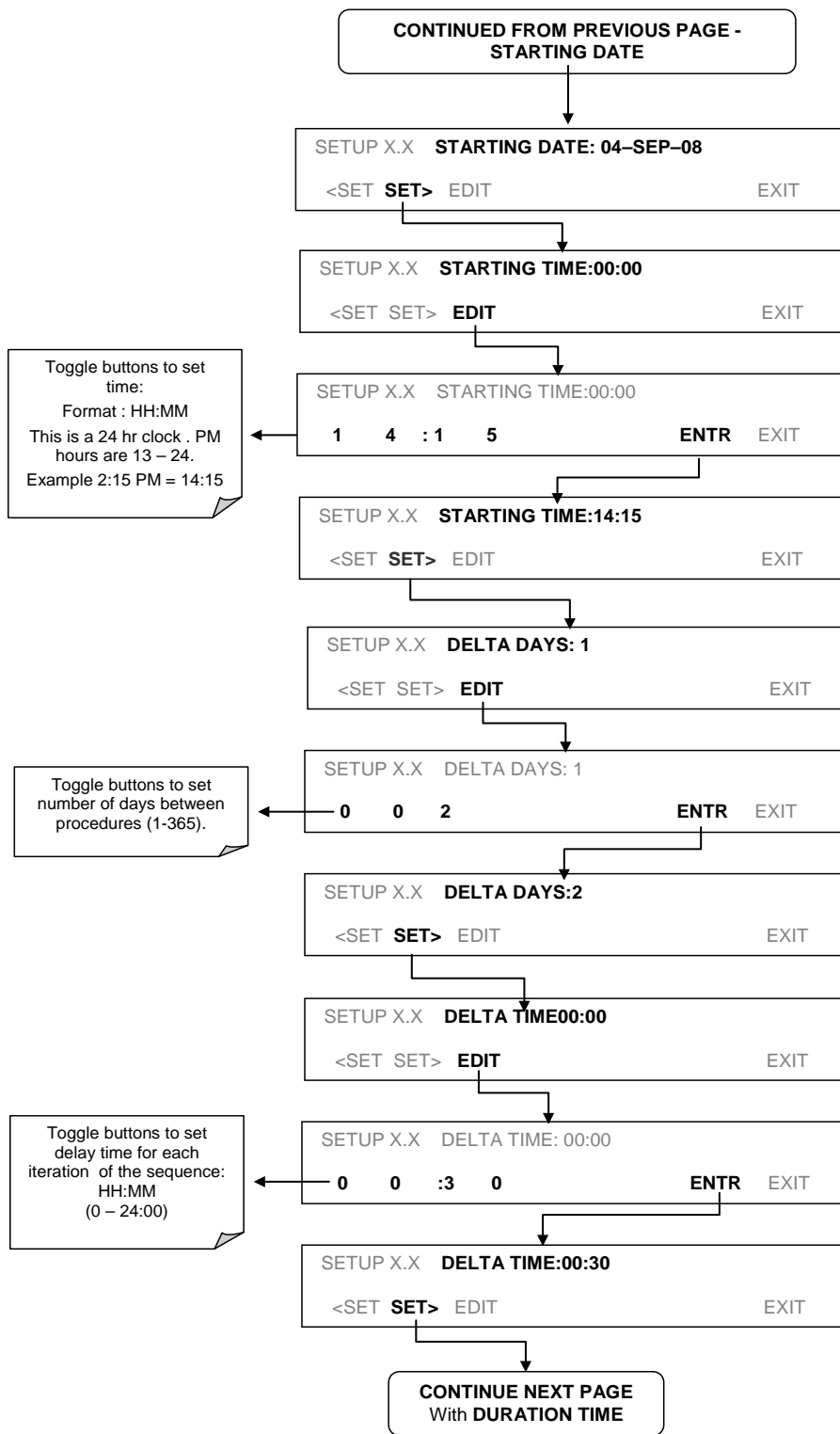
9.4.1. SETUP → ACAL: PROGRAMMING AND AUTO CAL SEQUENCE

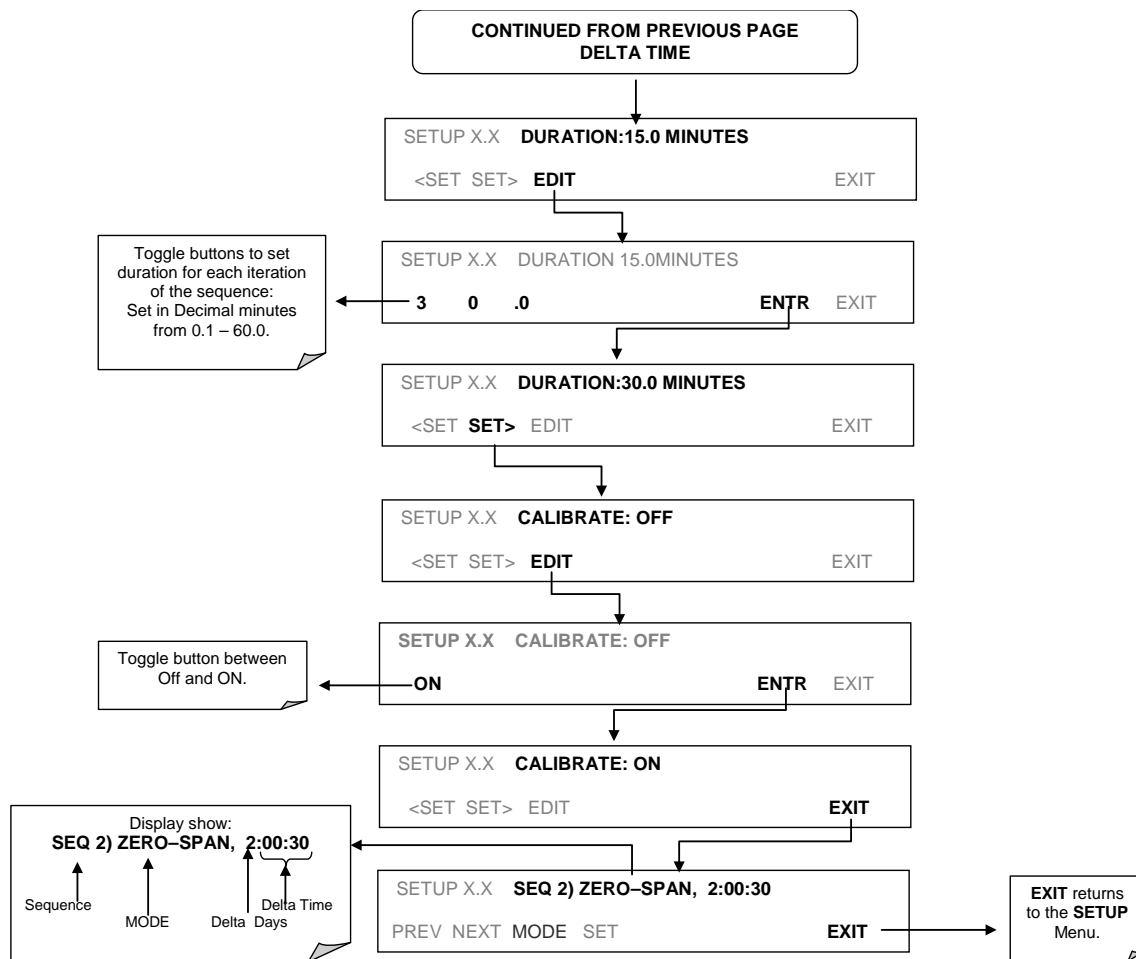
Note

If at any time an illegal entry is selected, (for example: Delta Days > 366) the ENTR label will disappear from the control button.

To program the example sequence shown in Table 9-4, press:

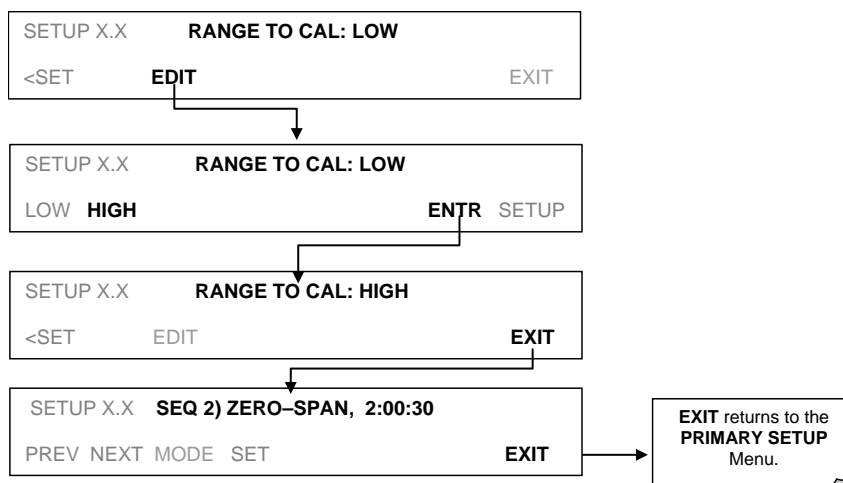






9.4.1.1. AUTOCAL WITH AUTO OR DUAL REPORTING RANGES MODES SELECTED

If the T300/T300M Analyzer is set for either the Dual or Auto reporting range modes, the following three steps will appear at the beginning of the AutoCal setup routine:



Note

In order to automatically calibrate both the HIGH and LOW ranges, you must set up a separate sequence for each.

9.5. CO CALIBRATION QUALITY

After completing one of the calibration procedures described above, it is important to evaluate the analyzer's calibration **SLOPE** and **OFFSET** parameters. These values describe the linear response curve of the analyzer. The values for these terms, both individually and relative to each other, indicate the quality of the calibration.

To perform this quality evaluation, you will need to record the values of both test functions (see Section 3.4.3 or Appendix A-3), all of which are automatically stored in the DAS channel CALDAT for data analysis, documentation and archival.

Make sure that these parameters are within the limits listed below and frequently compare them to those values on the *Final Test and Validation Data Sheet* that came attached to your manual, which should not be significantly different. If they are, refer to the troubleshooting Section 11.

Table 9-5: Calibration Data Quality Evaluation

FUNCTION	MINIMUM VALUE	OPTIMUM VALUE	MAXIMUM VALUE
SLOPE	0.700	1.000	1.300
OFFS	-0.500	0.000	0.500
These values should not be significantly different from the values recorded on the Teledyne ML's <i>Final Test and Validation Data Sheet</i> that was shipped with your instrument. If they are, refer to the troubleshooting Section 11.			

The default DAS configuration records all calibration values in channel **CALDAT** as well as all calibration check (zero and span) values in its internal memory.

- Up to 200 data points are stored for up to 4 years of data (on weekly calibration checks) and a lifetime history of monthly calibrations.
- Review these data to see if the zero and span responses change over time.
- These channels also store the **STABIL** value (standard deviation of CO concentration) to evaluate if the analyzer response has properly leveled off during the calibration procedure.
- Finally, the **CALDAT** channel also stores the converter efficiency for review and documentation.

If your instrument has either an O₂ or CO₂ sensor option installed these should be calibrated as well.

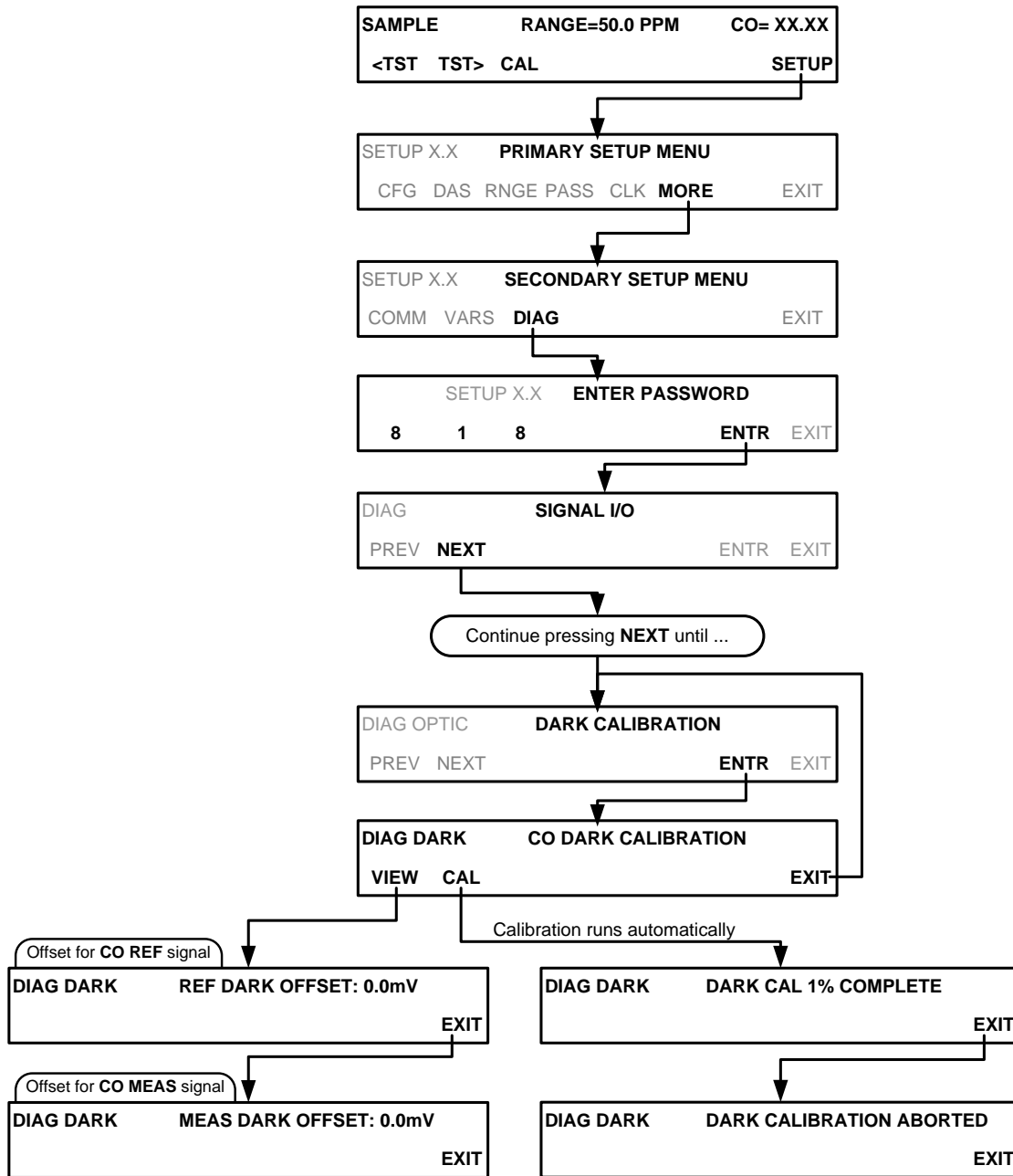
9.6. CALIBRATION OF THE T300/T300M'S ELECTRONIC SUBSYSTEMS

9.6.1. DARK CALIBRATION TEST

The dark calibration test interrupts the signal path between the IR photo-detector and the remainder of the sync/demod board circuitry. This allows the instrument to compensate for any voltage levels inherent in the sync/demod circuitry that might effect the calculation of CO concentration.

Performing this calibration returns two offset voltages, one for **CO MEAS** and one for **CO REF** that are automatically added to the CPU's calculation routine. The two offset voltages from the last calibration procedure may be reviewed by the user via the front panel display. (See also Section 5.9.5).

To activate the dark calibration procedure or review the results of a previous calibration, press:



9.6.2. PRESSURE CALIBRATION

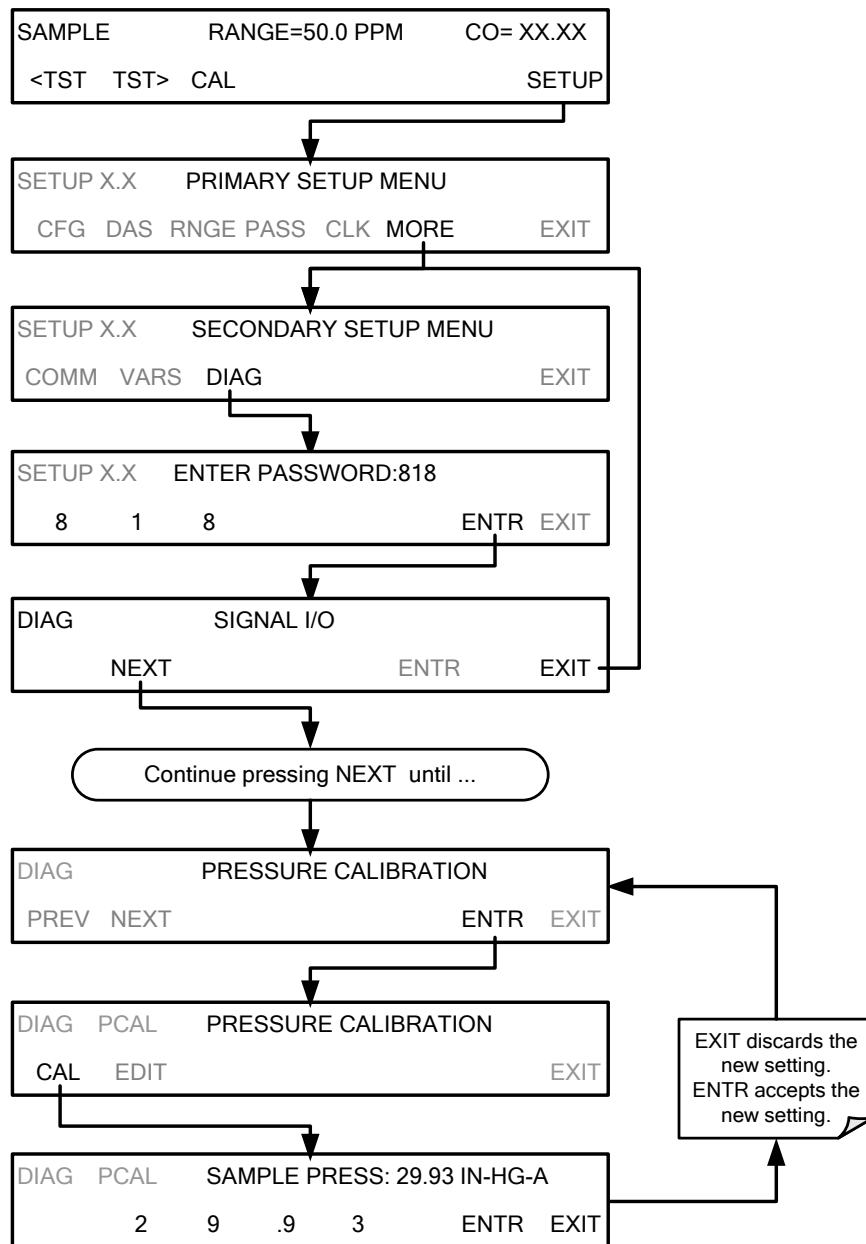
A sensor at the sample chamber outlet continuously measures the pressure of the sample gas. These data are used to compensate the final CO concentration calculation for changes in atmospheric pressure and is stored in the CPU’s memory as the test function **PRES** (also viewable via the front panel). See also Section 5.9.6.

IMPORTANT

IMPACT ON READINGS OR DATA

This calibration must be performed when the pressure of the sample gas is equal to ambient atmospheric pressure. Before performing the following pressure calibration procedure, disconnect the sample gas pump and sample gas-line vent from the rear panel sample gas inlet.

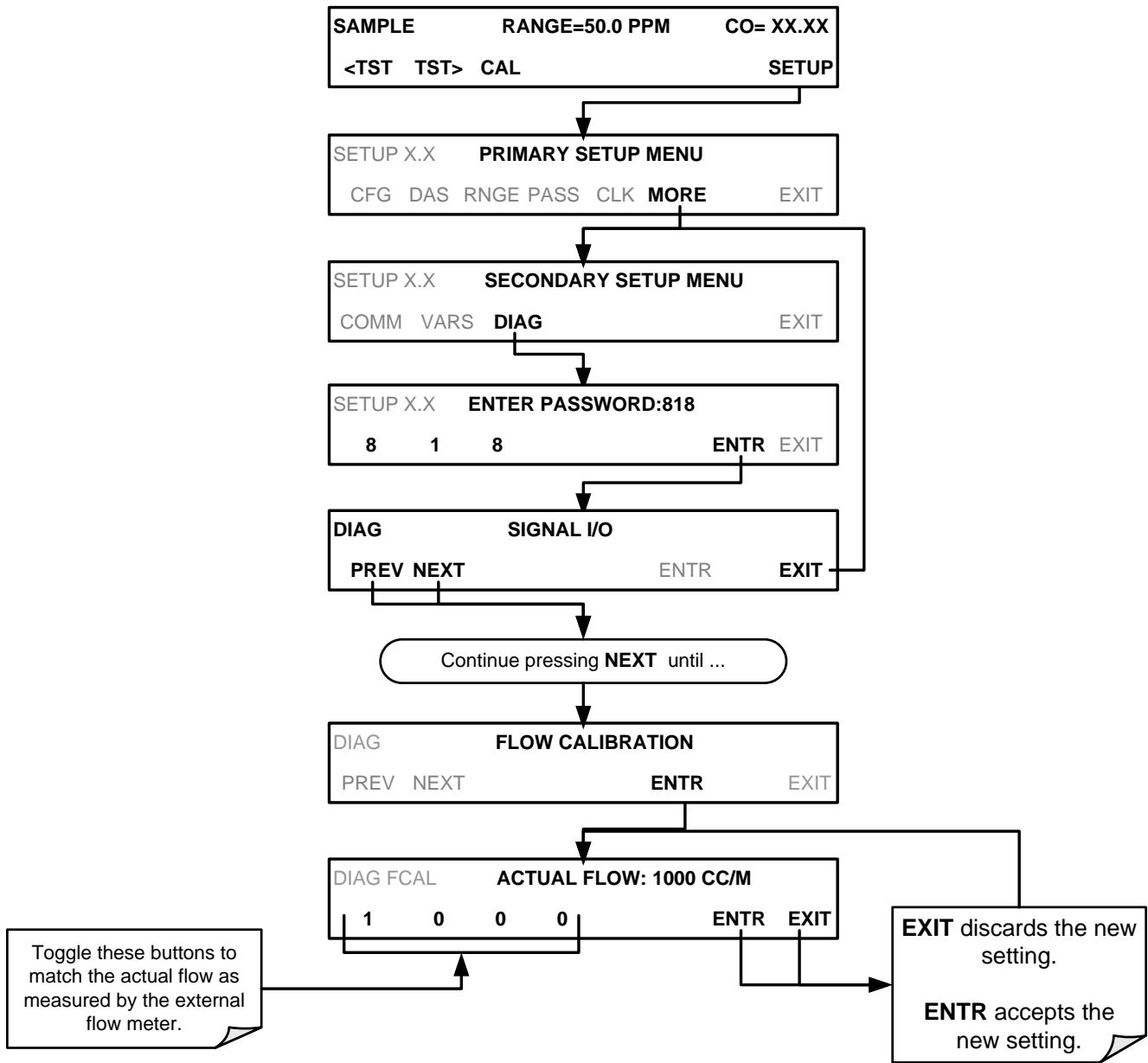
To cause the analyzer to measure and record a value for **PRES**, press.



9.6.3. FLOW CALIBRATION

The flow calibration allows the user to adjust the values of the sample flow rates as they are displayed on the front panel and reported through COMM ports to match the actual flow rate measured at the sample inlet. This does not change the hardware measurement of the flow sensors, only the software-calculated values.

To carry out this adjustment, connect an external, sufficiently accurate flow meter to the sample inlet (see Section 11.3.4 for more details). Once the flow meter is attached and is measuring actual gas flow, press:



See also Section 5.9.7.

9.7. CALIBRATION OF OPTIONAL SENSORS

This section provides the calibration setup and procedures for the O₂ Sensor and the CO₂ Sensor options.

9.7.1. O₂ SENSOR CALIBRATION

Presented here are the setup and the calibration steps for the O₂ Sensor.

9.7.1.1. O₂ PNEUMATICS CONNECTIONS

The pneumatic connections for calibrating are as follows:

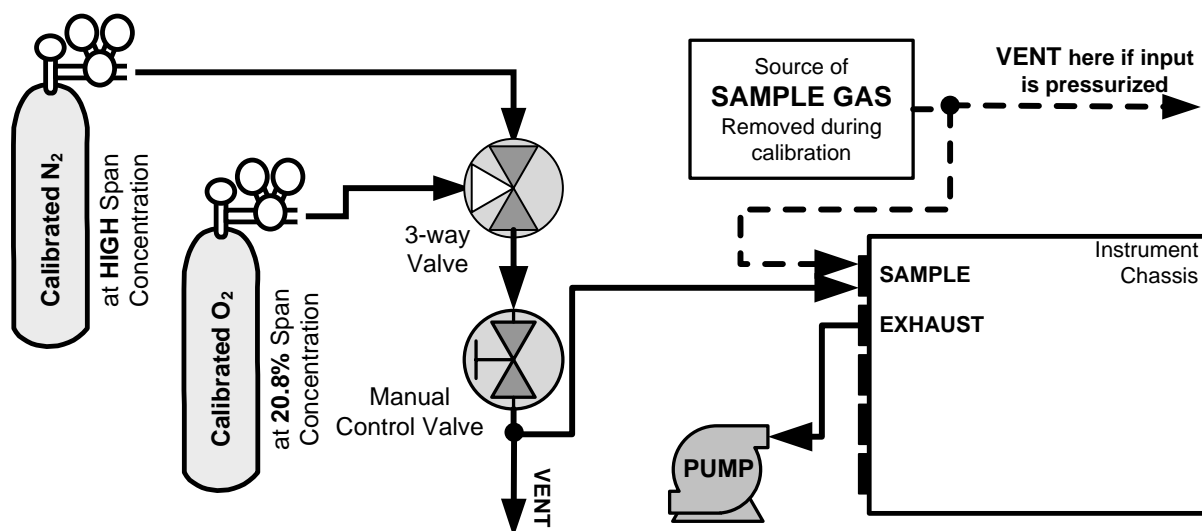


Figure 9-7: O₂ Sensor Calibration Set Up

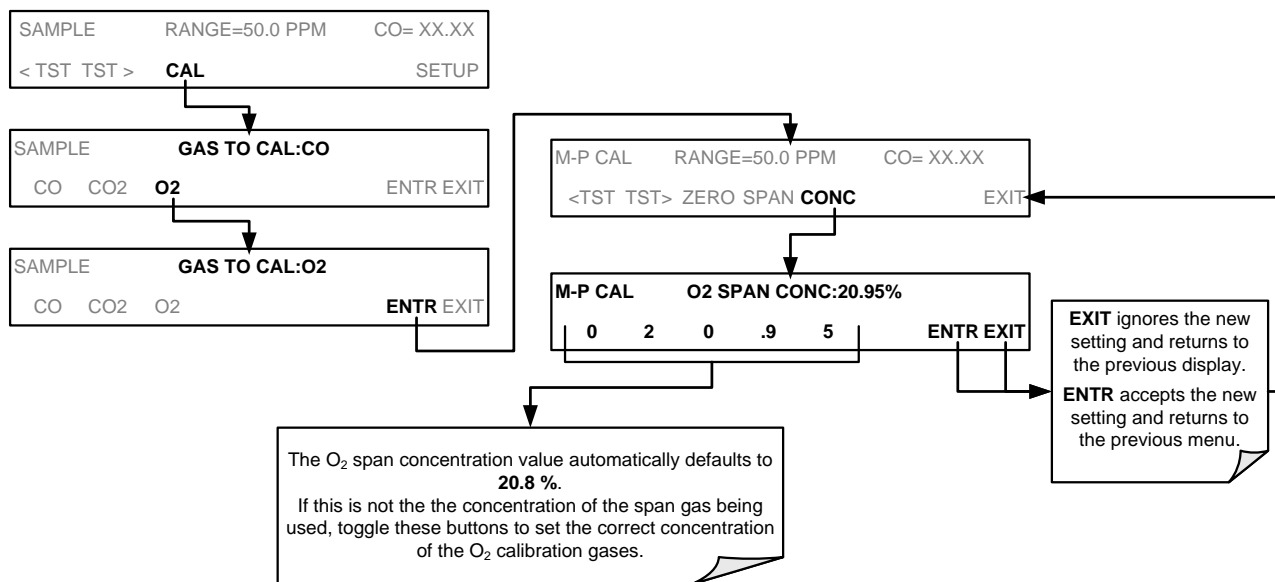
O₂ SENSOR ZERO GAS: Teledyne ML recommends using pure N₂ when calibrating the zero point of your O₂ sensor option.

O₂ SENSOR SPAN GAS: Teledyne ML recommends using 20.8% O₂ in N₂ when calibrating the span point of your O₂ sensor option (See Table 3-12).

9.7.1.2. SET O₂ SPAN GAS CONCENTRATION

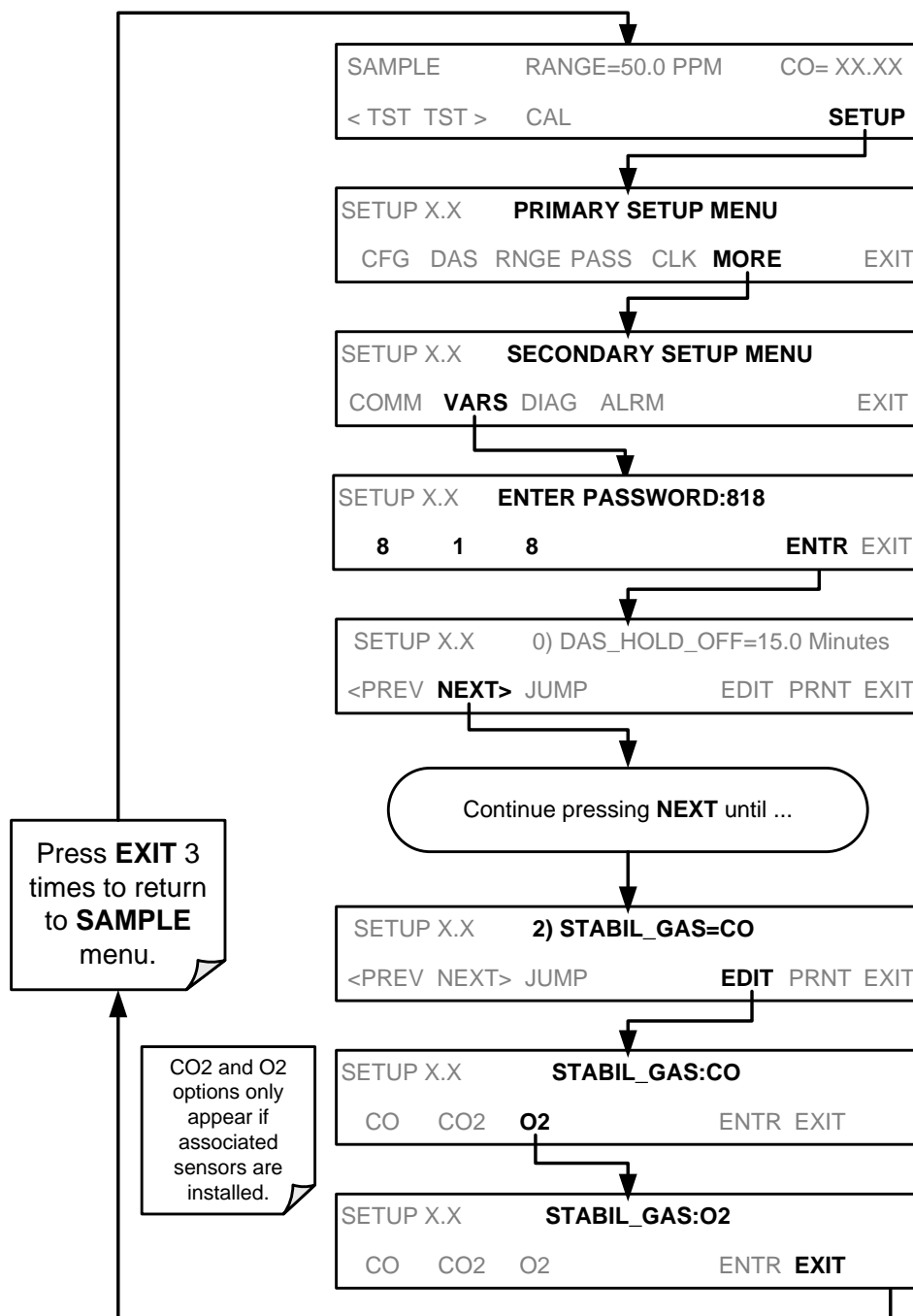
Set the expected O₂ span gas concentration.

This should be equal to the percent concentration of the O₂ span gas of the selected reporting range (default factory setting = 20.8%; the approximate O₂ content of ambient air).



9.7.1.3. ACTIVATE O2 SENSOR STABILITY FUNCTION

To change the stability test function from CO concentration to the O₂ sensor output, press:

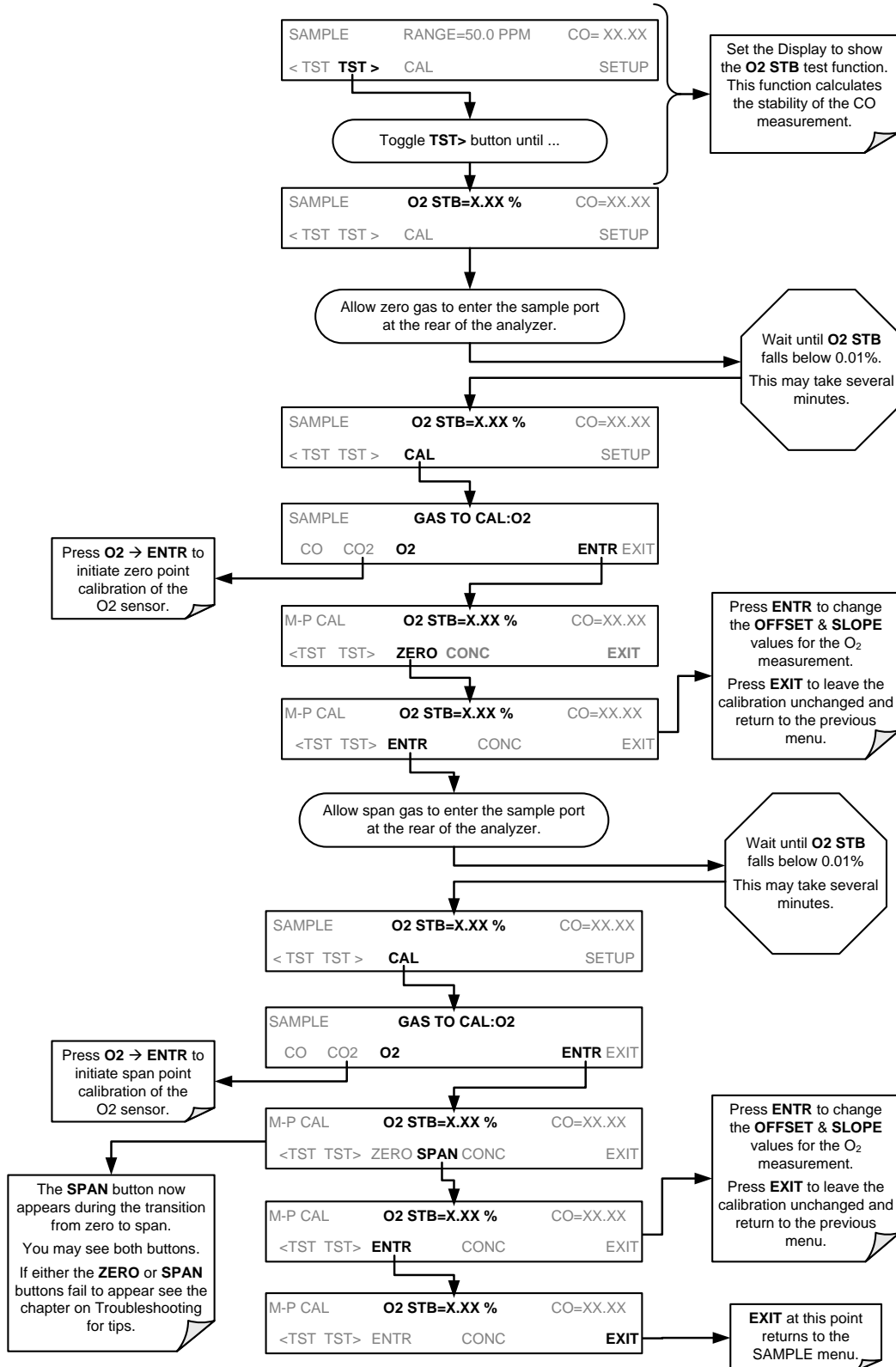


Note

Use the same procedure to reset the STB test function to CO when the O₂ calibration procedure is complete.

9.7.1.4. O2 ZERO/SPAN CALIBRATION

To perform the zero/span calibration procedure:



9.7.2. CO₂ SENSOR CALIBRATION PROCEDURE

Presented here are the setup and the calibration steps for the CO₂ Sensor.

9.7.2.1. CO₂ PNEUMATICS CONNECTIONS

The pneumatic connections for calibrating are as follows:

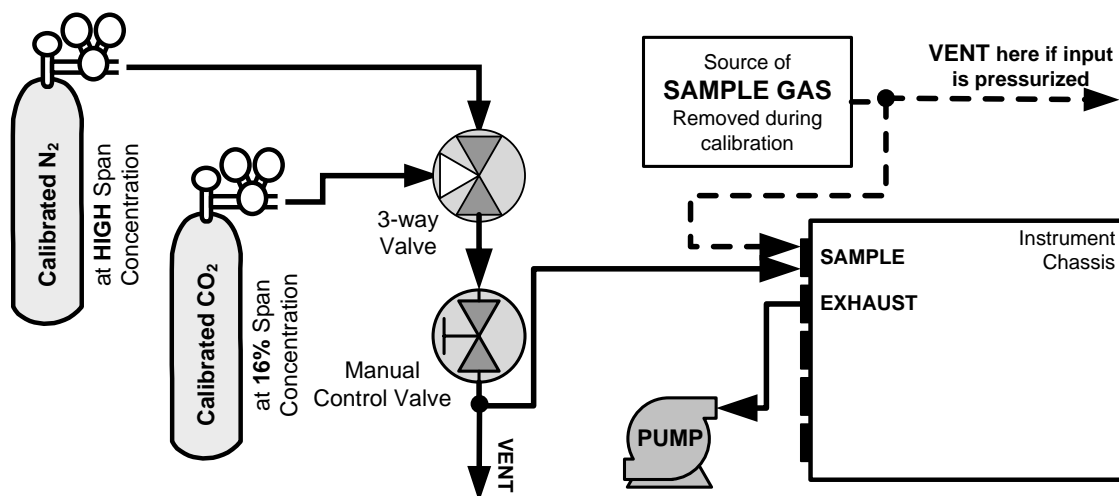


Figure 9-8: CO₂ Sensor Calibration Set Up

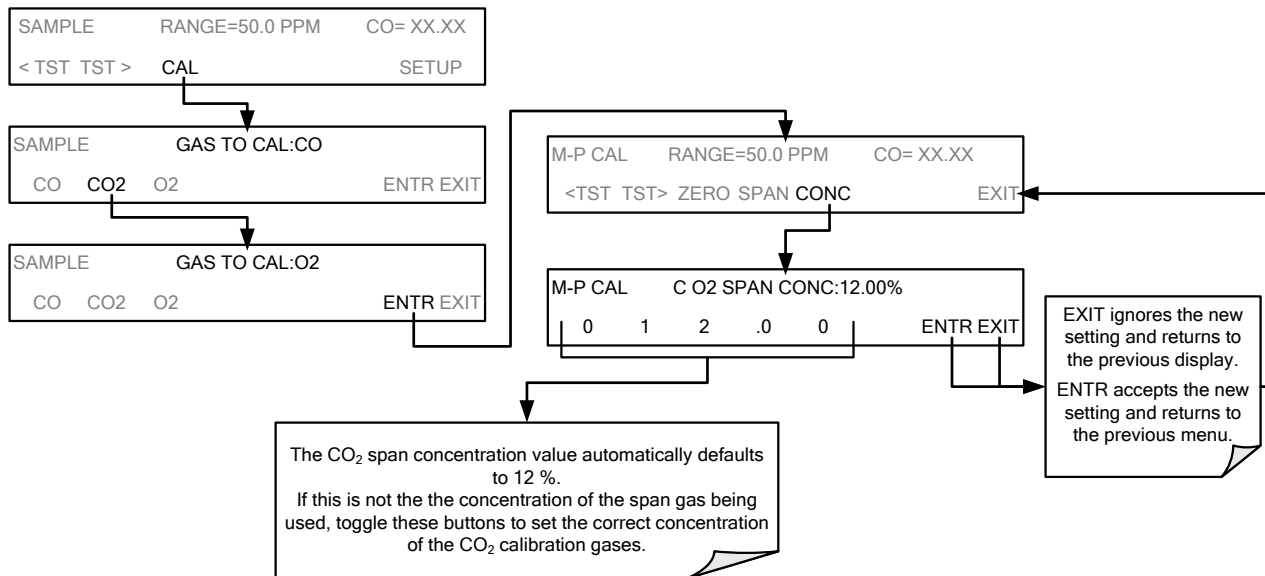
CO₂ SENSOR ZERO GAS: Teledyne ML recommends using pure N₂ when calibrating the zero point of your CO₂ sensor option.

CO₂ SENSOR SPAN GAS: Teledyne ML recommends using 16% CO₂ in N₂ when calibrating if the span point of your CO₂ sensor option (Table 3-12) is 20%.

9.7.2.2. SET CO₂ SPAN GAS CONCENTRATION:

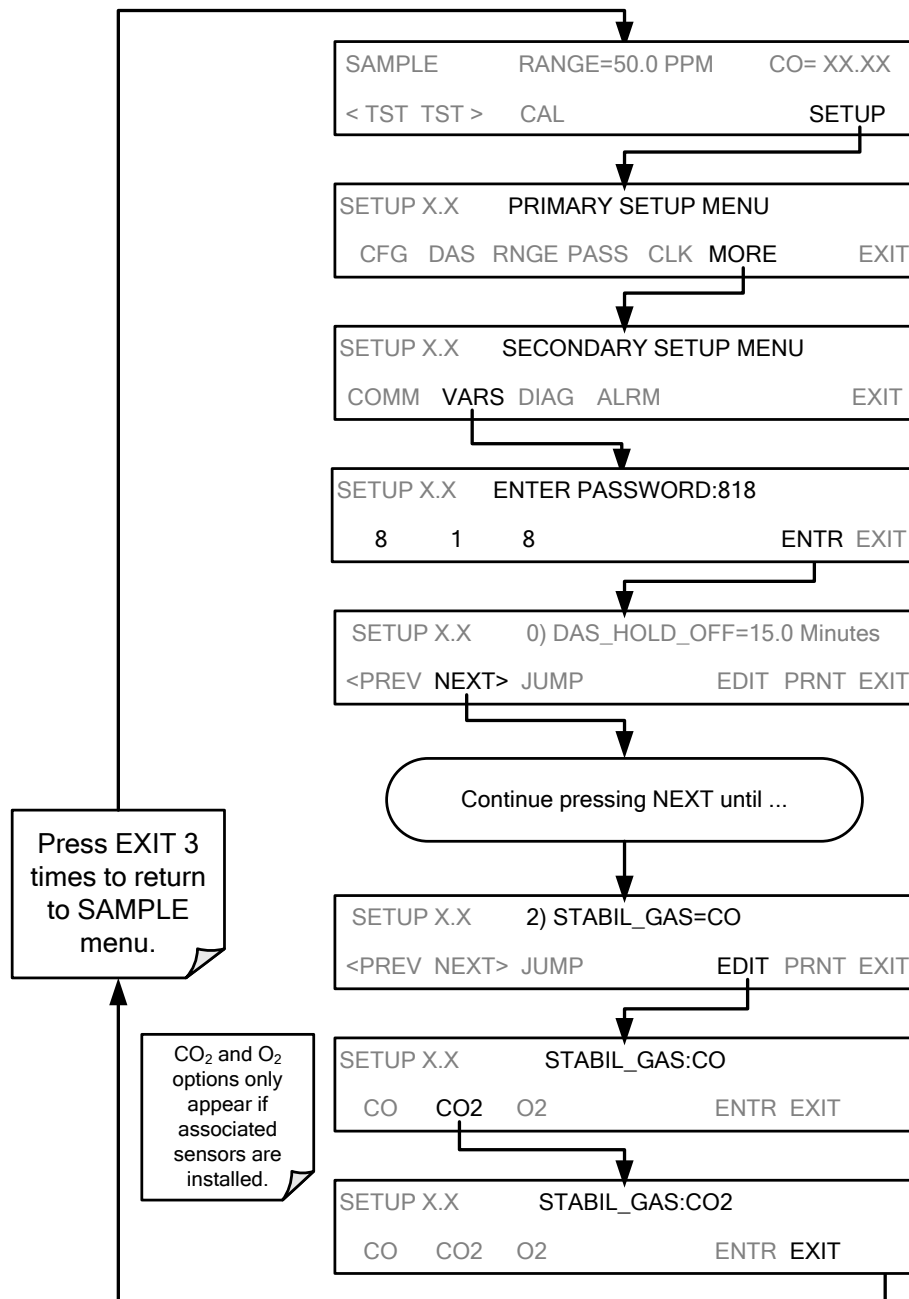
Set the expected CO₂ span gas concentration.

This should be equal to the percent concentration of the CO₂ span gas of the selected reporting range (default factory setting = 12%).



9.7.2.3. ACTIVATE CO₂ SENSOR STABILITY FUNCTION

To change the stability test function from CO concentration to the CO₂ sensor output, press:

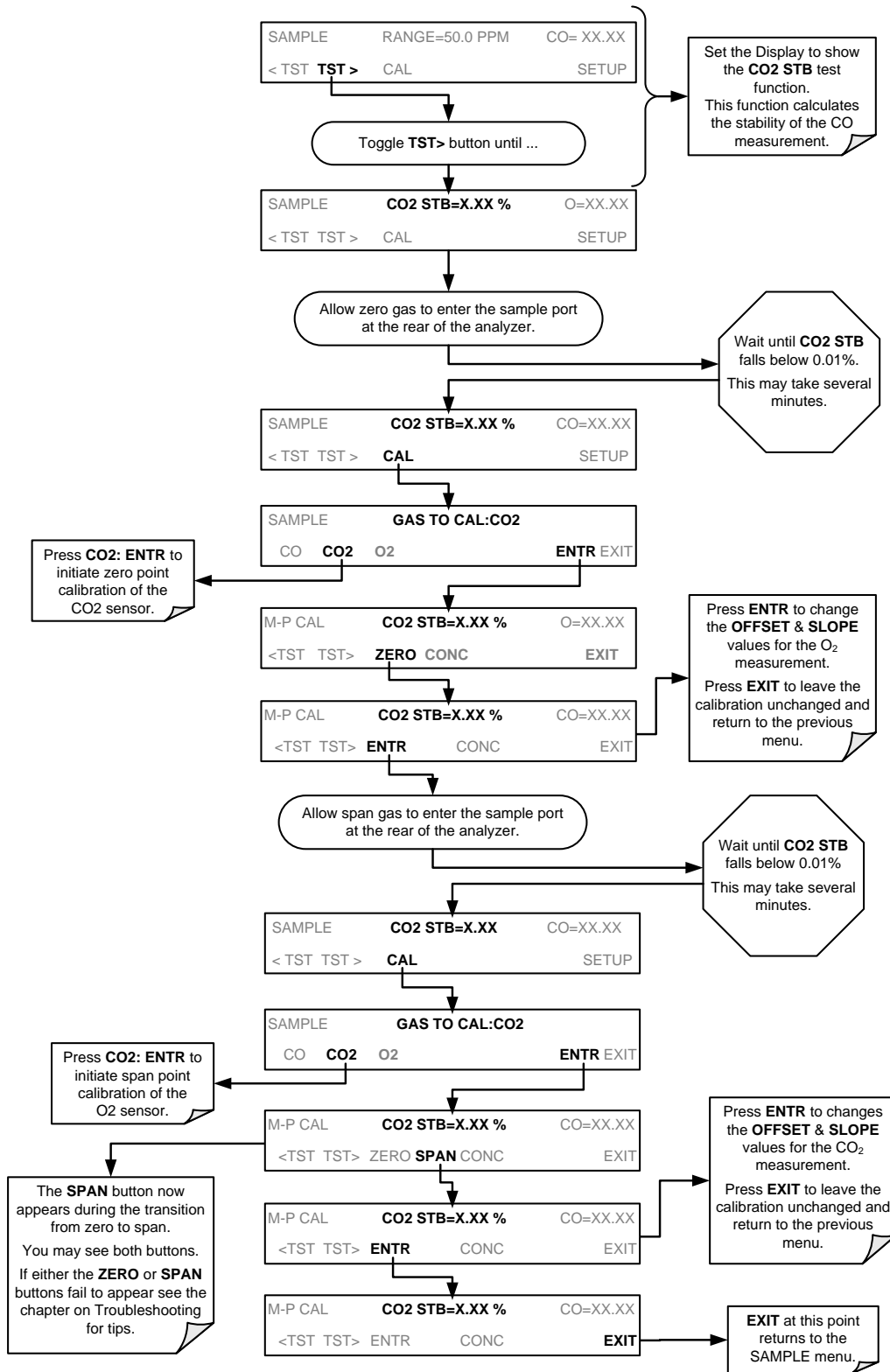


Note

Use the same procedure to reset the STB test function to CO when the CO₂ calibration procedure is complete.

9.7.2.4. CO2 ZERO/SPAN CALIBRATION

To perform the zero/span calibration procedure:



10. EPA CALIBRATION PROTOCOL

10.1. CALIBRATION REQUIREMENTS

If the T300 is to be used for EPA SLAMS monitoring, it must be calibrated in accordance with the instructions in this section.

The USEPA strongly recommends that you obtain a copy of the publication *Quality Assurance Handbook for Air Pollution Measurement Systems Volume 2: Part 1, Ambient* (abbreviated, *Q.A. Handbook Volume II*). This manual can be purchased from:

- USEPA Order Number: EPA454R98004; or NTIS Order Number: PB99 129876.
- National Technical Information Service (phone 800-553-6847) or Center for Environmental Research Information or the U.S. Government Printing Office at <http://www.gpo.gov>. The Handbook can also be located on line by searching for the title at <http://www.epa.gov>.
- Special attention should be paid to Section 2.6 of that which covers CO analyzers of this type. Specific regulations regarding the use and operation of ambient CO analyzers can be found in Reference 1 at the end of this Section.

A bibliography and references relating to CO monitoring are listed in Section 10.6.

10.1.1. CALIBRATION OF EQUIPMENT - GENERAL GUIDELINES

In general, calibration is the process of adjusting the gain and offset of the T300 against some recognized standard. In this section the term dynamic calibration is used to express a multipoint check against known standards and involves introducing gas samples of known concentration into the instrument in order to adjust the instrument to a predetermined sensitivity and to produce a calibration relationship.

This relationship is derived from the instrumental response to successive samples of different known concentrations. As a minimum, three reference points and a zero point are recommended to define this relationship.

All monitoring instrument systems are subject to some drift and variation in internal parameters and cannot be expected to maintain accurate calibration over long periods of time. Therefore, it is necessary to dynamically check the calibration relationship on a predetermined schedule. Zero and span checks must be used to document that the data remains within control limits. These checks are also used in data reduction and validation.

Calibration can be done by either diluting high concentration CO standards with zero air or using individual tanks of known concentration. Details of documentation, forms and procedures should be maintained with each analyzer and also in a central backup file as described in Section 2.6.2 of the Quality Assurance Handbook.

The reliability and usefulness of all data derived from any analyzer depends primarily upon its state of calibration. To ensure accurate measurements of the CO levels:

1. The analyzer must be calibrated at the time of installation and recalibrated as necessary.
2. In order to insure that high quality, accurate measurement information is obtained at all times, the analyzer must be calibrated prior to use.
3. Calibrations should be carried out at the field-monitoring site.
4. The analyzer should be in operation for at least several hours (preferably overnight) before calibration so that it is fully warmed up and its operation has stabilized.
5. If the instrument will be used on more than one range, it should be calibrated separately on each applicable range.
6. Calibration documentation should be maintained with each analyzer and also in a central backup file.
7. The true values of the calibration gases used must be traceable to NIST-SRMs See Table 3-12.

10.1.2. CALIBRATION EQUIPMENT, SUPPLIES, AND EXPENDABLES

The measurement of CO in ambient air requires a certain amount of basic sampling equipment and supplemental supplies. The Quality Assurance Handbook Section 2.6 contains information about setting up the appropriate systems.

10.1.2.1. DATA RECORDING DEVICE

Either a strip chart recorder, data acquisition system, digital data acquisition system should be used to record the data from the Mode; T300 RS-232 port or analog outputs. If analog readings are being used, the response of that system should be checked against a NIST referenced voltage source or meter. Data recording device should be capable of bi-polar operation so that negative readings can be recorded.

10.1.2.2. SPARE PARTS AND EXPENDABLE SUPPLIES

In addition to the basic equipment described in the Q.A. Handbook, it is necessary to maintain an inventory of spare parts and expendable supplies. Section 11 describes the parts that require periodic replacement and the frequency of replacement. Appendix B of this Technical Manual contains a list of spare parts and kits of expendables supplies.

Table 10-1: Matrix for Calibration Equipment & Supplies

EQUIPMENT & SUPPLIES	SPECIFICATION	REFERENCE	ACTION IF REQUIREMENTS ARE NOT MET
Recorder	Compatible with output signal of analyzer; min. chart width of 150 mm (6 in) is recommended		Return equipment to supplier
Sample line and manifold	Constructed of PTFE or glass	Check upon receipt	Return equipment to supplier
Calibration equipment	Q.A. Handbook ¹ Vol II Part 1 , App 15, Sec. 4.4 & 5.4		Return equipment/ supplies to supplier or take corrective action
Detection limit	Noise = 0.5 ppm Lower detectable limit=1.0 ppm	40 CFR, Pt 53.20 & 23 ²	Instrument designated as reference or equivalent has been determined to meet these acceptance criteria.
Working standard CO cylinder gas	Traceable to NIST-SRM	Analyzed against NIST-SRM; 40 CFR, Pt 50, App C; para. 3.1 ³	Obtain new working standard and check for traceability
Zero air	Clean dry ambient air, free of contaminants that cause detectable response with the CO analyzer.	40 CFR, Pt 50, App C; para. 3.2 ³	Obtain air from another source or regenerate.
Record form	Q.A. Handbook ¹ Vol II Part 1 , App 15, Table A-5 & A-6		Revise forms as appropriate
Audit equipment	Must not be the same as used for calibration	Q.A. Handbook ¹ Vol II Part 1 , App 15, Sec. 4.4 & 5.4	Locate problem and correct or return to supplier

10.1.3. RECOMMENDED STANDARDS FOR ESTABLISHING TRACEABILITY

To assure data of desired quality, two considerations are essential:

- The measurement process must be in statistical control at the time of the measurement.
- The systematic errors, when combined with the random variation in the measurement process, must result in a suitably small uncertainty.

Evidence of good quality data includes documentation of the quality control checks and the independent audits of the measurement process by recording data on specific forms or on a quality control chart and by using materials, instruments, and measurement procedures that can be traced to appropriate standards of reference.

To establish traceability, data must be obtained routinely by repeat measurements of standard reference samples (primary, secondary and/or working standards). More specifically, working calibration standards must be traceable to standards of higher accuracy, such as those listed in Table 3-12.

Cylinders of working gas traceable to NIST-SRMs (called EPA Protocol Calibration Gas) are also commercially available (from sources such as Scott Specialty Gases, etc.). See Table 3-12 for a list of appropriate SRMs.

10.1.4. CALIBRATION FREQUENCY

To ensure accurate measurements of the CO concentrations, calibrate the analyzer at the time of installation, and recalibrate it:

- No later than three months after the most recent calibration or performance audit which indicates the analyzers calibration is acceptable.
- When there is an interruption of more than a few days in analyzer operation.
- When any repairs have taken place which might affect its calibration.
- After a physical relocation of the analyzer.
- When any other indication (including excessive zero or span drift) of possible significant inaccuracy of the analyzer exists.

Following any of the activities listed above, the zero and span should be checked to determine if a calibration is necessary.

Table 10-2: Activity Matrix for Quality Assurance Checks

Characteristic	Acceptance limits	Frequency and method of measurement	Action if requirements are not met
Shelter temperature	Mean temperature between 22°C and 28°C (72° and 82°F), daily fluctuations not greater than $\pm 2^\circ\text{C}$	Check thermograph chart weekly for variations greater than $\pm 2^\circ\text{C}$ (4°F)	Mark strip chart for the affected time period Repair or adjust temperature control
Sample introduction system	No moisture, foreign material, leaks, obstructions; sample line connected to manifold	Weekly visual inspection	Clean, repair, or replace as needed
Recorder	Adequate ink & paper Legible ink traces Correct chart speed and range Correct time	Weekly visual inspection	Replenish ink and paper supply Adjust time to agree with clock; note on chart
Analyzer operational settings	TEST measurements at nominal values 2. T300 in Sample Mode	Weekly visual inspection	Adjust or repair as needed
Analyzer operational check	Zero and span within tolerance limits as described in Subsection 9.1.3 of Sec. 2.0.9 (Q.A. Handbook Vol II ⁴)	Level 1 zero/span every 2 weeks; Level 2 between Level 1 checks at frequency desired analyzer by user	Find source of error and repair After corrective action, re-calibrate analyzer
Precision check	Assess precision as described in Sec. 2.0.8 and Subsection 3.4.3 (Ibid.)	Every 2 weeks, Subsection 3.4.3 (Ibid.)	Calc, report precision, Sec. 2.0.8 (Ibid.)

10.1.5. LEVEL 1 CALIBRATIONS VERSUS LEVEL 2 CHECKS

Essential to quality assurance are scheduled checks for verifying the operational status of the monitoring system. The operator should visit the site at least once each week. It is recommended Level 1 zero and span check conducted on the analyzer every two weeks. Level 2 zero and span checks should be conducted at a frequency desired by the user. Definitions of these terms are given in Table 10-3.

To provide for documentation and accountability of activities, a checklist should be compiled and then filled out by the field operator as each activity is completed.

Table 10-3: Definition of Level 1 and Level 2 Zero and Span Checks**(Q.A. Handbook¹ Vol II, Part1, Section 12.3 & 12.4)**

LEVEL 1 ZERO AND SPAN CALIBRATION	LEVEL 2 ZERO AND SPAN CHECK
<p>A Level 1 zero and span calibration is a simplified, two-point analyzer calibration used when analyzer linearity does not need to be checked or verified. (Sometimes when no adjustments are made to the analyzer, the Level 1 calibration may be called a zero/span check, in which case it must not be confused with a Level 2 zero/span check.) Since most analyzers have a reliably linear or near-linear output response with concentration, they can be adequately calibrated with only two concentration standards (two-point concentration). Furthermore, one of the standards may be zero concentration, which is relatively easily obtained and need not be certified. Hence, only one certified concentration standard is needed for the two-point (Level 1) zero and span calibration. Although lacking the advantages of the multipoint calibration, the two-point zero and span calibration--because of its simplicity--can be (and should be) carried out much more frequently. Also, two-point calibrations are easily automated. Frequency checks or updating of the calibration relationship with a two-point zero and span calibration improves the quality of the monitoring data by helping to keep the calibration relationship more closely matched to any changes (drifts) in the analyzer response.</p>	<p>A Level 2 zero and span check is an "unofficial" check of an analyzer's response. It may include dynamic checks made with uncertified test concentrations, artificial stimulation of the analyzer's detector, electronic or other types of checks of a portion of the analyzer, etc.</p> <p>Level 2 zero and span checks are <u>not</u> to be used as a basis for analyzer zero or span adjustments, calibration updates, or adjustment of ambient data. They are intended as quick, convenient checks to be used between zero and span calibrations to check for possible analyzer malfunction or calibration drift. Whenever a Level 2 zero or span check indicates a possible calibration problem, a Level 1 zero and span (or multipoint) calibration should be carried out before any corrective action is taken.</p> <p>If a Level 2 zero and span check is to be used in the quality control program, a "reference response" for the check should be obtained immediately following a zero and span (or multipoint) calibration while the analyzer's calibration is accurately known. Subsequent Level 2 check responses should then be compared to the most recent reference response to determine if a change in response has occurred. For automatic Level 2 zero and span checks, the first scheduled check following the calibration should be used for the reference response. It should be kept in mind that any Level 2 check that involves only part of the analyzer's system cannot provide information about the portions of the system not checked and therefore cannot be used as a verification of the overall analyzer calibration.</p>

10.2. ZERO AND SPAN CHECKS

A system of Level 1 and Level 2 zero span checks is recommended. These checks must be conducted in accordance with the specific guidance given in Section 12 of the QA Handbook Vol II Part 1¹. It is recommended that Level 1 zero and span checks be conducted every two weeks. Level 2 checks should be conducted in between the Level 1 checks at a frequency desired by the user. Span concentrations for both levels should be between 70 and 90% of the measurement range.

Zero and span data are to be used to:

1. Provide data to allow analyzer adjustment for zero and span drift;
2. Provide a decision point on when to calibrate the analyzer;
3. Provide a decision point on invalidation of monitoring data.

Items 1 and 2 are described in detail in Subsection 9.1.3 of Section 2.0.9 (Q.A. Handbook Vol II⁴). Item 3 is described in Subsection 9.1.4 of the same section.

Refer to the Troubleshooting and Repair (see Section 13) of this manual if the instrument is not within the allowed variations.

10.2.1. ZERO/SPAN CHECK PROCEDURES

The Zero and Span calibration can be checked in a variety of different ways. They include:

- Manual Zero/Span Check - Zero and Span can be checked from the front panel touchscreen. The procedure is in Section 9.3 of this manual.
- Automatic Zero/Span Checks - After the appropriate setup, Z/S checks can be performed automatically every night. See Section 9.3 of this manual for setup and operation procedures.

If using the AutoCal feature to perform a calibration check, set the **CALIBRATE** parameter to **NO**.

- Zero/Span checks via remote contact closure = Zero/Span checks can be initiated via remote contact closures on the rear panel. See Section 9.3.3.3 of this manual.
- Zero/Span via RS-232 port - Z/S checks can be controlled via the RS-232 port. See Section 9.3.3.3 and Appendix A-6 of this manual for more details.

10.2.2. PRECISION CHECK

A periodic check is used to assess the data for precision. A one-point precision check must be carried out at least once every 2 weeks on each analyzer at a CO concentration between 8.0 ppm and 10.0 ppm.

The analyzer must be operated in its normal sampling mode, and the precision test gas must pass through all filters, scrubbers, conditioners, and other components used during normal ambient sampling.

The standards from which precision check test concentrations are obtained must be traceable to NIST-SRM. Those standards used for calibration or auditing may be used.

To perform a precision check during the instrument set up, the sources of zero air and sample gas and procedures should conform to those described in Section 9.2 for analyzers with no valve options or with an IZS valve option installed and Section 9.3.1 for analyzers with Z/S options installed with the following exception:

- Connect the analyzer to a precision gas that has a CO concentration between 8.0 ppm and 10.0 ppm. If a precision check is made in conjunction with a zero/span check, it must be made prior to any zero or span adjustments.
- Record this value.

Information from the check procedure is used to assess the precision of the monitoring data; see CFR 40 CFR 58⁵ for procedures for calculating and reporting precision.

10.3. PRECISIONS CALIBRATION

Calibration must be performed with a calibrator that meets all conditions specified in QA Handbook¹ Vol II Part 1, App 15, Sec. 4.4 & 5.4. The user should be sure that all flow meters are calibrated under the conditions of use against a reliable standard. All volumetric flow rates should be corrected to 25°C (77°F) and 760 mm-Hg (29.92in-Hg). Make sure the calibration system can supply the range of the concentration at a sufficient flow over the whole range of concentration that will be encountered during calibration.

All operational adjustments to the T300 should be completed prior to the calibration. The following software features must be set into the desired state before calibration.

- If the instrument will be used for more than one range, it should be calibrated separately on each applicable range.
- Automatic temperature/pressure compensation should be enabled. See Section 5.7.
- Alternate units, make sure ppm units are selected for EPA monitoring. See Section 5.4.4.

The analyzer should be calibrated on the same range used for monitoring.

10.3.1. PRECISION CALIBRATION PROCEDURES

To perform a precision calibration during the instrument set up, the input sources of zero air and sample gas and procedures should conform to those described in Section 9.2 for analyzers with no valve options or with an IZS valve option installed and Section 9.3 for analyzers with Z/S options installed.

10.4. AUDITING PROCEDURE

An audit is an independent assessment of the accuracy of data. Independence is achieved by having the audit made by an operator other than the one conducting the routine field measurements and by using audit standards and equipment different from those routinely used in monitoring. The audit should be a true assessment of the measurement process under normal operations without any special preparation or adjustment of the system. Routine quality control checks conducted by the operator are necessary for obtaining and reporting good quality data, but they are not considered part of the auditing procedure. Audits are recommended once per quarter, but frequency may be determined by applicable regulations and end use of the data.

Refer to The Q.A. Handbook¹ Volume II, Part 1 Section 16 (for a more detailed description).

10.4.1. CALIBRATION AUDIT

A calibration audit consists of challenging the T300/T300M with known concentrations of CO. The difference between the known concentration and the analyzer response is obtained, and an estimate of the analyzer's accuracy is determined.

The recommended audit schedule depends on the purpose for which the monitoring data are being collected. For example, Appendix A, 40 CFR 58⁵ requires that each analyzer in State and Local Air Monitoring Network Plan (SLAMS) be audited at least once a

year. Each agency must audit 25% of the reference or equivalent analyzers each quarter. If an agency operates less than four reference or equivalent analyzers, it must randomly select analyzers for reauditing so that one analyzer will be audited each calendar quarter and each analyzer will be audited at least once a year.

Appendix B, 40 CFR 58⁵ requires that each Prevention of Significant Deterioration (PSD) reference or equivalent analyzer be audited at least once a sampling quarter. Results of these audits are used to estimate the accuracy of ambient air data.

10.4.2. DATA REDUCTION AUDIT

A data reduction audit involves transcribing analyzer data and determining if the collected data is within the control limits, generally ± 2 ppm between the analyzer response and the audit value. The resulting values are recorded on the SAROAD form. If data exceeds ± 2 ppm, check all of the remaining data in the 2-week period.

10.4.3. SYSTEM AUDIT/VALIDATION

A system audit is an on-site inspection and review of the quality assurance activities used for the total measurement system (sample collection, sample analysis, data processing, etc.); it is an appraisal of system quality.

Conduct a system audit at the startup of a new monitoring system and periodically (as appropriate) as significant changes in system operations occur.

10.5. DYNAMIC MULTIPOINT CALIBRATION PROCEDURE

10.5.1. LINEARITY TEST

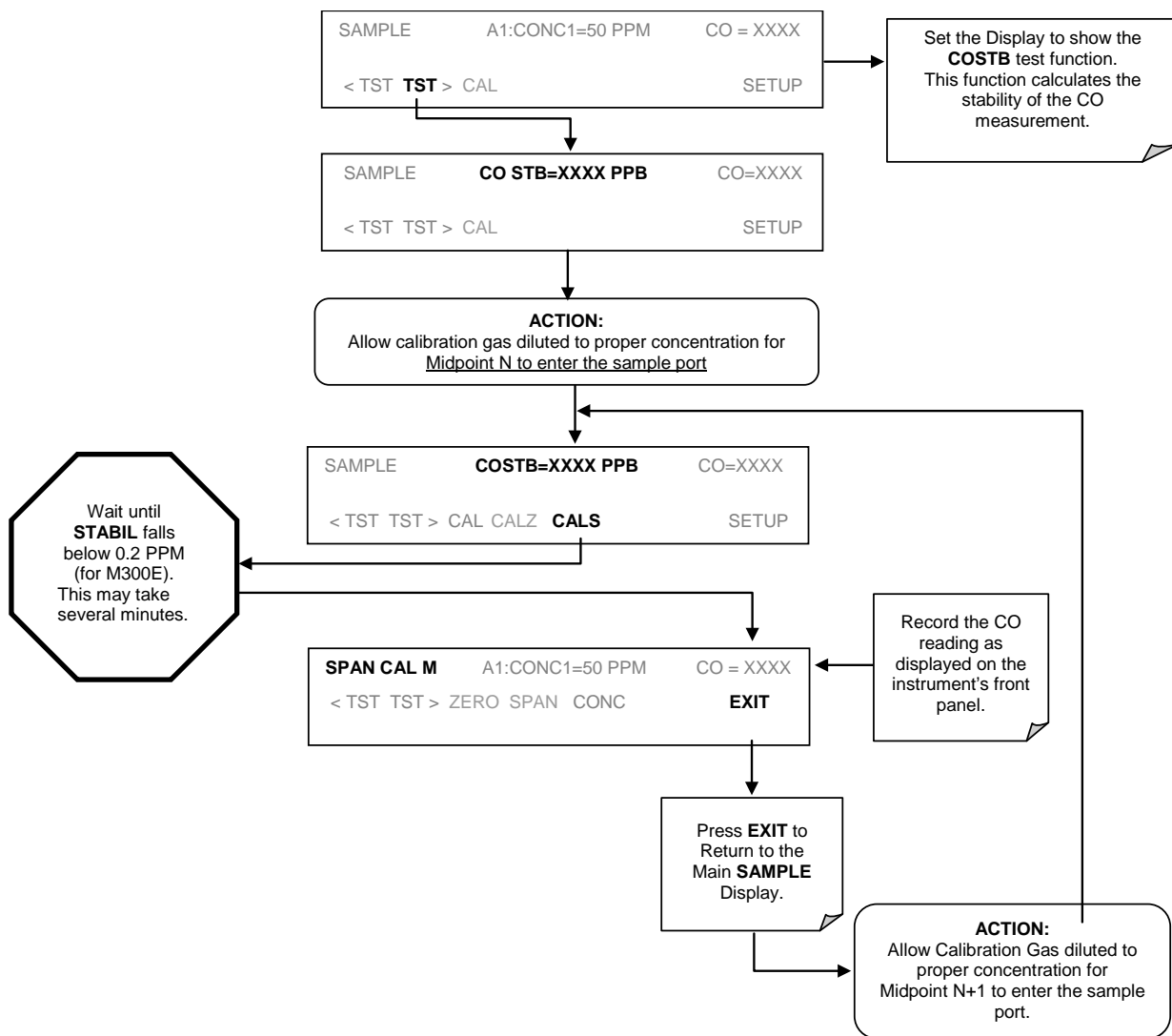
In order to record the instrument's performance at a predetermined sensitivity and to derive a calibration relationship, a minimum of three reference points and one zero point uniformly spaced covering 0 to 90 percent of the operating range are recommended to define this relationship.

The analyzer's recorded response is compared with the known concentration to derive the calibration relationship.

To perform a precision check during the instrument set up, the sources of zero air and sample gas should conform to those described in Section 9.1.1.3.

Follow the procedures described in Section 9.3 for calibrating the zero points.

For each mid point:



Plot the analyzer responses versus the corresponding calculated concentrations to obtain a calibration relationship. Determine the best-fit straight line ($y = mx + b$) determined by the method of least squares.

After the best-fit line has been drawn, determine whether the analyzer response is linear. To be considered linear, no calibration point should differ from the best-fit line by more than $\pm 2\%$ of full scale.

If carried out carefully, the checks described in this section will provide reasonable confidence that the T300 is operating properly. Checks should be carried out at least every 3 months as the possibility of malfunction is always present.

If the linearity error is excessive and cannot be attributed to outside causes, check the T300 system for:

- Sample pressure higher than ambient – pressurized sample gas
- Leaks
- Correct flow
- Miscalibrated span gas tanks or bad zero gas
- Miscalibrated sample pressure transducer
- Failed IR detector, GFC Wheel or Sync/Demod Board
- Contaminated optical bench or sample lines

10.6. REFERENCES

- ¹ Quality Assurance Handbook for Air Pollution Measurement Systems Volume II: Part 1 - Ambient Air Quality Monitoring Program Quality System Development - EPA-454/R-98-004 - August 1998. United States Environmental Protection Agency - Office of Air Quality Planning and Standards
- ² CFR Title 40: Protection of Environment - PART 53—AMBIENT AIR MONITORING REFERENCE AND EQUIVALENT METHODS:
 - 53.20 General provisions.
 - 53.23 Test procedures.
- ³ CFR Title 40: Protection of Environment - PART 50—NATIONAL PRIMARY AND SECONDARY AMBIENT AIR QUALITY STANDARDS: Appendix C to Part 50— Measurement Principle and Calibration Procedure for the Measurement of Carbon Monoxide in the Atmosphere (Non-Dispersive Infrared Photometry)
- ⁴ Quality Assurance Handbook for Air Pollution Measurement Systems - Volume II, Ambient Air Specific Methods, EPA-600/4-77-027a, 1977.
- ⁵ CFR Title 40: Protection of Environment - AMBIENT AIR QUALITY SURVEILLANCE

PART III
TECHNICAL INFORMATION

11. MAINTENANCE SCHEDULE & PROCEDURES

Predictive diagnostic functions, including data acquisition records, failure warnings and test functions built into the analyzer, allow the user to determine when repairs are necessary without performing painstaking preventative maintenance procedures. There are, however, a minimal number of simple procedures that when performed regularly will ensure that the analyzer continues to operate accurately and reliably over its lifetime. Repairs and troubleshooting are covered in Section 12 of this manual.

11.1. MAINTENANCE SCHEDULE

Table 11-1 shows a typical maintenance schedule for the analyzer. Please note that in certain environments (i.e. extreme dust, very high ambient pollutant levels) some maintenance procedures may need to be performed more often than shown.

Note

A Span and Zero Calibration Check (see CAL CHECK REQ'D Column of Table 10 1) must be performed following certain of the maintenance procedure listed below.

See Sections 8.3 and 8.4 for instructions on performing checks.



**CAUTION
GENERAL SAFETY HAZARD**

Risk of electrical shock. Disconnect power before performing any of the following operations that require entry into the interior of the analyzer.



**CAUTION
QUALIFIED PERSONNEL**

The operations outlined in this section are to be performed by qualified maintenance personnel only.

This page intentionally left blank.

Table 11-1: T300/T300M Maintenance Schedule

ITEM	ACTION	FREQ	CAL CHECK REQ'D	MANUAL	DATE PERFORMED										
Particulate Filter	Replace	Weekly or As Needed	No												
Verify Test Functions	Record and Analyze	Weekly or after any Maintenance or Repair	No												
Pump Diaphragm	Replace	Annually	Yes												
Perform Flow Check	Check Flow	Annually	No												
Perform Leak Check	Verify Leak Tight	Annually or after any Maintenance or Repair	No												
Pneumatic lines	Examine and Clean	As Needed	Yes if cleaned												
Cleaning	Clean	As Needed	Only if cover removed												

Table 11-2: T300/T300M Test Function Record

FUNCTION	OPERATING MODE*	DATE RECORDED											
STABILITY	ZERO CAL												
CO MEAS	ZERO CAL												
MR RATIO	ZERO CAL												
	SPAN CAL												
PRES	SAMPLE												
PHT DRIVE	SAMPLE AFTER WARM- UP												
SLOPE	SPAN CAL												
OFFSET	ZERO CAL												

11.2. PREDICTING FAILURES USING THE TEST FUNCTIONS

The Test Functions can be used to predict failures by looking at how their values change over time. Initially it may be useful to compare the state of these Test Functions to the values recorded on the printed record of the final calibration performed on your instrument at the factory, P/N 04307. Table 11-3 can be used as a basis for taking action as these values change with time. The internal data acquisition system (DAS) is a convenient way to record and track these changes. Use APICOM to download and review this data from a remote location.

Table 11-3: Predictive uses for Test Functions

FUNCTION	CONDITION	BEHAVIOR	INTERPRETATION
STABILITY	Zero Cal	Increasing	<ul style="list-style-type: none"> • Pneumatic Leaks – instrument & sample system • Detector deteriorating
CO MEAS	Zero Cal	Decreasing	<ul style="list-style-type: none"> • Source Aging • Detector deteriorating • Optics getting dirty or contaminated
MR RATIO	Zero Cal	Increasing	<ul style="list-style-type: none"> • Source Aging • Detector deteriorating • Contaminated zero gas (H₂O)
		Decreasing	<ul style="list-style-type: none"> • Source Aging • Detector deteriorating • GFC Wheel Leaking • Pneumatic Leaks • Contaminated zero gas (CO)
	Span Cal	Increasing	<ul style="list-style-type: none"> • Source Aging • Pneumatic Leaks – instrument & sample system • Calibration system deteriorating • GFC Wheel Leaking
		Decreasing	<ul style="list-style-type: none"> • Source Aging • Calibration system deteriorating
PRES	Sample	Increasing > 1"	<ul style="list-style-type: none"> • Pneumatic Leak between sample inlet and Sample Cell • Change in sampling manifold
		Decreasing > 1"	<ul style="list-style-type: none"> • Dirty particulate filter • Pneumatic obstruction between sample inlet and Sample Cell • Obstruction in sampling manifold
PHT DRIVE	Any, but with Bench Temp at 48°C	Increasing	<ul style="list-style-type: none"> • Mechanical Connection between IR-Detector and Sample Cell deteriorating • IR-Photodetector deteriorating
OFFSET	Zero Cal	Increasing	• See <u>MR Ratio - Zero Cal Decreasing</u> above
		Decreasing	• See <u>MR Ratio - Zero Cal Increasing</u> above
SLOPE	Span Cal	Increasing	• See <u>MR Ratio - Span Cal Decreasing</u> above
		Decreasing	• See <u>MR Ratio – Span Cal Increasing</u> above

11.3. MAINTENANCE PROCEDURES

The following procedures are to be performed periodically as part of the standard maintenance of the T300.

11.3.1. REPLACING THE SAMPLE PARTICULATE FILTER

The particulate filter should be inspected often for signs of plugging or contamination. We recommend that the filter and the wetted surfaces of the filter housing are handled as little as possible when you change the filter. Do not touch any part of the housing, filter element, PTFE retaining ring, glass cover and the o-ring.

To change the filter:

1. Turn OFF the analyzer to prevent drawing debris into the instrument.
2. Open the T300 Analyzer's hinged front panel and unscrew the knurled retaining ring on the filter assembly.

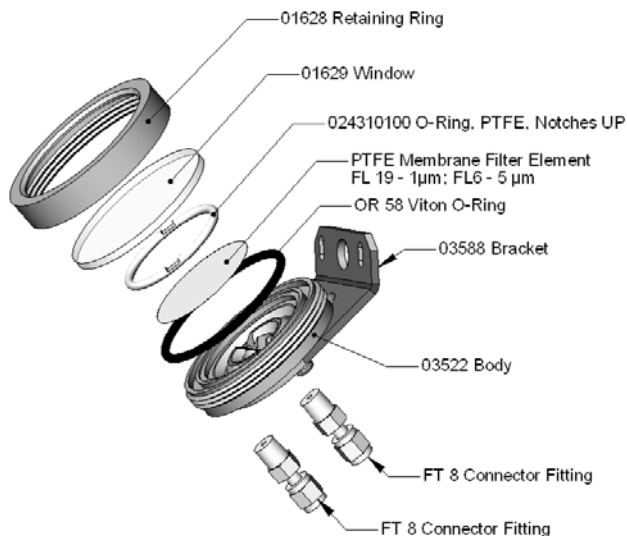


Figure 11-1: Sample Particulate Filter Assembly

3. Carefully remove the retaining ring, PTFE o-ring, glass filter cover and filter element.
4. Replace the filter, being careful that the element is fully seated and centered in the bottom of the holder.
5. Re-install the PTFE o-ring (with the notches up), the glass cover, then screw on the retaining ring and hand tighten. Inspect the seal between the edge of filter and the o-ring to assure a proper seal.
6. Re-start the Analyzer.

11.3.2. REBUILDING THE SAMPLE PUMP

The diaphragm in the sample pump periodically wears out and must be replaced. A sample rebuild kit is available – see label on the pump itself for the part number of the pump rebuild kit. Instructions and diagrams are included with the kit.

Always perform a flow and leak check after rebuilding the sample pump.

11.3.3. PERFORMING LEAK CHECKS

Leaks are the most common cause of analyzer malfunction; Section 11.3.3.1 presents a simple leak check procedure. Section 11.3.3.2 details a more thorough procedure.

11.3.3.1. VACUUM LEAK CHECK AND PUMP CHECK

This method is easy and fast. It detects, but does not locate most leaks. It also verifies that the sample pump is in good condition.

1. Turn the analyzer ON, and allow enough time for flows to stabilize.
2. Cap the sample inlet port.
3. After several minutes, when the pressure has stabilized, scroll through the **TEST** menu, note the SAMPLE PRESSURE reading.
4. If the reading is < 10 in-Hg, the pump is in good condition and there are no large leaks.
5. Check the sample gas flow. If the flow is <10 cm³/min and stable, there are no large leaks in the instrument's pneumatics.

11.3.3.2. PRESSURE LEAK CHECK

If you can't locate the leak by the above procedure, use the following procedure. Obtain a leak checker similar to the Teledyne ML P/N 01960, which contains a small pump, shut-off valve and pressure gauge. Alternatively, a convenient source of low-pressure gas is a tank of span gas, with the two-stage regulator adjusted to less than 15 psi with a shutoff valve and pressure gauge.



CAUTION
GENERAL SAFETY HAZARD

Do not use bubble solution with vacuum applied to the analyzer. The solution may contaminate the instrument. Do not exceed 15 PSIG pressure.

1. Turn OFF power to the instrument.
2. Install a leak checker or tank of gas as described above on the sample inlet at the rear panel.
3. Remove the instrument cover and locate the inlet side of the sample pump. Remove the flow assembly from the pump and plug it with the appropriate gas-tight fitting.
4. Pressurize the instrument with the leak checker, allowing enough time to fully pressurize the instrument through the critical flow orifice. Check each fitting with soap bubble solution, looking for bubbles. Once the fittings have been wetted with soap solution, do not re-apply vacuum, as it will suck soap solution into the instrument and contaminate it. Do not exceed 15 psi pressure.

5. If the instrument has one of the zero and span valve options, the normally closed ports on each valve should also be separately checked. Connect the leak checker to the normally closed ports and check with soap bubble solution.
6. Once the leak has been located and repaired, the leak-down rate should be < 1 in-Hg (0.4 psi) in 5 minutes after the pressure is shut off.

11.3.4. PERFORMING A SAMPLE FLOW CHECK



CAUTION GENERAL SAFETY HAZARD

Always use a separate calibrated flow meter capable of measuring flows in the 0 – 1000 cm³/min range to measure the gas flow rate through the analyzer.

DO NOT use the built in flow measurement viewable from the Front Panel of the instrument. This measurement is only for detecting major flow interruptions such as clogged or plugged gas lines.

See Figure 3-4 for SAMPLE port location.

1. Attach the Flow Meter to the sample inlet port on the rear panel. Ensure that the inlet to the Flow Meter is at atmospheric pressure.
 2. Sample flow should be 800 cm³/min ± 10%.
 3. Once an accurate measurement has been recorded by the method described above, adjust the analyzer's internal flow sensors (See Section 9.6.3).
- Low flows indicate blockage somewhere in the pneumatic pathway, typically a plugged sintered filter or critical flow orifice in one of the analyzer's flow control assemblies. High flows indicate leaks downstream of the Flow Control Assembly.

11.3.5. CLEANING THE OPTICAL BENCH

The T300/T300M sensor assembly and optical bench are complex and delicate. Disassembly and cleaning is not recommended. Please check with the factory before disassembling the optical bench.

11.3.6. CLEANING EXTERIOR SURFACES OF THE T300/T300M

If necessary, the exterior surfaces of the T300/T300M can be cleaned with a clean damp cloth. Do NOT submerge any part of the instrument and do NOT use any cleaning solution.

12. TROUBLESHOOTING AND SERVICE

This contains a variety of methods for identifying the source of performance problems with the analyzer. Also included in this are procedures that are used in repairing the instrument.



NOTE QUALIFIED PERSONNEL

The operations outlined in this section must be performed by qualified maintenance personnel only.



CAUTION GENERAL SAFETY HAZARD

- Risk of electrical shock. Some operations need to be carried out with the instrument open and running.
- Exercise caution to avoid electrical shocks and electrostatic or mechanical damage to the analyzer.
- Do not drop tools into the analyzer or leave those after your procedures.
- Do not shorten or touch electric connections with metallic tools while operating inside the analyzer.
- Use common sense when operating inside a running analyzer.

12.1. GENERAL TROUBLESHOOTING

The T300/T300M Carbon Monoxide Analyzer has been designed so that problems can be rapidly detected, evaluated and repaired. During operation, it continuously performs diagnostic tests and provides the ability to evaluate its key operating parameters without disturbing monitoring operations.

A systematic approach to troubleshooting will generally consist of the following five steps:

1. Note any **WARNING MESSAGES** and take corrective action as necessary.
2. Examine the values of all TEST functions and compare them to factory values. Note any major deviations from the factory values and take corrective action.
3. Use the internal electronic status LEDs to determine whether the electronic communication channels are operating properly.
 - Verify that the DC power supplies are operating properly by checking the voltage test points on the relay PCA.
 - Note that the analyzer's DC power wiring is color-coded and these colors match the color of the corresponding test points on the relay PCA.

4. SUSPECT A LEAK FIRST!

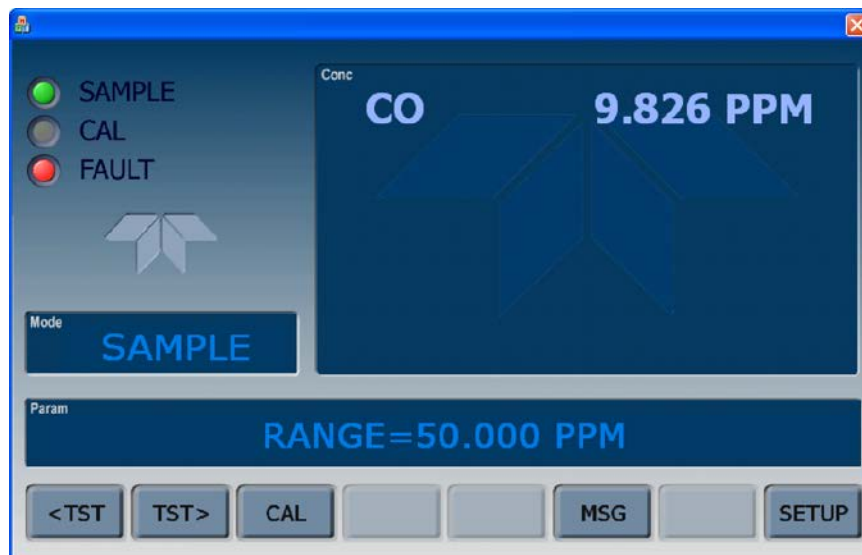
- Customer service data indicate that the majority of all problems are eventually traced to leaks in the internal pneumatics of the analyzer or the diluent gas and source gases delivery systems.
 - Check for gas flow problems such as clogged or blocked internal/external gas lines, damaged seals, punctured gas lines, a damaged / malfunctioning pumps, etc.
5. Follow the procedures defined in Section 12.5 to confirm that the analyzer's vital functions are working (power supplies, CPU, relay PCA, touchscreen, PMT cooler, etc.).
- See Figure 3-6 for the general layout of components and sub-assemblies in the analyzer.
 - See the wiring interconnect diagram and interconnect list in Appendix D.

12.1.1. FAULT DIAGNOSIS WITH WARNING MESSAGES

The most common and/or serious instrument failures will result in a warning message being displayed on the front panel. Table 12-1 lists warning messages, along with their meaning and recommended corrective action.

It should be noted that if more than two or three warning messages occur at the same time, it is often an indication that some fundamental analyzer sub-system (power supply, relay board, motherboard) has failed rather than an indication of the specific failures referenced by the warnings. In this case, a combined-error analysis needs to be performed.

The analyzer will alert the user that a Warning message is active by flashing the FAULT LED, displaying the the Warning message in the Param field along with the **CLR** button (press to clear Warning message). The **MSG** button will be displayed if there is more than one active warning or if you are in the TEST menu and have not yet cleared the message. The following display/touchscreen examples provide an illustration of each:



The analyzer will also alert the user via the Serial I/O COM port(s).

To view or clear the various warning messages press:

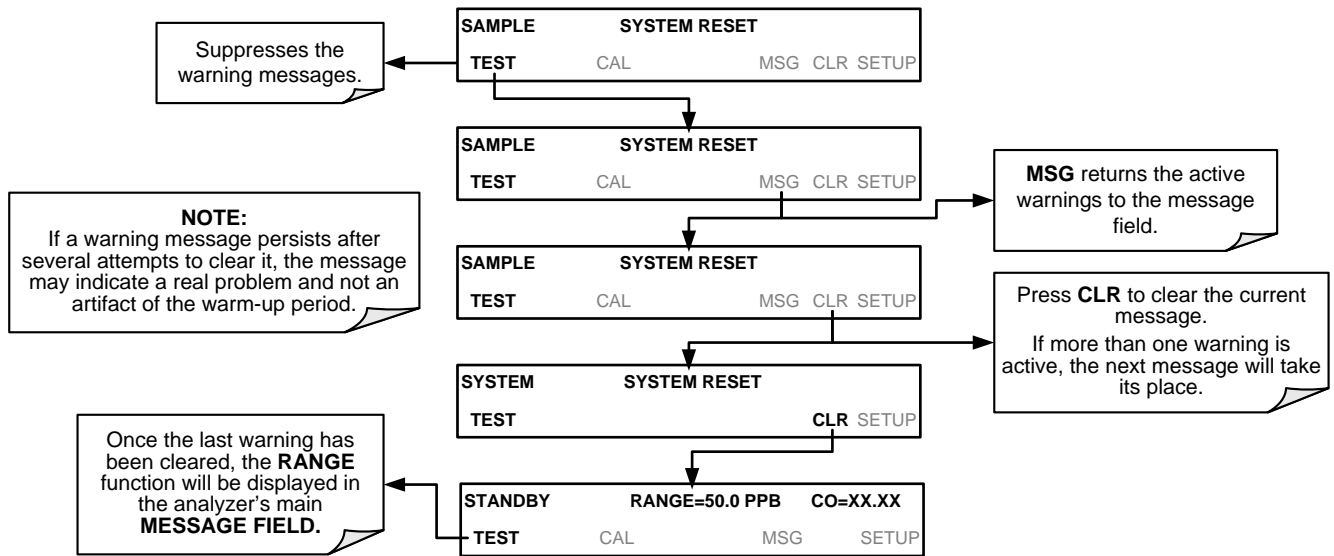


Figure 12-1: Viewing and Clearing Warning Messages

Table 12-1: Warning Messages - Indicated Failures

WARNING MESSAGE	FAULT CONDITION	POSSIBLE CAUSES
BENCH TEMP WARNING	The optical bench temp is controlled at 48 ± 2 °C.	Bad bench heater Bad bench temperature sensor Bad relay controlling the bench heater Entire relay board is malfunctioning I ² C bus malfunction
BOX TEMP WARNING	Box Temp is < 5 °C or > 48 °C.	NOTE: Box temperature typically runs ~7°C warmer than ambient temperature. Poor/blocked ventilation to the analyzer. Stopped exhaust-fan Ambient temperature outside of specified range
CANNOT DYN SPAN	Dynamic Span operation failed	Measured concentration value is too high or low. Concentration slope value to high or too low
CANNOT DYN ZERO	Dynamic Zero operation failed	Measured concentration value is too high. Concentration offset value to high.
CONFIG INITIALIZED	Configuration and Calibration data reset to original Factory state.	Failed disk on module User erased data
DATA INITIALIZED	Data Storage in DAS was erased	Failed disk on module User cleared data
PHOTO TEMP WARNING	PHT DRIVE is >4800 mVDC	Failed IR photo-detector Failed sync/demod board IR photo-detector improperly attached to the sample chamber Bench temp too high.
REAR BOARD NOT DET	Motherboard not detected on power up.	Warning only appears on serial I/O com port(s) Front panel display will be frozen, blank or will not respond. Massive failure of motherboard
RELAY BOARD WARN	The CPU cannot communicate with the Relay Board.	I ² C bus failure Failed relay board Loose connectors/wiring
SAMPLE FLOW WARN	Sample flow rate is < 500 cm ³ /min or > 1000 cm ³ /min.	Failed sample pump Blocked sample inlet/gas line Dirty particulate filter Leak downstream of critical flow orifice Failed flow sensor/circuitry
SAMPLE PRES WARN	Sample Pressure is <10 in-Hg or > 35 in-Hg Normally 29.92 in-Hg at sea level decreasing at 1 in-Hg per 1000 ft of altitude (with no flow – pump disconnected).	If sample pressure is < 10 in-hg: Blocked particulate filter Blocked sample inlet/gas line Failed pressure sensor/circuitry If sample pressure is > 35 in-hg: Pressurized sample gas. Install vent Blocked vent line on pressurized sample/zero/span gas supply Bad pressure sensor/circuitry

Table 13-1: Warning Messages – Indicated Failures (cont.)

WARNING MESSAGE	FAULT CONDITION	POSSIBLE CAUSES
SAMPLE TEMP WARN	Sample temperature is < 10°C or > 100°C.	Ambient temperature outside of specified range Failed bench heater Failed bench temperature sensor Relay controlling the bench heater Failed relay board I ² C bus
SOURCE WARNING	Occurs when CO Ref is <1250 mVDC or >4950 mVDC. Either of these conditions will result in an invalid M/R ratio.	GFC Wheel stopped Failed sync/demod board If status LEDs on the sync/demod board <u>ARE</u> flashing the cause is most likely a failed: IR source Relay board I ² C bus IR photo-detector
SYSTEM RESET	The computer has rebooted.	This message occurs at power on. If you have not cycled the power on your instrument: Failed +5 VDC power, Fatal error caused software to restart Loose connector/wiring
WHEEL TEMP WARNING	The filter wheel temperature is controlled at 68 ± 2 °C	Blocked cooling vents below GFC Assembly. Make sure that adequate clear space beneath the analyzer. Analyzer's top cover removed Wheel heater Wheel temperature sensor Relay controlling the wheel heater Entire relay board I ² C bus

12.1.2. FAULT DIAGNOSIS WITH TEST FUNCTIONS

Besides being useful as predictive diagnostic tools, the test functions viewable from the front panel can be used to isolate and identify many operational problems when combined with a thorough understanding of the analyzer’s Theory of Operation (see Section 13).

The acceptable ranges for these test functions are listed in the “Nominal Range” column of the analyzer *Final Test and Validation Data Sheet* (T300, P/N 04307 and T300M, P/N 04311) shipped with the instrument. Values outside these acceptable ranges indicate a failure of one or more of the analyzer’s subsystems. Functions whose values are still within the acceptable range but have significantly changed from the measurement recorded on the factory data sheet may also indicate a failure.

Note

A worksheet has been provided in Appendix C to assist in recording the value of these test functions. This worksheet also includes expected values for the various test functions.

The following table contains some of the more common causes for these values to be out of range.

Table 12-2: Test Functions - Indicated Failures

TEST FUNCTIONS (As Displayed)	INDICATED FAILURE(S)
TIME	Time of day clock is too fast or slow. To adjust, see Section 5.6. Battery in clock chip on CPU board may be dead.
RANGE	Incorrectly configured measurement range(s) could cause response problems with a Data logger or chart recorder attached to one of the analog output. If the Range selected is too small, the recording device will over range. If the Range is too big, the device will show minimal or no apparent change in readings.
STABIL	Indicates noise level of instrument or CO concentration of sample gas (see Section 12.4.2 for causes).
CO MEAS & CO REF	If the value displayed is too high the IR Source has become brighter. Adjust the variable gain potentiometer on the sync/demod board (see Section 12.5.7.1). If the value displayed is too low or constantly changing and the CO REF is OK: <ul style="list-style-type: none"> • Failed multiplexer on the motherboard • Failed sync/demod board • Loose connector or wiring on sync/demod board • If the value displayed is too low or constantly changing and the CO REF is bad: • GFC Wheel stopped or rotation is too slow • Failed sync/demod board IR source • Failed IR source • Failed relay board • Failed I²C bus • Failed IR photo-detector
MR Ratio	When the analyzer is sampling zero air and the ratio is too low: <ul style="list-style-type: none"> • The reference cell of the GFC Wheel is contaminated or leaking. • The alignment between the GFC Wheel and the segment sensor, the M/R sensor or both is incorrect. • Failed sync/demod board When the analyzer is sampling zero air and the ratio is too high: <ul style="list-style-type: none"> • Zero air is contaminated • Failed IR photo-detector
PRES	See Table 12-1 for SAMPLE PRES WARN.
SAMPLE FL	Check for gas flow problems (see Section 12.2).
SAMP TEMP	SAMPLE TEMP should be close to BENCH TEMP. Temperatures outside of the specified range or oscillating temperatures are cause for concern.
BENCH TEMP	Bench temp control improves instrument noise, stability and drift. Temperatures outside of the specified range or oscillating temperatures are cause for concern. Table 12-1 for BENCH TEMP WARNING.
WHEEL TEMP	Wheel temp control improves instrument noise, stability and drift. Outside of set point or oscillating temperatures are causes for concern. See Table 12-1 for WHEEL TEMP WARNING.
BOX TEMP	If the box temperature is out of range, check fan in the power supply module. Areas to the side and rear of instrument should allow adequate ventilation. See Table 12-1 for BOX TEMP WARNING.
PHT DRIVE	If this drive voltage is out of range it may indicate one of several problems: <ul style="list-style-type: none"> • A poor mechanical connection between the photodetector, its associated mounting hardware and the absorption cell housing; • An electronic failure of the IR Photo-Detector's built-in cooling circuitry, or; • A temperature problem inside the analyzer chassis. In this case other temperature warnings would also be active such as BENCH TEMP WARNING or BOX TEMP WARNING.

TEST FUNCTIONS (As Displayed)	INDICATED FAILURE(S)
SLOPE	Values outside range indicate Contamination of the zero air or span gas supply Instrument is Miscalibrated Blocked gas flow Contaminated or leaking GFC Wheel (either chamber) Faulty IR photo-detector Faulty sample faulty IR photo-detector pressure sensor (P1) or circuitry Invalid M/R ratio (see above) Bad/incorrect span gas concentration due.
OFFSET	Values outside range indicate Contamination of the zero air supply Contaminated or leaking GFC Wheel (either chamber) Faulty IR photo-detector

12.1.3. THE DIAGNOSTIC SIGNAL I/O FUNCTION

The signal I/O diagnostic mode allows access to the digital and analog I/O in the analyzer. Some of the digital signals can be controlled through the touchscreen. These signals, combined with a thorough understanding of the instruments Theory of Operation (found in Section 13), are useful for troubleshooting in three ways:

- The technician can view the raw, unprocessed signal level of the analyzer's critical inputs and outputs.
- Many of the components and functions that are normally under algorithmic control of the CPU can be manually exercised.
- The technician can directly control the signal level Analog and Digital Output signals. This allows the technician to observe systematically the effect of directly controlling these signals on the operation of the analyzer. The following flowchart shows an example of how to use the Signal I/O menu to view the raw voltage of an input signal or to control the state of an output voltage or control signal. (See also Sections 5.9.1 and 12.5.8.1).

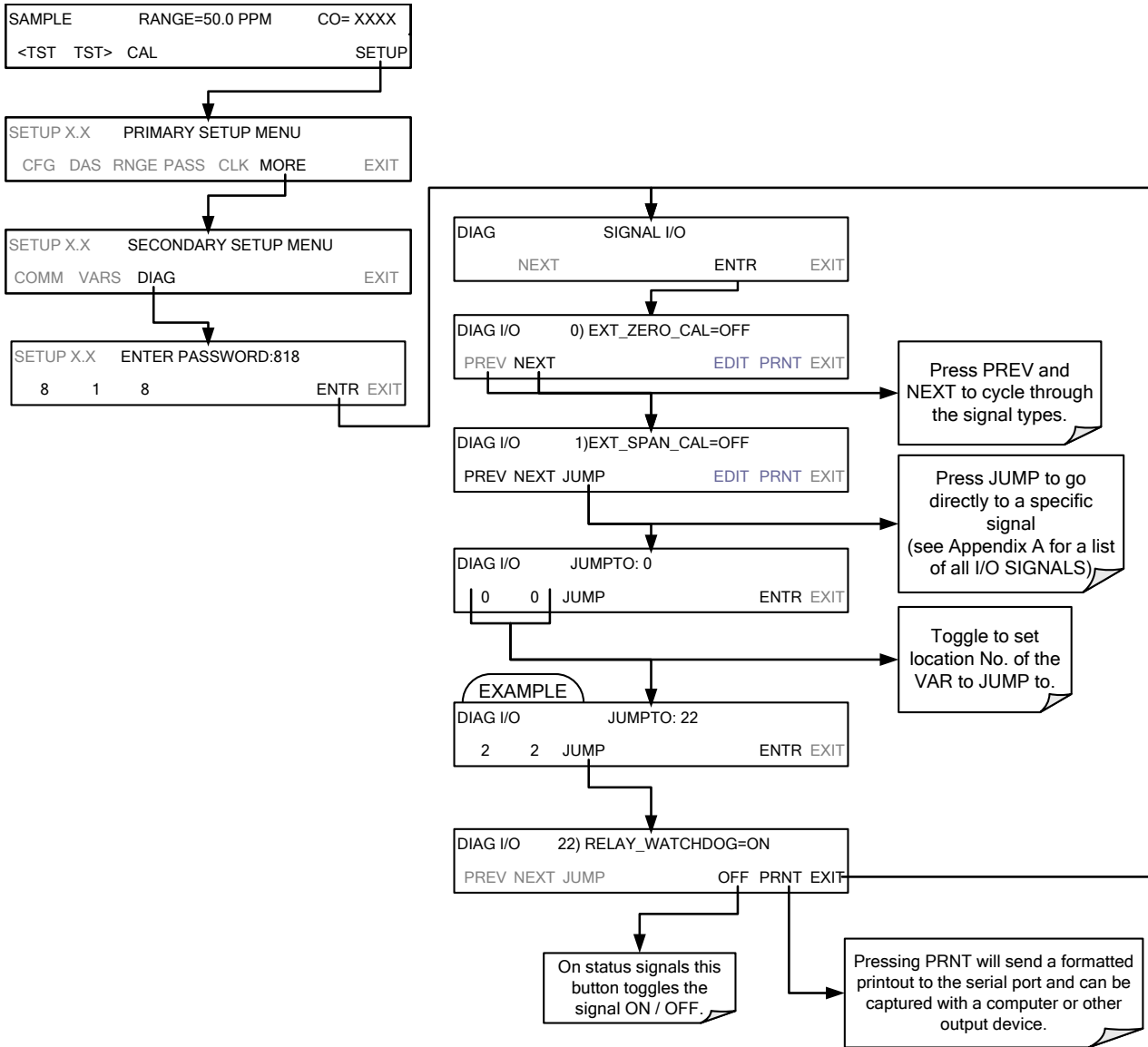


Figure 12-2: Example of Signal I/O Function

Note

Any I/O signals changed while in the signal I/O menu will remain in effect ONLY until signal I/O menu is exited. The Analyzer regains control of these signals upon exit. See Appendix A-4 for a complete list of the parameters available for review under this menu.

12.1.4. STATUS LEDS

Several color-coded light-emitting diodes (LEDs) are located inside the instrument to assist in determining if the analyzer's CPU, I²C bus and relay board, GFC Wheel and the sync/demodulator board are functioning properly.

12.1.4.1. MOTHERBOARD STATUS INDICATOR (WATCHDOG)

DS5, a red LED, that is located on upper portion of the motherboard, just to the right of the CPU board, flashes when the CPU is running the main program loop. After power-up, approximately 30 to 60 seconds, DS5 should flash on and off. If characters are written to the front panel display but DS5 does not flash then the program files have become corrupted. If after 30 – 60 seconds neither the DS5 is flashing or no characters have been written to the front panel display then the CPU is bad and must be replaced.

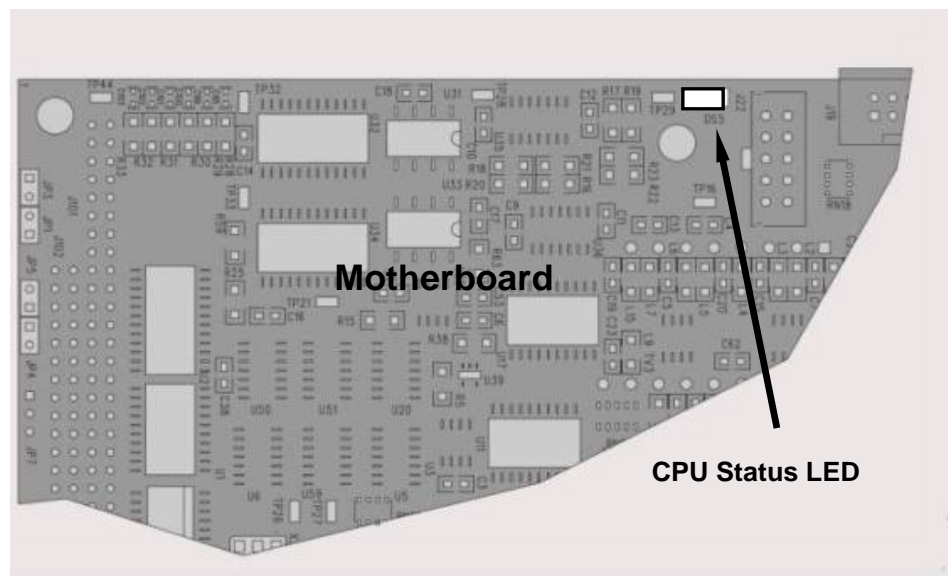


Figure 12-3: CPU Status Indicator

12.1.4.2. SYNC DEMODULATOR STATUS LEDS

Two LEDs located on the Sync/Demod Board and are there to make it obvious that the GFC Wheel is spinning and the synchronization signals are present:

Table 12-3: Sync/Demod Board Status Failure Indications

LED	FUNCTION	FAULT STATUS	INDICATED FAILURE(S)
D1	M/R Sensor Status (Flashes slowly)	LED is stuck ON or OFF	GFC Wheel is not turning M/R Sensor on Opto-Pickup Board failed Sync/Demod Board failed JP 4 Connector/Wiring faulty Failed/Faulty +5 VDC Power Supply (PS1)
D2	Segment Sensor Status (Flashes quickly)	LED is stuck ON or OFF	GFC Wheel is not turning Segment Sensor on Opto-Pickup Board failed Sync/Demod Board failed JP 4 Connector/Wiring faulty Failed/Faulty +5 VDC Power Supply (PS1)

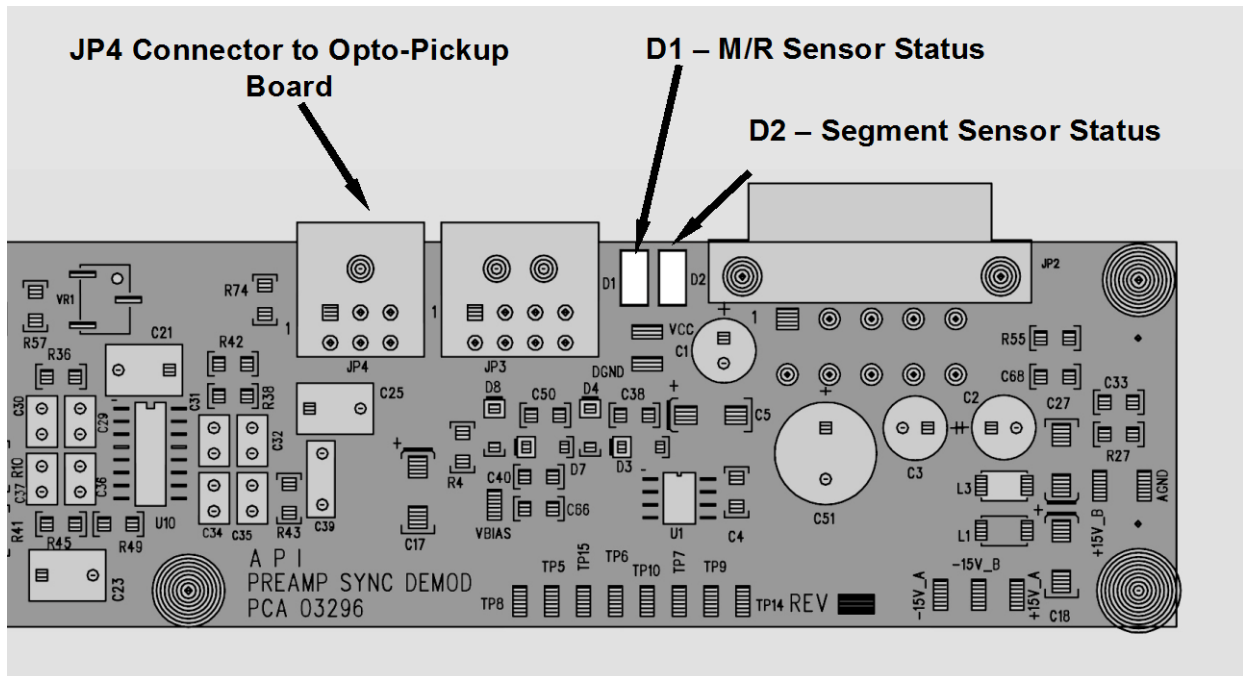


Figure 12-4: Sync/Demod Board Status LED Locations

12.1.4.3. RELAY BOARD STATUS LEDs

There are eight LEDs located on the Relay Board. The most important of which is D1, which indicates the health of the I²C bus. If D1 is blinking the other faults following LEDs can be used in conjunction with **DIAG** menu signal I/O to identify hardware failures of the relays and switches on the relay (see Section 12.1.3 and Appendix D).

Table 12-4: I²C Status LED Failure Indications

LED	FUNCTION	FAULT STATUS	INDICATED FAILURE(S)
D1 (Red)	I ² C bus Health (Watch Dog Circuit)	Continuously ON or Continuously OFF	Failed/Halted CPU Faulty Motherboard, Touchscreen or Relay Board Faulty Connectors/Wiring between Motherboard, Touchscreen or Relay Board Failed/Faulty +5 VDC Power Supply (PS1)

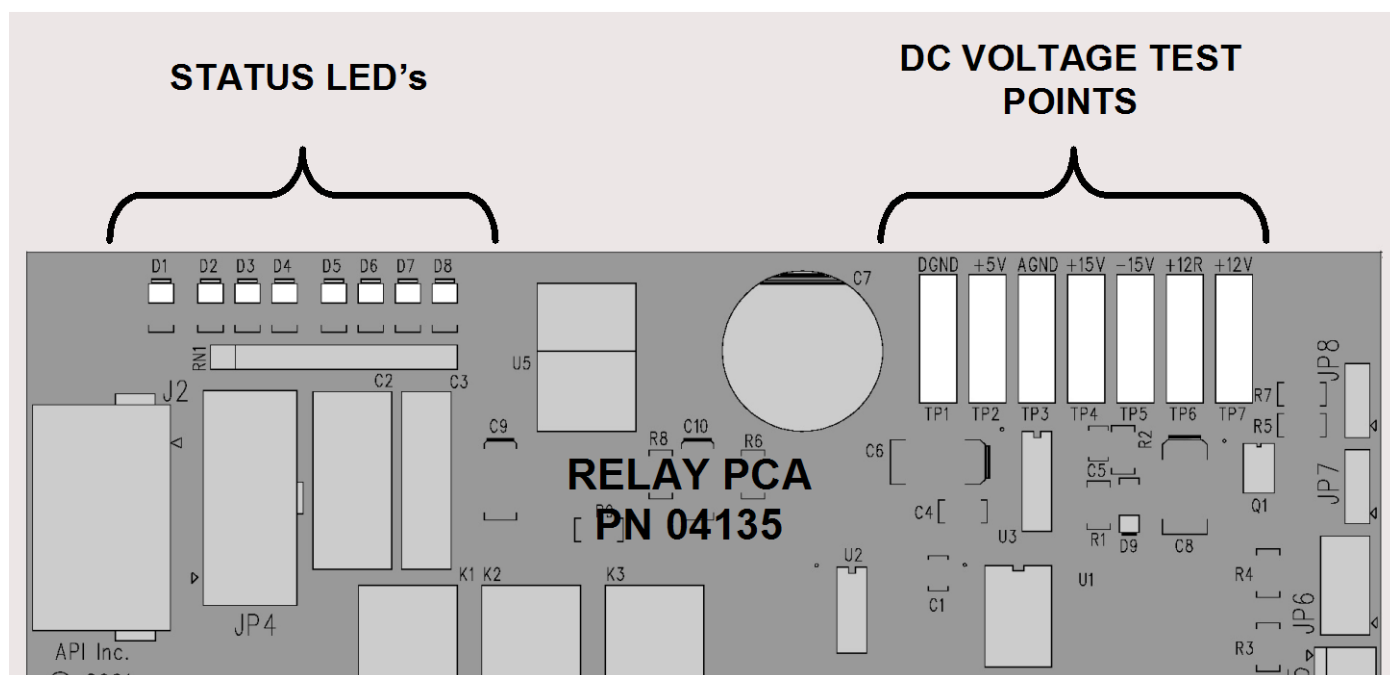


Figure 12-5: Relay Board Status LEDs

Table 12-5: Relay Board Status LED Failure Indications

LED	FUNCTION	SIGNAL I/O PARAMETER		DIAGNOSTIC TECHNIQUE
		ACTIVATED BY	VIEW RESULT	
D2 Yellow	Wheel Heater	WHEEL_HEATER	WHEEL_TEMP	Voltage displayed should change. If not: Failed Heater Faulty Temperature Sensor Failed AC Relay Faulty Connectors/Wiring
D3 Yellow	Bench Heater	BENCH_HEATER	BENCH_TEMP	Voltage displayed should change. If not: Failed Heater Faulty Temperature Sensor Failed AC Relay Faulty Connectors/Wiring
D4 Yellow	Spare	N/A	N/A	N/A
D5 Green	Sample/Cal Gas Valve Option	CAL_VALVE	N/A	Sample/Cal Valve should audibly change states. If not: Failed Valve Failed Relay Drive IC on Relay Board Failed Relay Board Faulty +12 VDC Supply (PS2) Faulty Connectors/Wiring
D6 Green	Zero/Span Gas Valve Option	SPAN_VALVE	N/A	Zero/Span Valve should audibly change states. If not: Failed Valve Failed Relay Drive IC on Relay Board Failed Relay Board Faulty +12 VDC Supply (PS2) Faulty Connectors/Wiring
D7 Green	Shutoff Valve Option	SHUTOFF_VALVE	N/A	Shutoff Valve should audibly change states. If not: Failed Valve Failed Relay Drive IC on Relay Board Failed Relay Board Faulty +12 VDC Supply (PS2) Faulty Connectors/Wiring
D8 Green	IR SOURCE	IR_SOURCE	CO_MEASURE	Voltage displayed should change. If not: Failed IR Source Faulty +12 VDC Supply (PS2) Failed Relay Board Failed IR Photo-Detector Failed Sync/Demod Board Faulty Connectors/Wiring

12.2. GAS FLOW PROBLEMS

When troubleshooting flow problems, it is a good idea to first confirm that the actual flow and not the analyzer's flow sensor and software are in error, or the flow meter is in error. Use an independent flow meter to perform a flow check as described in Section 11.3.4. If this test shows the flow to be correct, check the pressure sensors as described in Section 12.5.7.6.

The T300/T300M has one main gas flow path. With the IZS or zero/span valve option installed, there are several subsidiary paths but none of those are displayed on the front panel or stored by the DAS.

With the O₂ sensor option installed, third gas flow controlled with a critical flow orifice is added, but this flow is not measured or reported.

In general, flow problems can be divided into three categories:

1. Flow is too high
2. Flow is greater than zero, but is too low, and/or unstable
3. Flow is zero (no flow)

When troubleshooting flow problems, it is crucial to confirm the actual flow rate without relying on the analyzer's flow display. The use of an independent, external flow meter to perform a flow check as described in Section 11.3.4 is essential.

The flow diagrams found in a variety of locations within this manual depicting the T300/T300M in its standard configuration and with options installed can help in troubleshooting flow problems. For your convenience they are collected here.

12.2.1. T300/T300M INTERNAL GAS FLOW DIAGRAMS

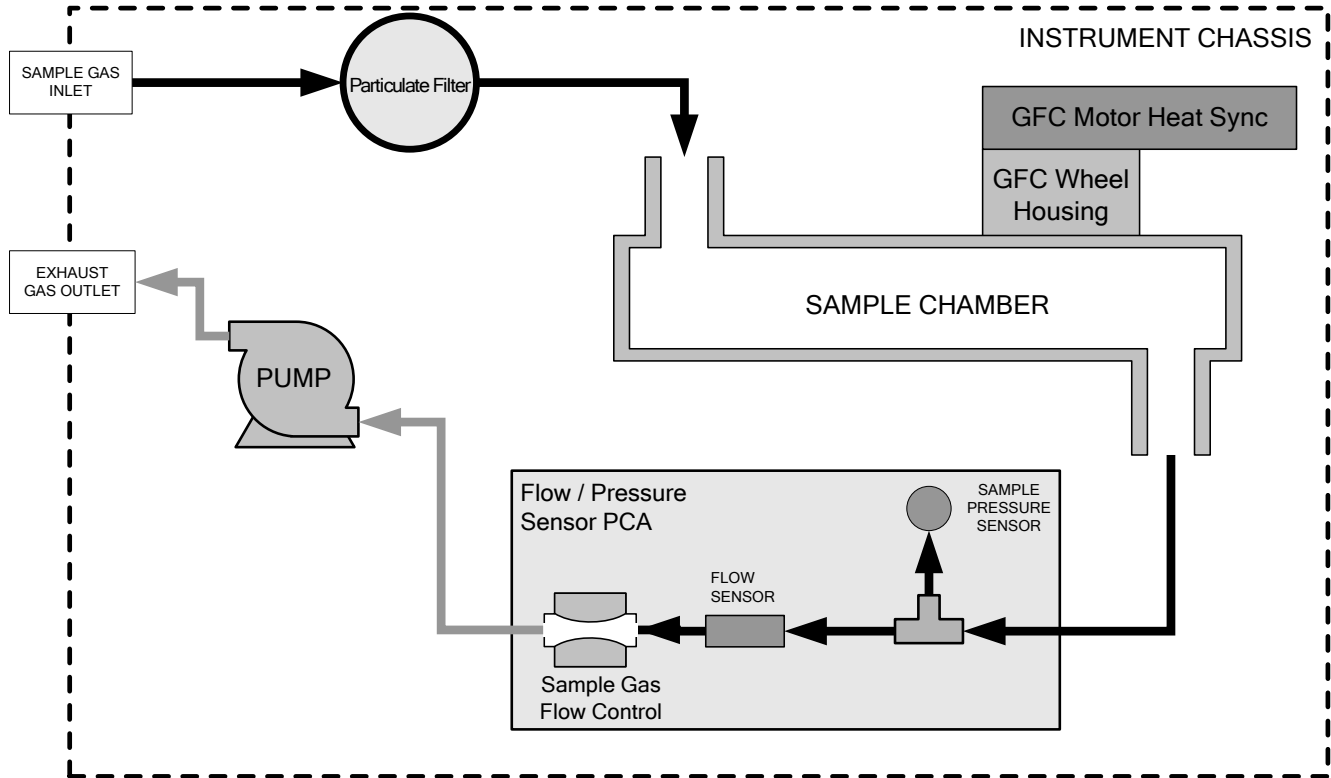


Figure 12-6: T300/T300M – Basic Internal Gas Flow

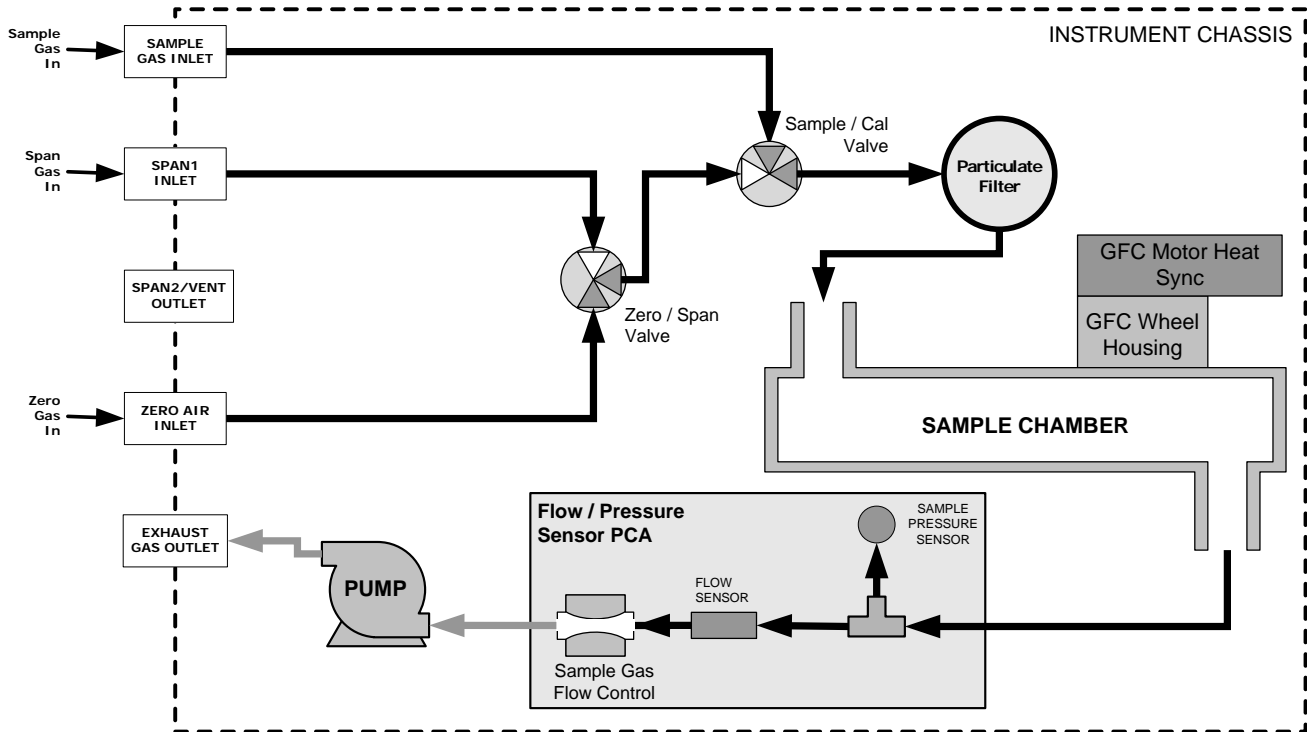


Figure 12-7: Internal Pneumatic Flow OPT 50A – Zero/Span Valves (OPT 50A & 50B)

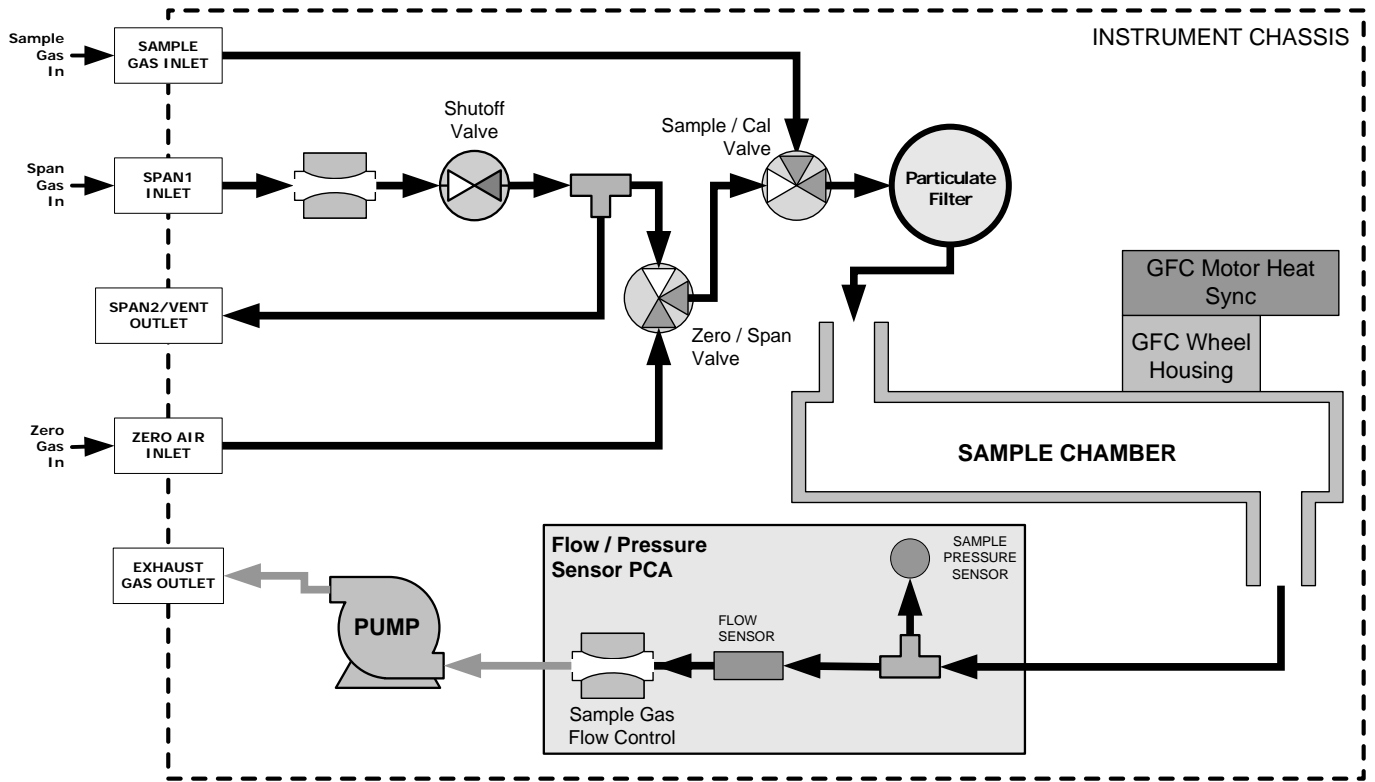


Figure 12-8: Internal Pneumatic Flow OPT 50B – Zero/Span/Shutoff Valves

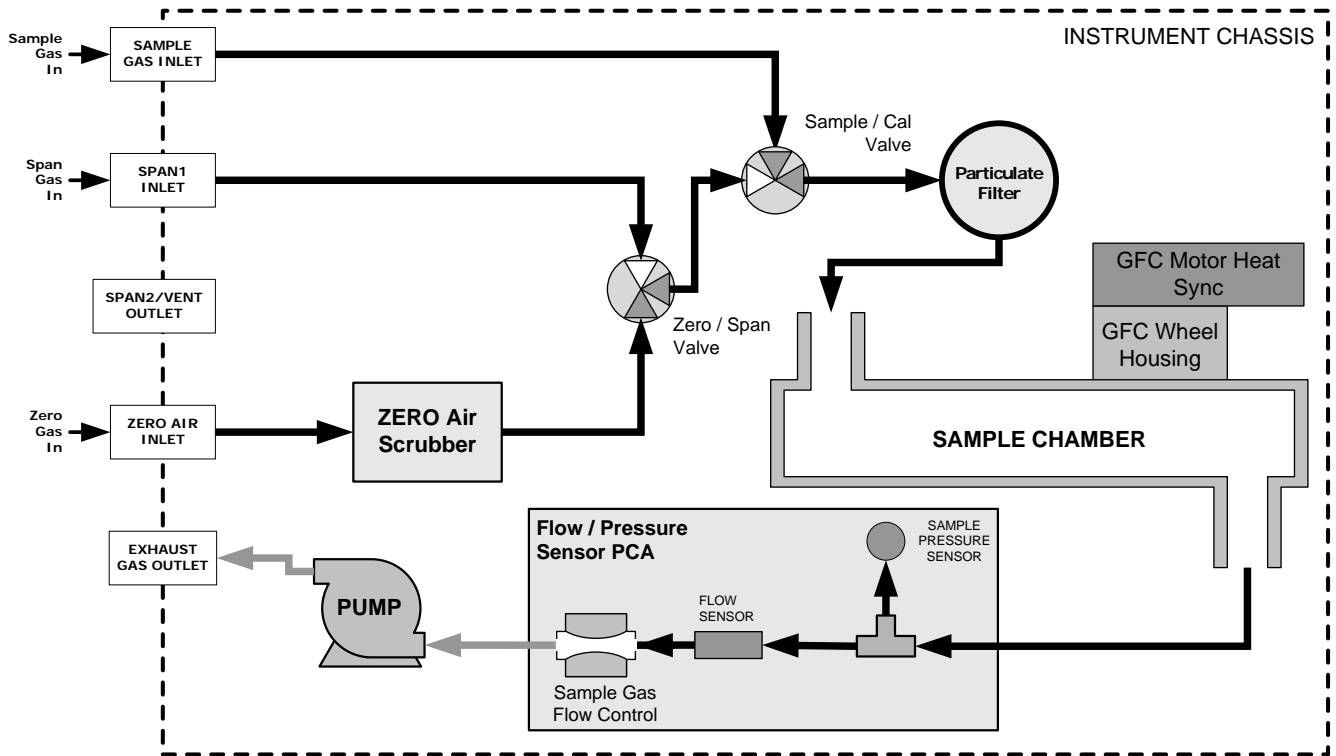


Figure 12-9: Internal Pneumatic Flow OPT 50H – Zero/Span Valves with Internal Zero Air Scrubber

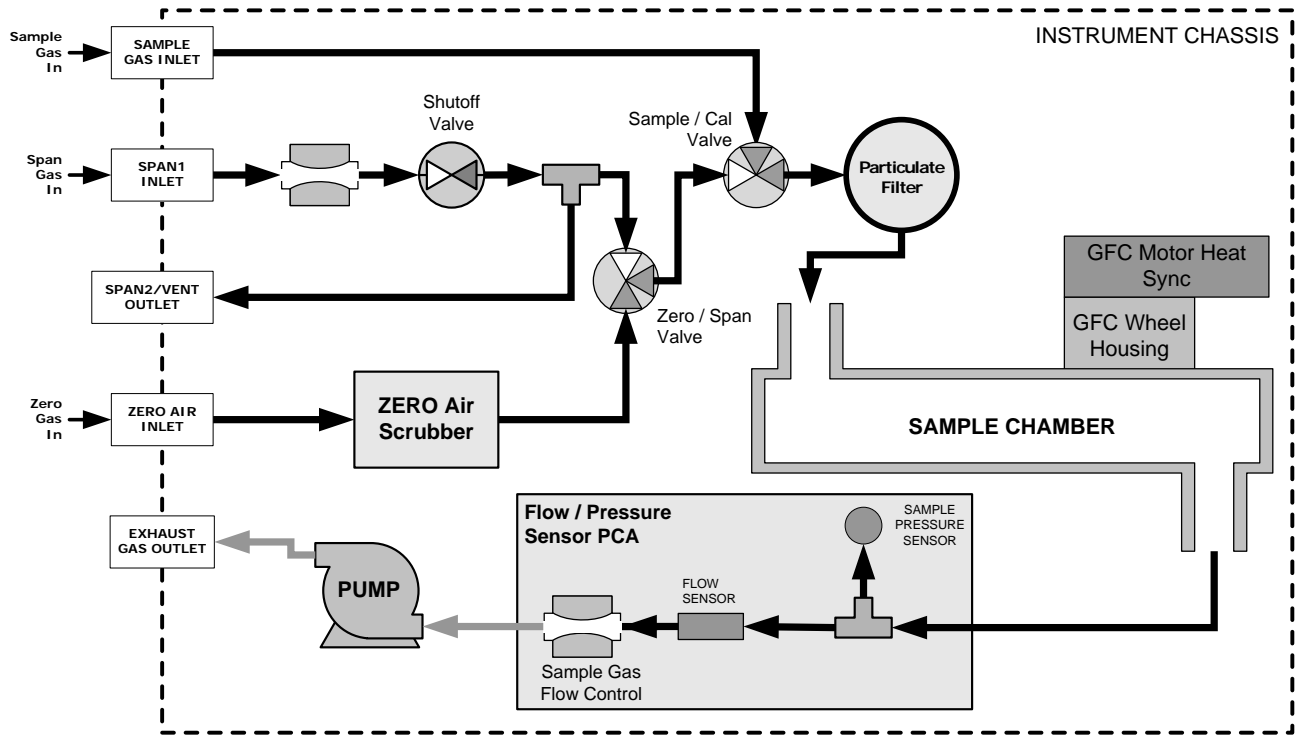


Figure 12-10: Internal Pneumatic Flow OPT 50E – Zero/Span/Shutoff w/ Internal Zero Air Scrubber

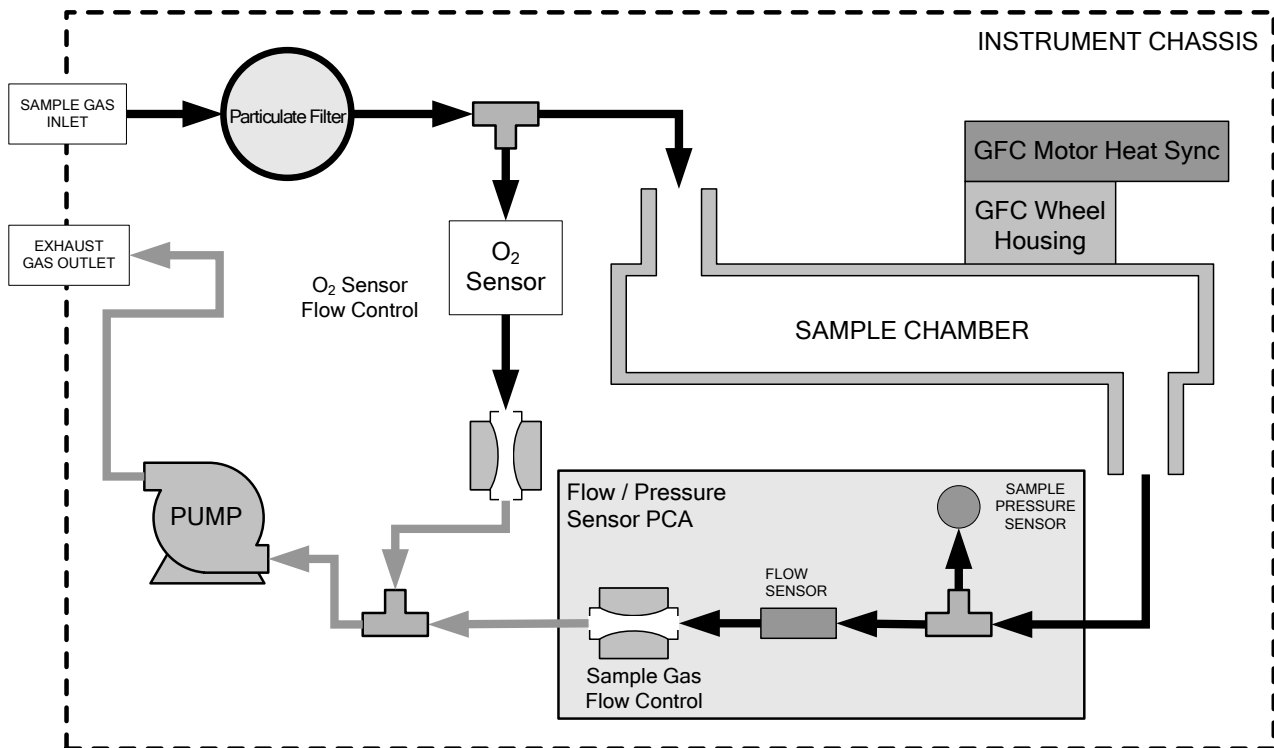


Figure 12-11: T300/T300M – Internal Pneumatics with O₂ Sensor Option 65A

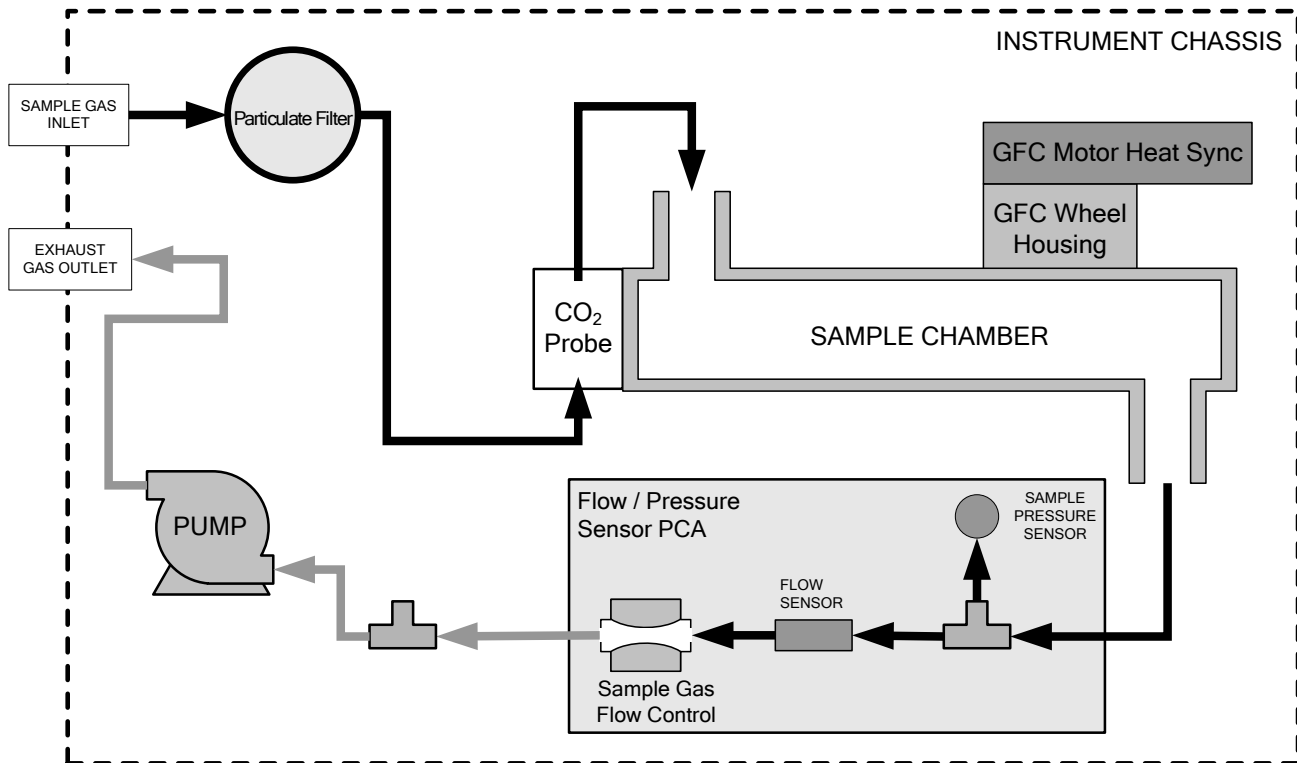


Figure 12-12: T300/T300M – Internal Pneumatics with CO₂ Sensor Option 67A

12.2.2. TYPICAL SAMPLE GAS FLOW PROBLEMS

12.2.2.1. FLOW IS ZERO

The unit displays a **SAMPLE FLOW** warning message on the front panel display or the **SAMPLE FLOW** test function reports a zero or very low flow rate.

Confirm that the sample pump is operating (turning). If not, use an AC voltmeter to make sure that power is being supplied to the pump if no power is present at the electrical leads of the pump.

1. If AC power is being supplied to the pump, but it is not turning, replace the pump.
2. If the pump is operating but the unit reports no gas flow, perform a flow check as described in Section 11.3.4.
3. If no independent flow meter is available:
 - Disconnect the gas lines from both the sample inlet and the exhaust outlet on the rear panel of the instrument.
 - Make sure that the unit is in basic **SAMPLE Mode**.
 - Place a finger over an Exhaust outlet on the rear panel of the instrument.
 - If gas is flowing through the analyzer, you will feel pulses of air being expelled from the Exhaust outlet.

4. If gas flows through the instrument when it is disconnected from its sources of zero air, span gas or sample gas, the flow problem is most likely not internal to the analyzer. Check to make sure that:
 - All calibrators/generators are turned on and working correctly.
 - Gas bottles are not empty or low.
 - Valves, regulators and gas lines are not clogged or dirty.

12.2.2.2. LOW FLOW

1. Check if the pump diaphragm is in good condition. If not, rebuild the pump (see Section 11.3.2). Check the spare parts list for information on rebuild kits.
2. Check for leaks as described in Section 11.3.3. Repair the leaking fitting, line or valve and re-check.
3. Check for the sample filter and the orifice filter for dirt. Replace filters (see 11.3.1).
4. Check for partially plugged pneumatic lines, or valves. Clean or replace them.
5. Check for plugged or dirty critical flow orifices. Replace them.
6. If an IZS option is installed in the instrument, press CALZ and CALS. If the flow increases then suspect a bad sample/cal valve.

12.2.2.3. HIGH FLOW

The most common cause of high flow is a leak in the sample flow control assembly or between there and the pump. If no leaks or loose connections are found in the fittings or the gas line between the orifice and the pump, replace the critical flow orifice(s) inside the sample flow control assembly.

12.2.2.4. DISPLAYED FLOW = “WARNINGS”

This warning means that there is inadequate gas flow. There are four conditions that might cause this:

1. A leak upstream or downstream of the flow sensor
2. A flow obstruction upstream or downstream of the flow sensor
3. Bad Flow Sensor Board
4. Bad pump

To determine which case is causing the flow problem, view the sample pressure and sample flow functions on the front panel. If the sample pressure is reading abnormally low, then the cause is likely a flow obstruction upstream of the flow sensor. First, check the sample filter and make sure it is not plugged and then systematically check all the other components upstream of the orifice to ensure that they are not obstructed.

If the sample pressure is reading normal but the sample flow is reading low then it is likely that the pump diaphragm is worn or there is an obstruction downstream of the flow sensor.

12.2.2.5. ACTUAL FLOW DOES NOT MATCH DISPLAYED FLOW

If the actual flow measured does not match the displayed flow, but is within the limits of 720-880 cm³/min, adjust the calibration of the flow measurement as described in Section 11.3.4.

12.2.2.6. SAMPLE PUMP

The sample pump should start immediately after the front panel power switch is turned ON. With the sample inlet plugged, the test function PRES should read less than 10 in-Hg for a pump that is in good condition. The pump needs rebuilding if the reading is above 10 in-Hg. If the test function SAMP FL is greater than 10 cm³/min there is a leak in the pneumatic lines.

12.3. CALIBRATION PROBLEMS

12.3.1. MISCALIBRATED

There are several symptoms that can be caused by the analyzer being miscalibrated. This condition is indicated by out of range Slopes and Offsets as displayed through the test functions and is frequently caused by the following:

1. Bad span gas. This can cause a large error in the slope and a small error in the offset. Delivered from the factory, the T300 Analyzer's slope is within $\pm 15\%$ of nominal. Bad span gas will cause the analyzer to be calibrated to the wrong value. If in doubt have the span gas checked by an independent lab.
2. Contaminated zero gas. Excess H₂O can cause a positive or negative offset and will indirectly affect the slope.
3. Dilution calibrator not set up correctly or is malfunctioning. This will also cause the slope, but not the zero, to be incorrect. Again the analyzer is being calibrated to the wrong value.

4. Too many analyzers on the manifold. This can cause either a slope or offset error because ambient gas with its pollutants will dilute the zero or span gas.

12.3.2. NON-REPEATABLE ZERO AND SPAN

As stated earlier, leaks both in the T300/T300M and in the external system are a common source of unstable and non-repeatable readings.

1. Check for leaks in the pneumatic systems as described in Section 11.3.3. Don't forget to consider pneumatic components in the gas delivery system outside the T300/T300M such as:
 - A change in zero air source such as ambient air leaking into zero air line, or;
 - A change in the span gas concentration due to zero air or ambient air leaking into the span gas line.
2. Once the instrument passes a leak check, perform a flow check (see Section 11.3.4) to make sure adequate sample is being delivered to the sensor assembly.
3. A failing IR photo-detector may be at fault. Check the **CO MEAS** and **CO REF** test functions via the front panel display to make sure the signal levels are in the normal range (See Appendix A) and are quiet.
4. Confirm the sample pressure, wheel temperature, bench temperature, and sample flow readings are correct and have steady readings.
5. Disconnect the exhaust line from the optical bench near the rear of the instrument and plug this line into the SAMPLE inlet creating a pneumatic loop. The CO concentration (either zero or span) now must be constant. If readings become quiet, the problem is in the external pneumatics supplies for sample gas, span gas or zero air.
6. If pressurized span gas is being used with a zero/span valve option, make sure that the venting is adequate.

12.3.3. INABILITY TO SPAN – NO SPAN BUTTON (CAL5)

1. Confirm that the carbon monoxide span gas source is accurate; this can be done by switching between two span-gas tanks. If the CO concentration is different, there is a problem with one of the tanks.
2. Check for leaks in the pneumatic systems as described in Section 11.3.3.
3. Make sure that the expected span gas concentration entered into the instrument during calibration is the correct span gas concentration and not too different from expected span value. This can be viewed via the CONC submenu of the Sample Displays.
4. Check to make sure that there is no ambient air or zero air leaking into span gas line.

12.3.4. INABILITY TO ZERO – NO ZERO BUTTON (CALZ)

1. Confirm that there is a good source of zero air. Dilute a tank of span gas with the same amount of zero air from two different sources. If the CO Concentration of the two measurements is different, there is a problem with one of the sources of zero air.
2. Check for leaks in the pneumatic systems as described in 11.3.3.
3. If the analyzer has had zero/span valve options, the CO scrubber may need maintenance.
4. Check to make sure that there is no ambient air leaking into zero air line.

12.4. OTHER PERFORMANCE PROBLEMS

Dynamic problems (i.e. problems which only manifest themselves when the analyzer is monitoring sample gas) can be the most difficult and time consuming to isolate and resolve. The following provides an itemized list of the most common dynamic problems with recommended troubleshooting checks and corrective actions.

12.4.1. TEMPERATURE PROBLEMS

Individual control loops are used to maintain the set point of the absorption bench, filter wheel and IR photo-detector temperatures. If any of these temperatures are out of range or are poorly controlled, the T300/T300M will perform poorly.

12.4.1.1. BOX OR SAMPLE TEMPERATURE

BOX TEMPERATURE

The box temperature sensor is mounted to the motherboard and cannot be disconnected to check its resistance. Rather check the **BOX TEMP** signal using the **SIGNAL I/O** function under the **DIAG** Menu (See Section 5.9.1). This parameter will vary with ambient temperature, but at $\sim 30^{\circ}\text{C}$ ($6\text{-}7^{\circ}$ above room temperature) the signal should be ~ 1450 mV.

SAMPLE TEMPERATURE

The sample temperature should closely track the bench temperature. If it does not, locate the sensor, which is located at the midpoint of the optical bench in a brass fitting. Unplug the connector labeled “Sample”, and measure the resistance of the thermistor; at room temperature (25°C) it should be $\sim 30\text{K}$ Ohms, at operating temperature, 48°C , it should be $\sim 12\text{K}$ Ohms

12.4.1.2. BENCH TEMPERATURE

There are three possible failures that could cause the bench temperature to be incorrect.

1. The heater mounted to the bottom of the Absorption bench is electrically shorted or open.
 - Check the resistance of the two heater elements by measuring between pin 2 and 4 (~ 76 Ohms), and pin 3 and 4 (~ 330 Ohms), of the white five-pin connector just below the sample temperature sensor on the Bench (pin 1 is the pointed end).
2. Assuming that the I^2C bus is working and that there is no other failure on the relay board; the solid-state relay (K2) on the relay board may have failed.
 - Using the **BENCH_HEATER** parameter under the signal I/O function, as described above, turn on and off K2 (D3 on the relay board should illuminate as the heater is turned on).
 - Check the AC voltage present between pin 2 and 4, for a 100 or 115 VAC model, and pins 3 and 4, for a 220-240 VAC model.



WARNING - ELECTRICAL SHOCK HAZARD
Hazardous Voltages are present during this test.

3. If the relay has failed there should be no change in the voltage across pins 2 and 4 or 3 and 4. Note: K2 is in a socket for easy replacement.
4. If K2 checks out OK, the thermistor temperature sensor located on the optical bench near the front of the instrument could be at fault.
 - Unplug the connector labeled “Bench”, and measure the resistance of the thermistor.
 - At room temperature it should have approximately 30K Ohms resistance; near the 48°C set point it should have ~12K ohms.

12.4.1.3. GFC WHEEL TEMPERATURE

Like the bench heater above there are three possible causes for the GFC Wheel temperature to have failed.

1. The wheel heater has failed.
 - Check the resistance between pins 1 and 4 on the white five-pin connector just below the sample temperature sensor on the bench (pin 1 is the pointed end).
 - It should be approximately 275 ohms.
2. Assuming that the I²C bus is working and that there is no other failure with the relay board; the solid-state relay (K1) on the relay board may have failed.
 - Using the **WHEEL_HEATER** parameter under the signal I/O function, as described above, turn on and off K1 (D2 on the relay board should illuminate as the heater is turned on).
 - Check the AC voltage present between pin 1 and 4.



WARNING - ELECTRICAL SHOCK HAZARD
Hazardous Voltages are present during this test.

3. If the relay has failed there should be no change in the voltage across pins 1 and 4.
 - K1 is socketed for easy replacement.
4. If K1 checks out OK, the thermistor temperature sensor located at the front of the filter wheel assembly may have failed.
5. Unplug the connector labeled “Wheel”, and measure the resistance of the thermistor. The resistance near the 68°C set point is ~5.7k ohms.

12.4.1.4. IR PHOTO-DETECTOR TEC TEMPERATURE

If the PHT DRIVE test parameter described in Table 11-3 is out of range there are four possible causes of failure.

1. The screws retaining the IR photo detector to the absorption bench have become loose.
 - Carefully tighten the screws, hand-tight and note whether, after the analyzer has come up to operating temperature, whether the **PHT DRIVE** voltage has returned to an acceptable level.
2. The two large transistor-type devices mounted to the side of the Absorption Bench have come loose from the bench.
 - Tighten the retaining screws and note whether there is an improvement in the **PHT DRIVE** voltage.
3. The photo-detector has failed. Contact the factory for instructions.
4. The sync demodulator circuit board has failed. Contact the factor for instructions.

12.4.2. EXCESSIVE NOISE

Noise is continuously monitored in the **TEST** functions as the **STABIL** reading and only becomes meaningful after sampling a constant gas concentration for at least 10 minutes. Compare the current **STABIL** reading with that recorded at the time of manufacture (included in the T300/T300M *Final Test and Validation Data Sheet*, P/N 04271 shipped with the unit from Teledyne ML).

1. The most common cause of excessive noise is leaks. Leak check and flow check the instrument described in Section 11.3.3 and 11.3.4.
2. Detector failure – caused by failure of the hermetic seal or over-temperature due to poor heat sinking of the detector can to the optical bench.
 - In addition to increased noise due to poor signal-to-noise ratio, another indicator of detector failure is a drop in the signal levels of the **CO MEASURE** signal and **CO REFERENCE** signal.
3. Sync/Demod Board failure. There are many delicate, high impedance parts on this board. Check the **CO MEAS** and **CO REF** Test Functions via the Front Panel Display.
4. The detector cooler control circuit can fail for reasons similar to the detector itself failing. Symptoms would be a change in **MR RATIO** Test Function when zero air is being sampled.
5. Also check the SIGNAL I/O parameter **PHT DRIVE**.
 - After warm-up, and at 25°C ambient, if **PHT DRIVE** < 4800 mV, the cooler is working properly.
 - If **PHT DRIVE** is > 4800 mV there is a malfunction.
6. The +5 and ±15 VDC voltages in the T300/T300M are provided by switching power supplies.

- Switch mode supplies create DC outputs by switching the input AC waveform at high frequencies.
- As the components in the switcher age and degrade, the main problem observed is increased noise on the DC outputs.
- If a noisy switcher power supply is suspected, attach an oscilloscope to the DC output test points located on the top right hand edge of the Relay board.
- Look for short period spikes > 100 mV p-p on the DC output

12.5. SUBSYSTEM CHECKOUT

The preceding subsections discussed a variety of methods for identifying possible sources of failures or performance problems within the analyzer. In most cases this included a list of possible causes. If the problem is not resolved at this point, the next step is to check the subsystems. This subsection describes how to determine whether an individual component or subsystem is the cause of the problem being investigated.

12.5.1. AC MAINS CONFIGURATION

The analyzer is correctly configured for the AC mains voltage in use if:

- The Sample Pump is running.
- The GFC Wheel motor is spinning. LEDs D1 & D2 (located on the sync/demod PCA) should be flashing.
- If incorrect power is suspected, check that the correct voltage and frequency is present at the line input on the rear panel.

Note

-
- **If the unit is set for 230 VAC and is plugged into 115VAC, or 100VAC the sample pump will not start, and the heaters will not come up to temperature.**
 - **If the unit is set for 115 or 100 VAC and is plugged into a 230 VAC circuit, the circuit breaker built into the ON/OFF Switch on the Front Panel will trip to the OFF position immediately after power is switched on.**
-

12.5.2. DC POWER SUPPLY

If you have determined that the analyzer's AC mains power is working, but the unit is still not operating properly, there may be a problem with one of the instrument's switching power supplies. The supplies can have two faults, namely no DC output, and noisy output.

To assist tracing DC Power Supply problems, the wiring used to connect the various printed circuit assemblies and DC Powered components and the associated test points on the relay board follow a standard color-coding scheme as defined in the following table.

Table 12-6: DC Power Test Point and Wiring Color Codes

NAME	TEST POINT#	TP AND WIRE COLOR
Dgnd	1	Black
+5V	2	Red
Agnd	3	Green
+15V	4	Blue
-15V	5	Yellow
+12R	6	Purple
+12V	7	Orange

A voltmeter should be used to verify that the DC voltages are correct per the values in the table below, and an oscilloscope, in AC mode, with band limiting turned on, can be used to evaluate if the supplies are producing excessive noise (> 100 mV p-p).

Table 12-7: DC Power Supply Acceptable Levels

POWER SUPPLY ASSY	VOLTAGE	CHECK RELAY BOARD TEST POINTS				MIN V	MAX V
		FROM TEST POINT		TO TEST POINT			
		NAME	#	NAME	#		
PS1	+5	Dgnd	1	+5	2	4.8	5.25
PS1	+15	Agnd	3	+15	4	13.5	16V
PS1	-15	Agnd	3	-15V	5	-14V	-16V
PS1	Agnd	Agnd	3	Dgnd	1	-0.05	0.05
PS1	Chassis	Dgnd	1	Chassis	N/A	-0.05	0.05
PS2	+12	+12V Ret	6	+12V	7	11.75	12.5
PS2	Dgnd	+12V Ret	6	Dgnd	1	-0.05	0.05

12.5.3. I²C BUS

Operation of the I²C bus can be verified by observing the behavior of D1 on the relay PCA. Assuming that the DC power supplies are operating properly, the I²C bus is operating properly if D1 on the relay PCA is flashing.

12.5.4. TOUCHSCREEN INTERFACE

Verify the functioning of the touchscreen by observing the display when pressing a touchscreen control button. Assuming that there are no wiring problems and that the DC power supplies are operating properly, if pressing a control button on the display does not change the display, any of the following may be the problem:

- The touchscreen controller may be malfunctioning.
- The internal USB bus may be malfunctioning.

You can verify this failure by logging on to the instrument using APICOM or a terminal program to any of the communications ports. If the analyzer responds to remote commands and the display changes accordingly, the touchscreen interface may be faulty.

12.5.5. LCD DISPLAY MODULE

Verify the functioning of the front panel display by observing it when power is applied to the instrument. Assuming that there are no wiring problems and that the DC power supplies are operating properly, the display screen should light and show the splash screen with logo and other indications of its state as the CPU goes through its initialization process.

12.5.6. RELAY BOARD

The relay board PCA (P/N 04135) can be most easily checked by observing the condition of the its status LEDs on the relay board, as described in Section 12.1.4.3, and the associated output when toggled on and off through signal I/O function in the diagnostic menu, see Section 12.1.3.

1. If the front panel display responds to button presses and D1 on the relay board is NOT flashing then either the wiring between the touchscreen and the relay board is bad, or the relay board is bad.
2. If D1 on the relay board is flashing and the status indicator for the output in question (heater power, valve drive, etc.) toggles properly using the signal I/O function, then the associated control device on the relay board is bad.
 - Several of the control devices are in sockets and can be easily replaced.
 - The table below lists the control device associated with a particular function:

Table 12-8: Relay Board Control Devices

FUNCTION	CONTROL DEVICE	IN SOCKET
Wheel Heater	K1	Yes
Bench Heater	K2	Yes
Spare AC Control	K3	Yes
IZS Valves	U4	Yes
IR Source Drive	U5	No

The IR source drive output can be verified by measuring the voltage at J16 with the IR source disconnected. It should be 11.5± 0.5 VDC.

12.5.7. SENSOR ASSEMBLY

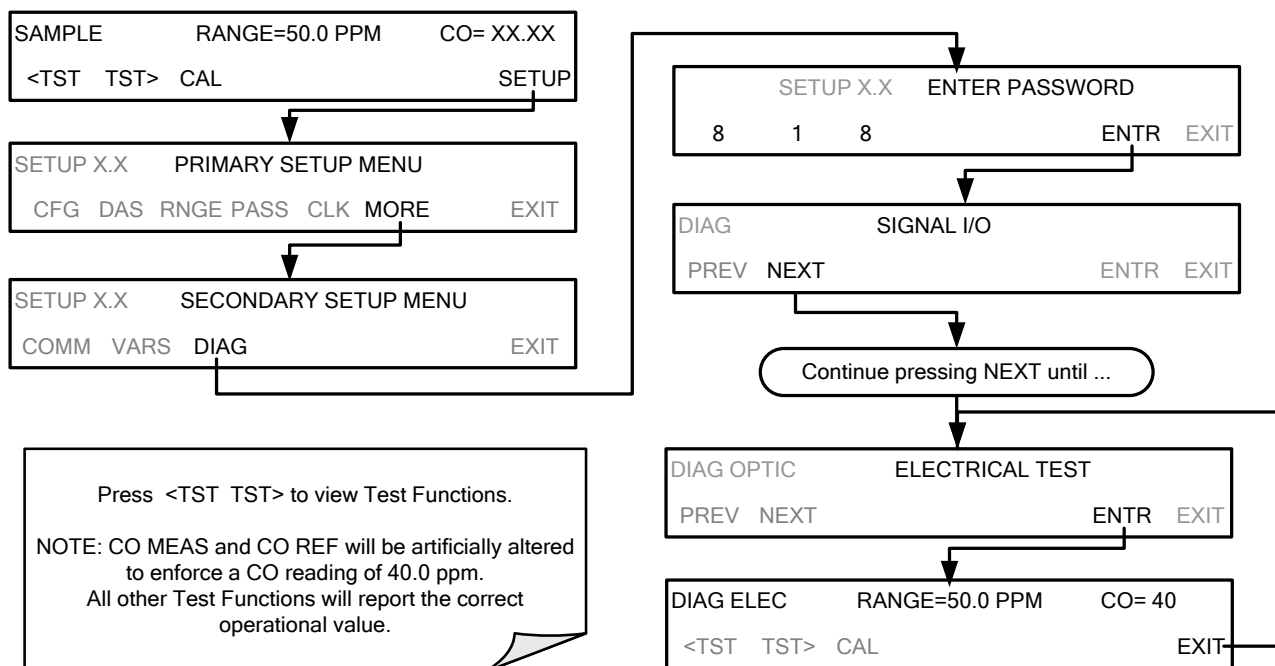
12.5.7.1. SYNC/DEMODULATOR ASSEMBLY

To verify that the Sync/Demodulator Assembly is working, follow the procedure below:

1. Verify that D1 and D2 are flashing.
 - If not, check the opto pickup assembly, Section 12.5.7.3 and the GFC Wheel drive, Section 12.5.7.4.
 - If the wheel drive and opto pickup are working properly then verify that there is 2.4 ± 0.1 VAC and 2.5 ± 0.15 VDC between digital ground and TP 5 on the sync/demod board. If not then check the wiring between the sync/demod and opto pickup assembly (see interconnect drawing, P/N 04216). If good then the sync/demod board is bad.
2. Verify that the IR source is operating, Section 12.5.7.5.
3. With the analyzer connected to zero air, measure between TP11 (measure) and analog ground, and TP12 (reference) and analog ground.
 - If they are similar to values recorded on the factory data sheet then there is likely a problem with the wiring or the A/D converter.
 - If they are not then either the sync demodulator board or the IR-photodetector are bad. See Section 12.4.1.4 for problems with the IR-photodetector TEC drive.

12.5.7.2. ELECTRICAL TEST

The electric test function substitutes simulated signals for CO MEAS and CO REF, generated by circuitry on the sync/demod board, for the output of the IR photo-detector. While in this mode the user can also view the same test functions viewable from the main **SAMPLE** display. When the test is running, the concentration reported on the front panel display should be 40.0 ppm. Also see Section 5.9.4.



12.5.7.3. OPTO PICKUP ASSEMBLY

Operation of the opto pickup PCA (P/N 04088) can be verified with a voltmeter. Measure the AC and DC voltage between digital ground on the relay board, or touchscreen and TP2 and TP4 on the sync pickup PCA. For a working board, with the GFC motor spinning, they should read 2.4 ± 0.1 VAC and 2.5 ± 0.15 VDC.

Further confirmation that the pickups and motor are operating properly can be obtained by measuring the frequency at TP2 and TP4 using a frequency counter, a digital voltmeter with a frequency counter, or an oscilloscope, per Table 12-9.

Table 12-9: Opto Pickup Board Nominal Output Frequencies

AC Mains Freq.	Nominal Measured Frequency	
	TP2	TP4
50 Hz	25	300
60 Hz	30	360

12.5.7.4. GFC WHEEL DRIVE

If the D1 and D2 on the sync demodulator board are not flashing then:

1. Check for power to the motor by measuring between pins 1 and 3 on the connector feeding the motor.
 - For instruments configured for 120 or 220-240VAC there should be approximately 88 VAC for instruments configured for 100VAC, it should be the voltage of the AC mains, approximately 100VAC.
2. Verify that the frequency select jumper, JP4, is properly set on the relay board.
 - For 50 Hz operation it should be installed.
 - For 60 Hz operation may either be missing or installed in a vertical orientation.
3. If there is power to the motor and the frequency select jumper is properly set then the motor is likely bad.
 - See Section 12.6.2 for instructions on removing and replacing the GFC assembly that the motor is bolted to.

12.5.7.5. IR SOURCE

The IR source can be checked using the following procedure:

1. Disconnect the source and check its resistance when cold.
 - When new, the source should have a cold resistance of more than 1.5 Ohms but less than 3.5 Ohms.
 - If not, then the source is bad.
2. With the source disconnected, energize the analyzer and wait for it to start operating.
 - Measure the drive Voltage between pins 1 and 2 on the jack that the source is normally connected to; it should be 11.5 ± 0.25 VDC.
 - If not, then the problem is with the wiring, the relay board, or the +12V power supply.
3. If the drive voltage is correct in step 2, then remove the source from the heat sink assembly (2 screws on top) and connect to its mating connector.
 - Observe the light being emitted from the source.
 - It should be centered at the bottom of the U-shaped element.
 - If there is either no emission or a badly centered emission, then the source is bad.

12.5.7.6. PRESSURE/FLOW SENSOR ASSEMBLY

The pressure/flow sensor PCA, located on the top of the absorption bench, can be checked with a voltmeter using the following procedure which, assumes that the wiring is intact, and that the motherboard and the power supplies are operating properly:

1. For Pressure related problems:

- Measure the voltage across C1 - it should be 5 ± 0.25 VDC.

If not, then the board is bad.

- Measure the voltage across TP4 and TP1.
- With the sample pump disabled it should be $4500 \text{ mV} \pm 250 \text{ mV}$.
- With the pump energized it should be approximately 200 mV less.

If the voltage is incorrect, then S1, the pressure transducer is bad, the board is bad, or there is a pneumatic failure preventing the pressure transducer from sensing the absorption cell pressure properly.

2. For flow related problems:

- Measure the voltage across TP2 and TP1 - it should be 10 ± 0.25 VDC.

If not, then the board is bad.

- Measure the voltage across TP3 and TP1:
- With proper flow (800 sccm at the sample inlet) this should be approximately 4.5V (this voltage will vary with altitude).
- With flow stopped (sample inlet blocked) the voltage should be approximately 1V.

If the voltage is incorrect, the flow sensor is bad, the board is bad, or there is a leak upstream of the sensor.

12.5.8. MOTHERBOARD

12.5.8.1. A/D FUNCTIONS

The simplest method to check the operation of the A-to-D converter on the motherboard is to use the Signal I/O function under the **DIAG** menu to check the two A/D reference voltages and input signals that can be easily measured with a voltmeter.

1. Use the Signal I/O function (see Section 12.1.3 and Appendix A) to view the value of REF_4096_MV and REF_GND.
 - If both are within 3 mV of nominal (4096 and 0), and are stable, ± 0.5 mV then the basic A/D is functioning properly. If not then the motherboard is bad.
2. Choose a parameter in the Signal I/O function such as SAMPLE_PRESSURE, SAMPLE_FLOW, CO_MEASURE or CO_REFERENCE.
 - Compare these voltages at their origin (see interconnect drawing, P/N 04215 and interconnect list, P/N 04216) with the voltage displayed through the signal I/O function.
 - If the wiring is intact but there is a large difference between the measured and displayed voltage (± 10 mV) then the motherboard is bad.

See also Sections 5.9.1 and 12.1.3.

12.5.8.2. TEST CHANNEL / ANALOG OUTPUTS VOLTAGE

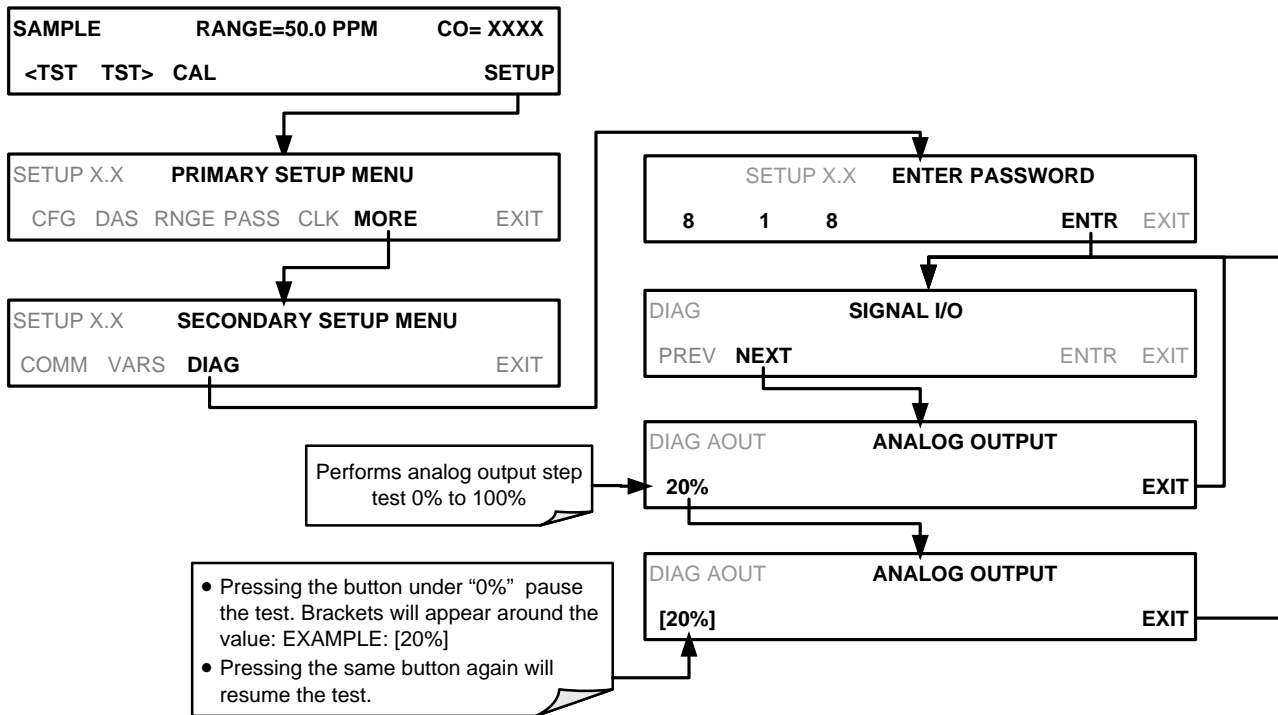
The **ANALOG OUTPUT** submenu, located under the **SETUP → MORE → DIAG** menu is used to verify that the T300/T300M Analyzer’s analog outputs are working properly. The test generates a signal on functioning outputs simultaneously as shown in the following table. (See also Section 5.9.2).

Table 12-10: Analog Output Test Function - Nominal Values Voltage Outputs

		FULL SCALE OUTPUT OF VOLTAGE RANGE (see Section 5.9.3.1)			
		100MV	1V	5V	10V
STEP	%	NOMINAL OUTPUT VOLTAGE			
1	0	0	0	0	0
2	20	20 mV	0.2	1	2
3	40	40 mV	0.4	2	4
4	60	60 mV	0.6	3	6
5	80	80 mV	0.8	4	8
6	100	100 mV	1.0	5	10

For each of the steps the output should be within 1% of the nominal value listed in the table below except for the 0% step, which should be within 0mV ± 2 mV. Make sure you take into account any offset that may have been programmed into channel (see Section 5.9.3.9).

If one or more of the steps fails to be within these ranges, it is likely that there has been a failure of either or both of the DACs and their associated circuitry on the motherboard. To perform the test connect a voltmeter to the output in question and perform an analog output step test as follows:



12.5.8.3. ANALOG OUTPUTS: CURRENT LOOP

To verify that the analog outputs with the optional current mode output are working properly, connect a 250 ohm resistor across the outputs and use a voltmeter to measure the output as described in Section 5.9.3.6 and then perform an analog output step test as described in Section 12.5.8.2.

For each step the output should be within 1% of the nominal value listed in the table below.

Table 12-11: Analog Output Test Function - Nominal Values Voltage Outputs

		OUTPUT RANGE			
		2 -20		4 -20	
		NOMINAL OUTPUT VALUES			
STEP	%	CURRENT	V(250 OHMS)	CURRENT	V(250 OHMS)
1	0	2 mA	0.5V	4	1
2	20	5.6	1.4	7.2	1.8
3	40	9.2	2.3	10.4	2.6
4	60	12.8	3.2	13.6	3.4
5	80	16.4	4.1	16.8	4.2
6	100	20	5	20	5

12.5.8.4. STATUS OUTPUTS

The procedure below can be used to test the Status outputs:

1. Connect a jumper between the “D” pin and the “▽” pin on the status output connector.
2. Connect a 1000 ohm resistor between the “+” pin and the pin for the status output that is being tested.
3. Connect a voltmeter between the “▽” pin and the pin of the output being tested (see table below).

Under the **DIAG** → SIGNAL I/O menu (see Section 12.1.3), scroll through the inputs and outputs until you get to the output in question. Alternately turn on and off the output noting the voltage on the voltmeter, it should vary between 0 volts for ON and 5 volts for OFF.

Table 12-12: Status Outputs Check

PIN (LEFT TO RIGHT)	STATUS
1	SYSTEM OK
2	CONC VALID
3	HIGH RANGE
4	ZERO CAL
5	SPAN CAL
6	DIAG MODE
7	SPARE
8	SPARE

12.5.8.5. CONTROL INPUTS – REMOTE ZERO, SPAN

The control input bits can be tested by the following procedure:

1. Jumper the +5 pin on the Status connector to the U on the Control In connector.
2. Connect a second jumper from the – pin on the Status connector to the A pin on the Control In connector. The instrument should switch from Sample Mode to ZERO CAL R mode.
3. Connect a second jumper from the – pin on the Status connector to the B pin on the Control In connector. The instrument should switch from Sample Mode to SPAN CAL R mode.
4. In each case, the T300/T300M should return to Sample Mode when the jumper is removed.

12.5.9. CPU

There are two major types of CPU board failures, a complete failure and a failure associated with the Disk on Module (DOM). If either of these failures occurs, contact the factory.

For complete failures, assuming that the power supplies are operating properly and the wiring is intact, the CPU is faulty if on power-on, the watchdog LED on the motherboard is not flashing.

In some rare circumstances, this failure may be caused by a bad IC on the motherboard, specifically U57, the large 44 pin device on the lower right hand side of the board. If this is true, removing U57 from its socket will allow the instrument to start up but the measurements will be invalid.

If the analyzer stops during initialization (the front panel display shows a fault or warning message), it is likely that the DOM, the firmware or the configuration and data files have been corrupted.

12.5.10. RS-232 COMMUNICATIONS

12.5.10.1. GENERAL RS-232 TROUBLESHOOTING

Teledyne ML analyzers use the RS-232 communications protocol to allow the instrument to be connected to a variety of computer-based equipment. RS-232 has been used for many years and as equipment has become more advanced, connections between various types of hardware have become increasingly difficult. Generally, every manufacturer observes the signal and timing requirements of the protocol very carefully.

Problems with RS-232 connections usually center on the following general areas:

1. Incorrect cabling and connectors. See Section 3.3 for connector and pin-out information.
2. The BAUD rate and protocol are incorrectly configured. See Section 6.2.2.
3. If a modem is being used, additional configuration and wiring rules must be observed. See Section 8.3
4. Incorrect setting of the DTE-DCE Switch. Ensure that switch is set correctly. See Section 6.1.
5. Verify that cable (P/N 03596) that connects the serial COM ports of the CPU to J12 of the motherboard is properly seated.

12.5.10.2. TROUBLESHOOTING ANALYZER/MODEM OR TERMINAL OPERATION

These are the general steps for troubleshooting problems with a modem connected to a Teledyne ML analyzer.

1. Check cables for proper connection to the modem, terminal or computer.
2. Check to make sure the DTE-DCE is in the correct position as described in Section 6.1.
3. Check to make sure the set up command is correct. See Section 8.3.
4. Verify that the Ready to Send (RTS) signal is at logic high. The T300/T300M sets pin 7 (RTS) to greater than 3 volts to enable modem transmission.
5. Make sure the BAUD rate, word length, and stop bit settings between modem and analyzer match. See Section 8.3.
6. Use the RS-232 test function to send “w” characters to the modem, terminal or computer. See Section 8.3.
7. Get your terminal, modem or computer to transmit data to the analyzer (holding down the space bar is one way); the green LED should flicker as the instrument is receiving data.
8. Make sure that the communications software or terminal emulation software is functioning properly.

Further help with serial communications is available in a separate manual “RS-232 Programming Notes” Teledyne ML P/N 013500000.

12.5.11. THE OPTIONAL CO₂ SENSOR

There are Two LEDs located on the CO₂ sensor PCA.

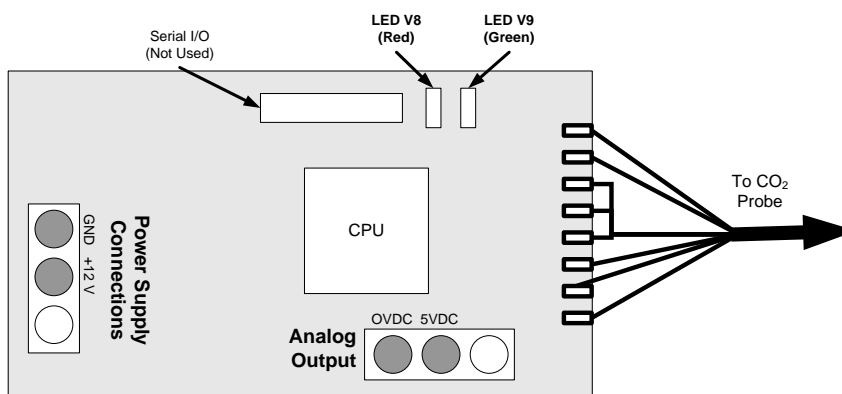


Figure 12-13: Location of Diagnostic LEDs on CO₂ Sensor PCA

- Normal Operation: V8 is not lit – V9 is Blinking
- Error State: Both LEDs are blinking.

Check to make sure that the cable to the CO₂ probe is properly connected.

12.6. REPAIR PROCEDURES

This contains procedures that might need to be performed on rare occasions when a major component of the analyzer requires repair or replacement.

12.6.1. REPAIRING SAMPLE FLOW CONTROL ASSEMBLY

The critical flow orifice is housed in the flow control assembly (Teledyne ML P/N 001760400) located on the top of the optical bench. A sintered filter protects the jewel orifice so it is unusual for the orifice to need replacing, but if it does, or the filter needs replacement please use the following procedure (see the Spare Parts list in Appendix B for part numbers and kits):

1. Turn off power to the analyzer.
2. Locate the assembly attached to the sample pump. See Figure 3-6.
3. Disconnect the pneumatic connection from the flow assembly and the assembly from the pump.
4. Remove the fitting and the components as shown in the exploded view below.
5. Replace the o-rings (P/N OR0000001) and the sintered filter (P/N FL0000001).
6. If replacing the critical flow orifice itself (P/N 000941000) be sure that the side with the colored window (usually red) is facing upstream to the flow gas flow.
7. Apply new Teflon[®] tape to the male connector threads.
8. Re-assemble in reverse order.
9. After reconnecting the power and pneumatic lines, flow check the instrument as described in Section 11.3.4.

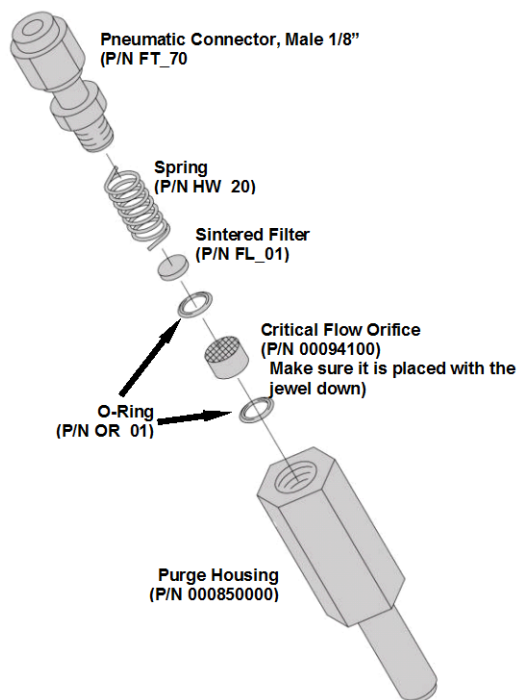


Figure 12-14: Critical Flow Restrictor Assembly/Disassembly

12.6.2. REMOVING/REPLACING THE GFC WHEEL

When removing or replacing the GFC Wheel it is important to perform the disassembly in the following order to avoid damaging the components:

1. Turn off the analyzer.
2. Remove the top cover.
3. Open the instrument's hinged front panel.
4. Locate the GFC Wheel/motor assembly. See Figure 3-6.
5. Unplug the following electronic components:
 - The GFC Wheel housing temperature sensor
 - GFC Wheel heater
 - GFC Wheel motor power supply

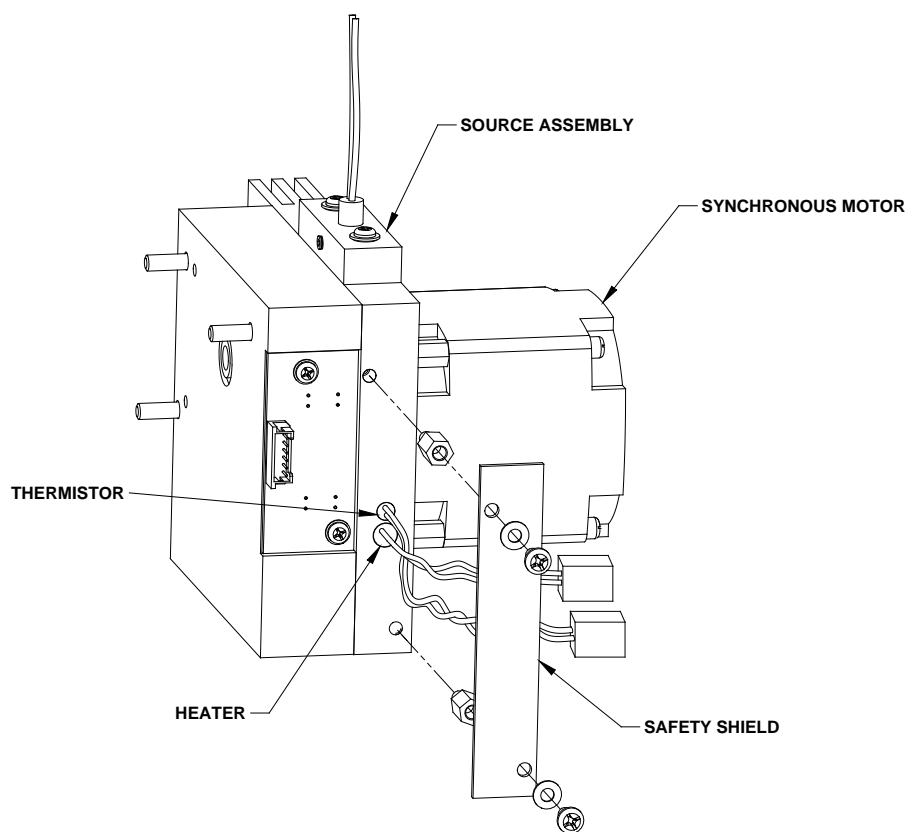


Figure 12-15: Opening the GFC Wheel Housing

6. Remove the two (2) screws holding the opto-pickup printed circuit assembly to the GFC Wheel housing.

- Carefully remove the opto-pickup printed circuit assembly.

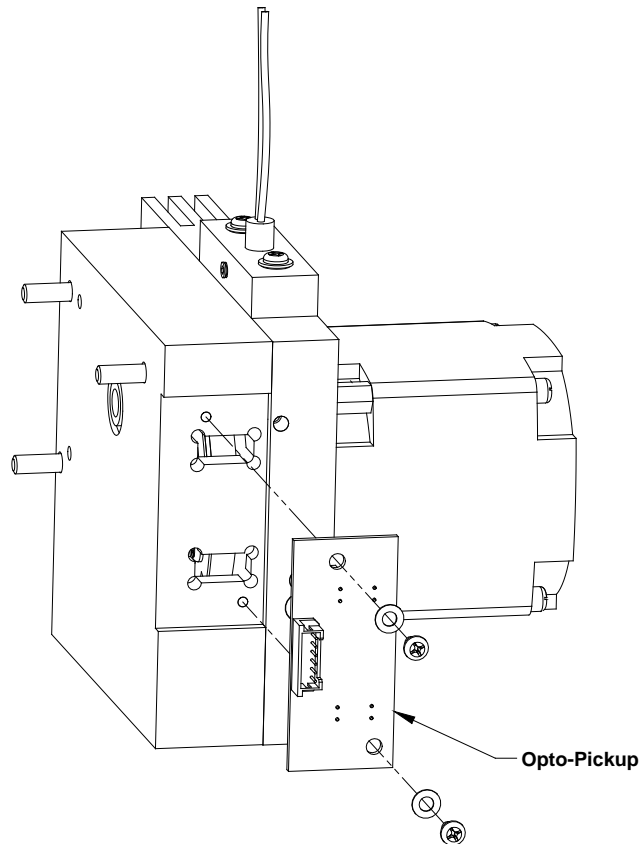


Figure 12-16: Removing the Opto-Pickup Assembly

- Remove the three (3) screws holding the GFC Wheel motor/heat sink assembly to the GFC Wheel housing.
- Carefully remove the GFC Wheel motor/heat sink assembly from the GFC Wheel housing.

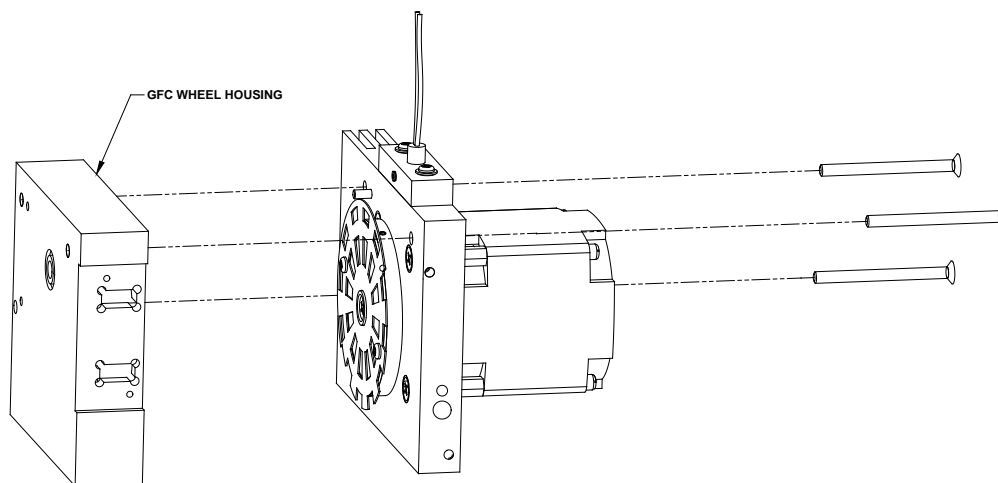


Figure 12-17: Removing the GFC Wheel Housing

10. Remove the one (1) screw fastening the GFC Wheel/mask assembly to the GFC motor hub.

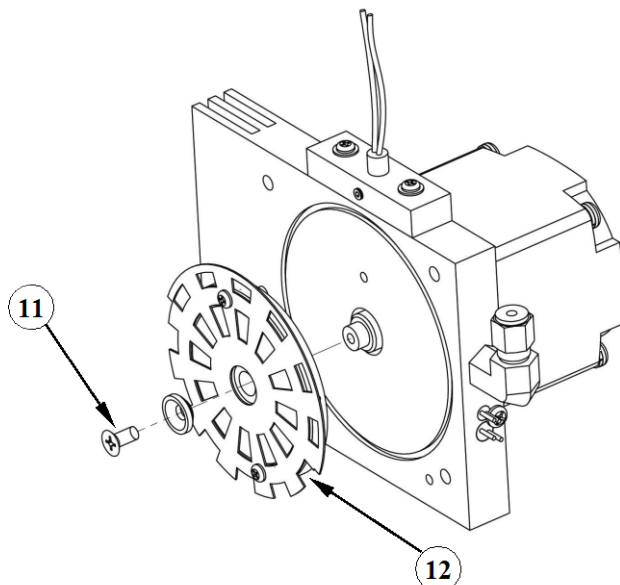


Figure 12-18: Removing the GFC Wheel

11. Remove the GFC Wheel/mask assembly.
12. Follow the previous steps in reverse order to put the GFC Wheel/motor assembly back together.

12.6.3. CHECKING AND ADJUSTING THE SYNC/DEMODULATOR, CIRCUIT GAIN (CO MEAS)

12.6.3.1. CHECKING THE SYNC/DEMODULATOR CIRCUIT GAIN

The T300/T300M Analyzers will operate accurately as long as the sync/demodulator circuit gain is properly adjusted. To determine if this gain factor is correct:

1. Make sure that the analyzer is turned on and warmed up.
2. Set the analyzer display to show the **STABIL** or **CO STB** test function.
3. Apply Zero Air to Sample Inlet of the analyzer.
4. Wait until the stability reading falls below 1.0 ppm.
5. Change the analyzer display to show the **CO MEAS**
 - The value of **CO MEAS** must be > 2800 mV and < 4800 mV for the instrument to operate correctly.
 - Optimal value for **CO MEAS** is 4500 mV \pm 300 mV. If it is not, adjust the value.

12.6.3.2. ADJUSTING THE SYNC/DEMODULATOR, CIRCUIT GAIN

To adjust the sync/demodulator circuit gain:

1. Make sure that the analyzer is turned on and warmed up.
2. Set the analyzer display to show the **STABIL** or **CO STB** test function.
3. Apply Zero Air to Sample Inlet of the analyzer.
4. Wait until the stability reading falls below 1.0 ppm.
5. Change the analyzer display to show the **CO MEAS**.
6. Remove the Sync/Demod Housing
 - Remove the two mounting screws.
 - Carefully lift the housing to reveal the sync/demod PCA.

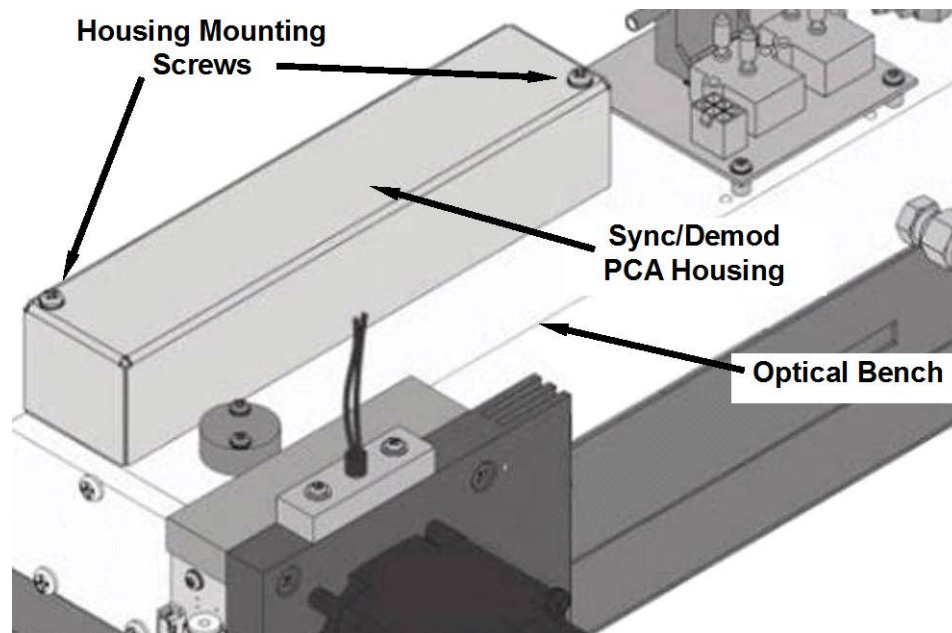


Figure 12-19: Location of Sync/Demod Housing Mounting Screws

7. Adjust potentiometer VR1 until **CO MEAS** reads $4500 \text{ mV} \pm 300 \text{ mV}$

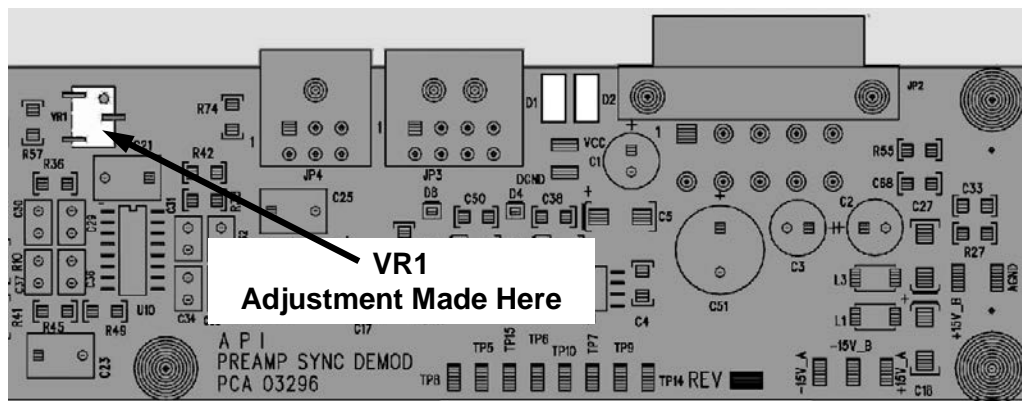


Figure 12-20: Location of Sync/Demod Gain Potentiometer

12.6.4. DISK-ON-MODULE REPLACEMENT

ATTENTION

COULD DAMAGE INSTRUMENT AND VOID WARRANTY

Servicing of circuit components requires electrostatic discharge protection, i.e. ESD grounding straps, mats and containers. Failure to use ESD protection when working with electronic assemblies will void the instrument warranty. Refer to Section 13 for more information on preventing ESD damage.

Replacing the Disk-on-Module (DOM) will cause loss of all DAS data; it may also cause loss of some instrument configuration parameters unless the replacement DOM carries the exact same firmware version. Whenever changing the version of installed software, the memory must be reset. Failure to ensure that memory is reset can cause the analyzer to malfunction, and invalidate measurements. After the memory is reset, the A/D converter must be re-calibrated, and all information collected in Step 1 below must be re-entered before the instrument will function correctly. Also, zero and span calibration should be performed.

1. Document all analyzer parameters that may have been changed, such as range, auto-cal, analog output, serial port and other settings before replacing the DOM
2. Turn off power to the instrument, fold down the rear panel by loosening the mounting screws.
3. When looking at the electronic circuits from the back of the analyzer, locate the Disk-on-Module in the right-most socket of the CPU board.
4. The DOM should carry a label with firmware revision, date and initials of the programmer.
5. Remove the nylon standoff clip that mounts the DOM over the CPU board, and lift the DOM off the CPU. Do not bend the connector pins.
6. Install the new Disk-on-Module, making sure the notch at the end of the chip matches the notch in the socket.
7. It may be necessary to straighten the pins somewhat to fit them into the socket. Press the chip all the way in.
8. Close the rear panel and turn on power to the machine.
9. If the replacement DOM carries a firmware revision, re-enter all of the setup information.

12.7. FREQUENTLY ASKED QUESTIONS

The following is a list from the Teledyne ML's Customer Service Department of the most commonly asked questions relating to the T300/T300M CO Analyzer.

QUESTION	ANSWER
Why does the ENTR button sometimes disappear on the Front Panel Display?	<p>During certain types of adjustments or configuration operations, the ENTR button will disappear if you select a setting that is out of the allowable range for that parameter (such as trying to set the 24-hour clock to 25:00:00, or selecting a DAS hold off period of more than 20 minutes).</p> <p>Once you adjust the setting in question to an allowable value, the ENTR button will re-appear.</p>
Why is the ZERO or SPAN button not displayed during calibration?	<p>The T300/T300M disables these buttons when the expected span or zero value entered by the users is too different from the gas concentration actually measured value at the time. This is to prevent the accidental recalibration of the analyzer to an out-of-range response curve.</p> <p>EXAMPLE: The span set point is 40 ppm but gas concentration being measured is only 5 ppm.</p> <p>For more information, see Sections 12.3.3 and 12.3.4.</p>
How do I enter or change the value of my Span Gas?	<p>Press the CONC button found under the CAL or CALS buttons of the main SAMPLE display menus to enter the expected CO span concentration.</p> <p>See Section 0 for more information.</p>
Why does the analyzer not respond to span gas?	<p>There could be something wrong with a span gas tank, or a span gas concentration was entered incorrectly, or there could be a pneumatic leak. Section 12.3.3 addresses these issues.</p>
Is there an optional midpoint calibration?	<p>There is an optional mid-point linearity adjustment; however, midpoint adjustment is applicable only to applications where CO measurements are expected above 100 ppm.</p> <p>Call Teledyne ML's Customer Service Department for more information on this topic.</p>
What do I do if the concentration on the instrument's front panel display does not match the value recorded or displayed on my data logger even if both instruments are properly calibrated?	<p>This most commonly occurs for one of the following reasons:</p> <ul style="list-style-type: none"> • a difference in circuit ground between the analyzer and the data logger or a wiring problem • a scale problem with the input to the data logger (The analog outputs of the T300/T300M can be manually adjusted to compensate for either or both of these effects, see Section 5.9.3.9). • the analog outputs are not calibrated, which can happen after a firmware upgrade (Both the electronic scale and offset of the analog outputs can be adjusted; see Section 5.9.3.2. Alternately, use the data logger itself as the metering device during calibration procedures.

QUESTION	ANSWER
How do I perform a leak check?	Section 11.3.3 provides leak check instructions.
How do I measure the sample flow?	Sample flow is measured by attaching a calibrated rotameter, wet test meter, or other flow-measuring device to the sample inlet port when the instrument is operating. The sample flow should be 800 cm ³ /min ±10%. See Section 11.3.4.
How long does the IR source last?	Typical lifetime is about 2-3 years.
Can I automate the calibration of my analyzer?	Any analyzer with zero/span valve or IZS option can be automatically calibrated using the instrument's AutoCal feature. The setup of this option is located in Section 9.4.
Can I use the IZS option to calibrate the analyzer?	<p>Yes. However, whereas this may be acceptable for basic calibration checks, the IZS option is not permitted as a calibration source in applications following US EPA protocols.</p> <p>To achieve highest accuracy, it is recommended to use cylinders of calibrated span gases in combination with a zero air source.</p>
<p>Q: What is the averaging time for an T300/T300M?</p>	<p>A: The default averaging time, optimized for ambient pollution monitoring, is 150 seconds for stable concentrations and 10 seconds for rapidly changing concentrations (see Section 13.5.1 for more information).</p> <p>However, it is adjustable over a range of 0.5 second to 200 seconds (please contact Customer Service for more information).</p>

12.8. TECHNICAL ASSISTANCE

If this manual and its troubleshooting / repair sections do not solve your problems, technical assistance may be obtained from:

Teledyne ML Customer Service
35 Inverness Drive East
Englewood, CO 80112 USA

Toll-free Phone: 800-846-6062

Phone: 303-792-3300

Fax: 303-799-4853

Email: Tml_support@teledyne.com

Website: <http://www.teledyne-ml.com/>

Before you contact Teledyne ML Customer service, fill out the problem report form in Appendix C, which is also available online for electronic submission at <http://www.teledyne-ml.com/forms/>.

13. THEORY OF OPERATION

The T300/T300M Gas Filter Correlation Carbon monoxide Analyzer is a microprocessor-controlled analyzer that determines the concentration of carbon monoxide (CO) in a sample gas drawn through the instrument. It requires that the sample and calibration gases be supplied at ambient atmospheric pressure in order to establish a stable gas flow through the sample chamber where the gases ability to absorb infrared radiation is measured.

Calibration of the instrument is performed in software and does not require physical adjustments to the instrument. During calibration, the microprocessor measures the current state of the IR Sensor output and various other physical parameters of the instrument and stores them in memory.

The microprocessor uses these calibration values, the IR absorption measurements made on the sample gas along with data regarding the current temperature and pressure of the gas to calculate a final CO concentration.

This concentration value and the original information from which it was calculated are stored in one of the unit's internal data acquisition system (DAS - See Sections 7) as well as reported to the user via front panel display display or a variety of digital and analog signal outputs.

13.1. MEASUREMENT METHOD

This section presents measurement principles and fundamentals for this instrument.

13.1.1. BEER'S LAW

The basic principle by which the analyzer works is called the Beer-Lambert Law or Beer's Law. It defines how light of a specific wavelength is absorbed by a particular gas molecule over a certain distance. The mathematical relationship between these three parameters is:

$$I = I_0 e^{-\alpha Lc}$$

Equation 13-1

Where:

I_0 is the intensity of the light if there was no absorption.

I is the intensity with absorption.

L is the absorption path, or the distance the light travels as it is being absorbed.

C is the concentration of the absorbing gas; in the case of the T300/T300M, Carbon Monoxide (CO).

α is the absorption coefficient that tells how well CO absorbs light at the specific wavelength of interest.

13.2. MEASUREMENT FUNDAMENTALS

In the most basic terms, the T300/T300M uses a high-energy heated element to generate a beam of broad-band IR light with a known intensity (measured during instrument calibration). This beam is directed through multi-pass cell filled with sample gas. The sample cell uses mirrors at each end to reflect the IR beam back and forth through the sample gas a number of times (see Figure 13-1).

The total length that the reflected light travels is directly related to the intended sensitivity of the instrument. The lower the concentrations the instrument is designed to detect, the longer the light path must be in order to create detectable levels of attenuation.

Lengthening the absorption path is accomplished partly by making the physical dimension of the reaction cell longer, but primarily by adding extra passes back and forth along the length of the chamber.

Table 13-1: Absorption Path Lengths for T300 and T300M

MODEL	TOTAL NUMBER OF REFLECTIVE PASSES	DISTANCE BETWEEN MIRRORS	TOTAL ABSORPTION LIGHT PATH
T300	32	437.5 mm	14 Meters
T300M	8	312.5 mm	2.5 Meters

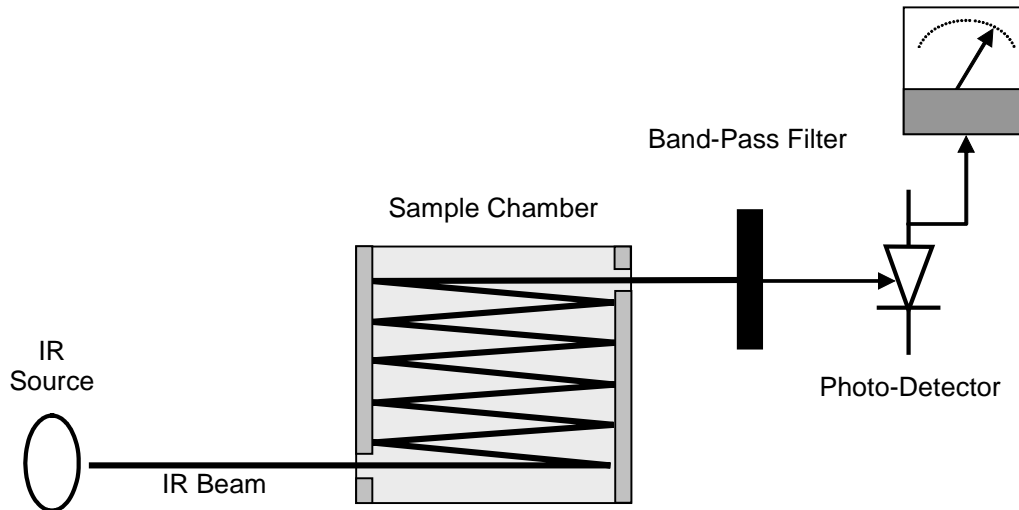


Figure 13-1: Measurement Fundamentals

Upon exiting the sample cell, the beam shines through a band-pass filter that allows only light at a wavelength of $4.7\ \mu\text{m}$ to pass. Finally, the beam strikes a solid-state photo-detector that converts the light signal into a modulated voltage signal representing the attenuated intensity of the beam.

13.2.1. GAS FILTER CORRELATION

Unfortunately, water vapor absorbs light at $4.7\ \mu\text{m}$ too. To overcome the interfering effects of water vapor the T300/T300M adds another component to the IR light path called a Gas Filter Correlation (GFC) Wheel.

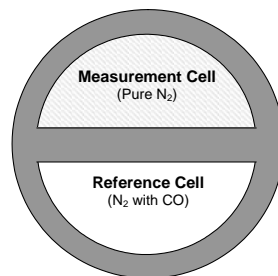


Figure 13-2: GFC Wheel

13.2.1.1. THE GFC WHEEL

A GFC Wheel is a metallic wheel into which two chambers are carved. The chambers are sealed on both sides with material transparent to $4.7\ \mu\text{m}$ IR radiation creating two airtight cavities. Each cavity is mainly filled with composed gases. One cell is filled with pure N_2 (the measurement cell). The other is filled with a combination of N_2 and a high concentration of CO (the reference cell).

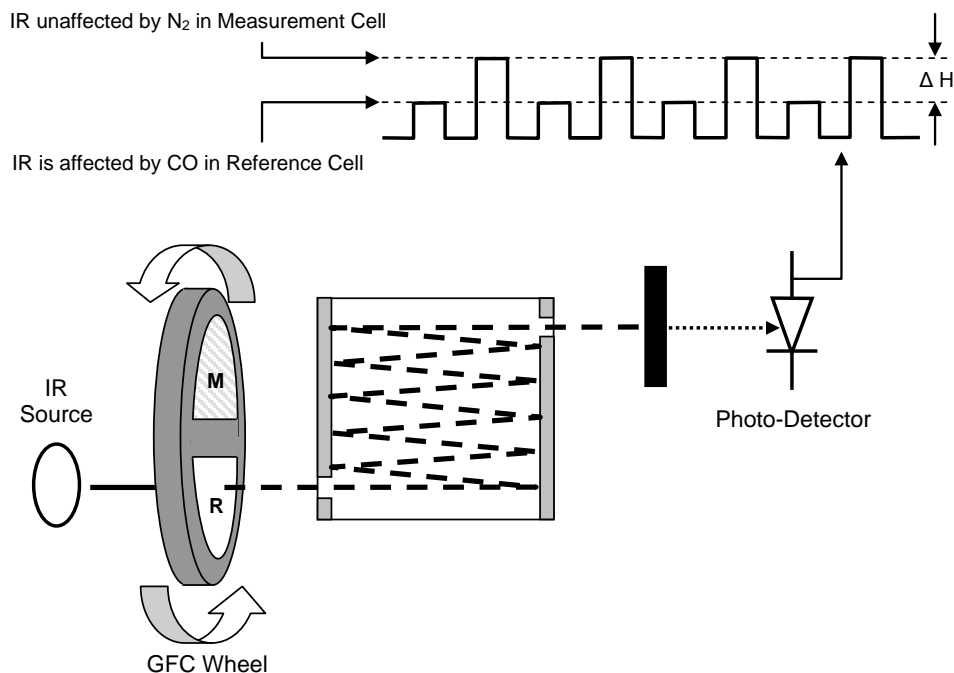


Figure 13-3: Measurement Fundamentals with GFC Wheel

As the GFC Wheel spins, the IR light alternately passes through the two cavities. When the beam is exposed to the reference cell, the CO in the gas filter wheel strips the beam of most of the IR at $4.7\mu\text{m}$. When the light beam is exposed to the measurement cell, the N_2 in the filter wheel does not absorb IR light. This causes a fluctuation in the intensity of the IR light striking the photo-detector which results in the output of the detector resembling a square wave.

13.2.1.2. THE MEASURE REFERENCE RATIO

The T300/T300M determines the amount of CO in the sample chamber by computing the ratio between the peak of the measurement pulse (**CO MEAS**) and the peak of the reference pulse (**CO REF**).

If no gases exist in the sample chamber that absorb light at $4.7\mu\text{m}$, the high concentration of CO in the gas mixture of the reference cell will attenuate the intensity of the IR beam by 60% giving a M/R ratio of approximately 2.4:1.

Adding CO to the sample chamber causes the peaks corresponding to both cells to be attenuated by a further percentage. Since the intensity of the light passing through the measurement cell is greater, the effect of this additional attenuation is greater. This causes **CO MEAS** to be more sensitive to the presence of CO in the sample chamber than **CO REF** and the ratio between them (M/R) to move closer to 1:1 as the concentration of CO in the sample chamber increases.

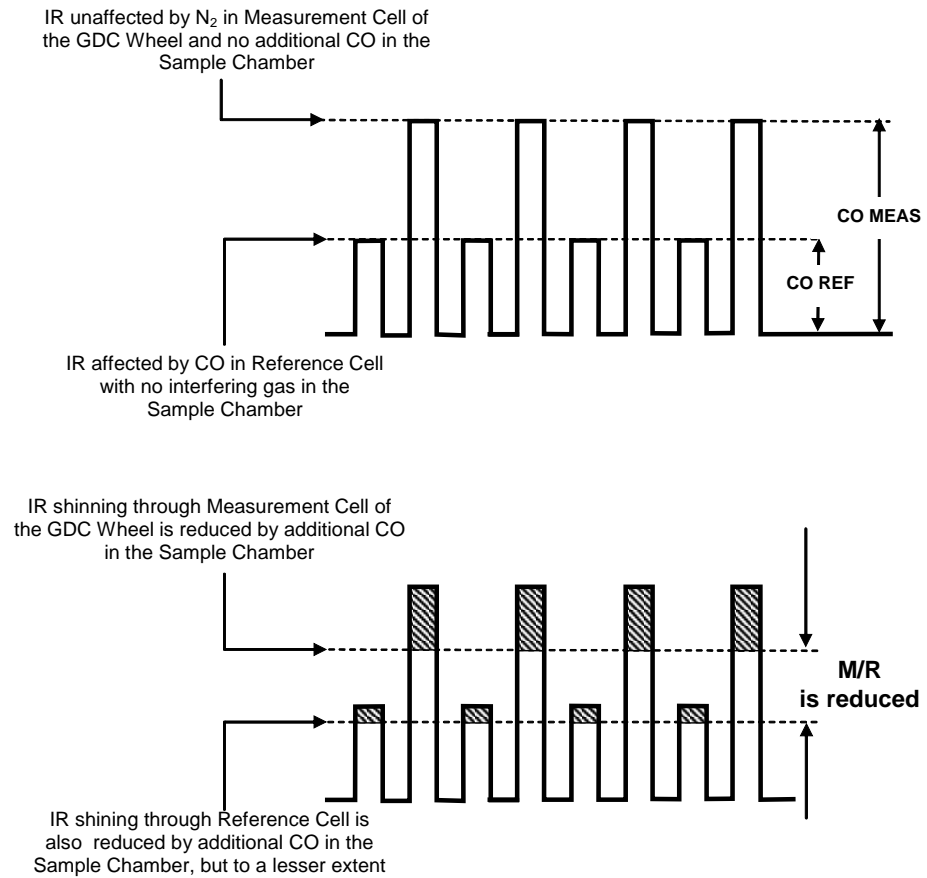


Figure 13-4: Affect of CO in the Sample on CO MEAS & CO REF

Once the T300/T300M has computed this ratio, a look-up table is used, with interpolation, to linearize the response of the instrument. This linearized concentration value is combined with calibration SLOPE and OFFSET values to produce the CO concentration which is then normalized for changes in sample pressure.

INTERFERENCE AND SIGNAL TO NOISE REJECTION

If an interfering gas, such as H₂O vapor is introduced into the sample chamber, the spectrum of the IR beam is changed in a way that is identical for both the reference and the measurement cells, but without changing the ratio between the peak heights of **CO MEAS** and **CO REF**. In effect, the difference between the peak heights remains the same.

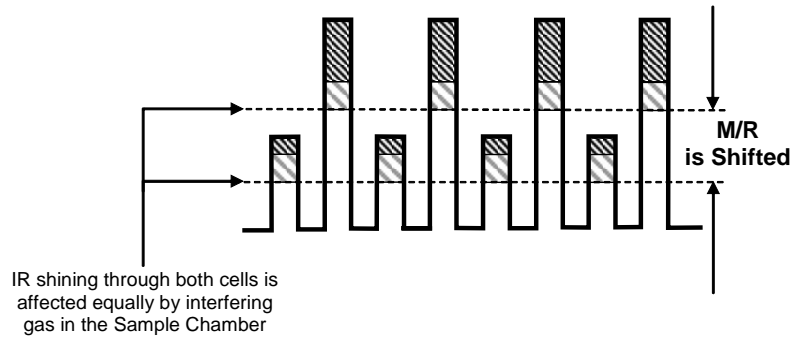


Figure 13-5: Effects of Interfering Gas on CO MEAS & CO REF

Thus, the difference in the peak heights and the resulting M/R ratio is only due to CO and not to interfering gases. In this case, GFC rejects the effects of interfering gases and so that the analyzer responds only to the presence of CO.

To improve the signal-to-noise performance of the IR photo-detector, the GFC Wheel also incorporates an optical mask that chops the IR beam into alternating pulses of light and dark at six times the frequency of the measure/reference signal. This limits the detection bandwidth helping to reject interfering signals from outside this bandwidth improving the signal to noise ratio.

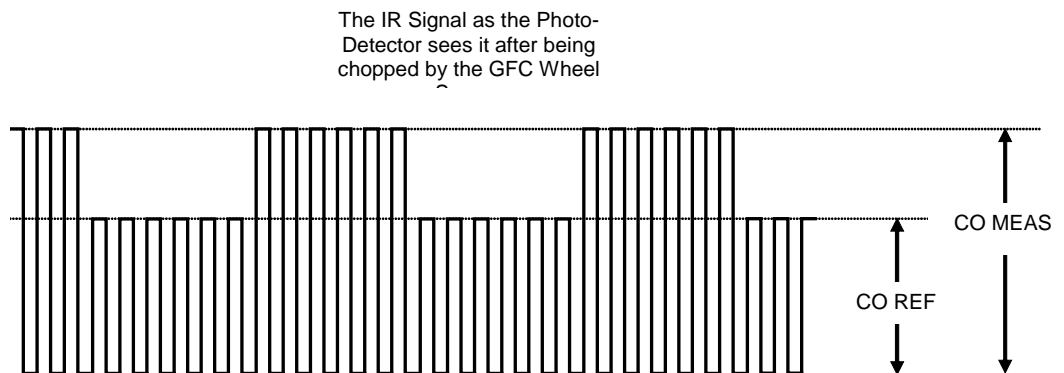


Figure 13-6: Chopped IR Signal

13.2.1.3. SUMMARY INTERFERENCE REJECTION

The basic design of the T300/T300M rejects most of this interference at a 300:1 ratio. The two primary methods used to accomplish this are:

- The 4.7 μ m band pass filter just before the IR sensor which allows the instrument to only react to IR absorption in the wavelength affected by CO.
- Comparison of the measure and reference signals and extraction of the ratio between them.
- Pneumatic Operation



CAUTION – GENERAL SAFETY HAZARD

It is important that the sample airflow system is both leak tight and not pressurized over ambient pressure.

Regular leak checks should be performed on the analyzer as described in the maintenance schedule, Table 11-1.

Procedures for correctly performing leak checks can be found in Section 11.3.3.

An internal pump evacuates the sample chamber creating a small vacuum that draws sample gas into the analyzer. Normally the analyzer is operated with its inlet near ambient pressure either because the sample is directly drawn at the inlet or a small vent is installed at the inlet. There are several advantages to this “pull through” configuration.

- By placing the pump down stream from the sample chamber several problems are avoided.
- First the pumping process heats and compresses the sample air complicating the measurement process.
- Additionally, certain physical parts of the pump itself are made of materials that might chemically react with the sample gas.
- Finally, in certain applications where the concentration of the target gas might be high enough to be hazardous, maintaining a negative gas pressure relative to ambient means that should a minor leak occur, no sample gas will be pumped into the atmosphere surrounding analyzer.

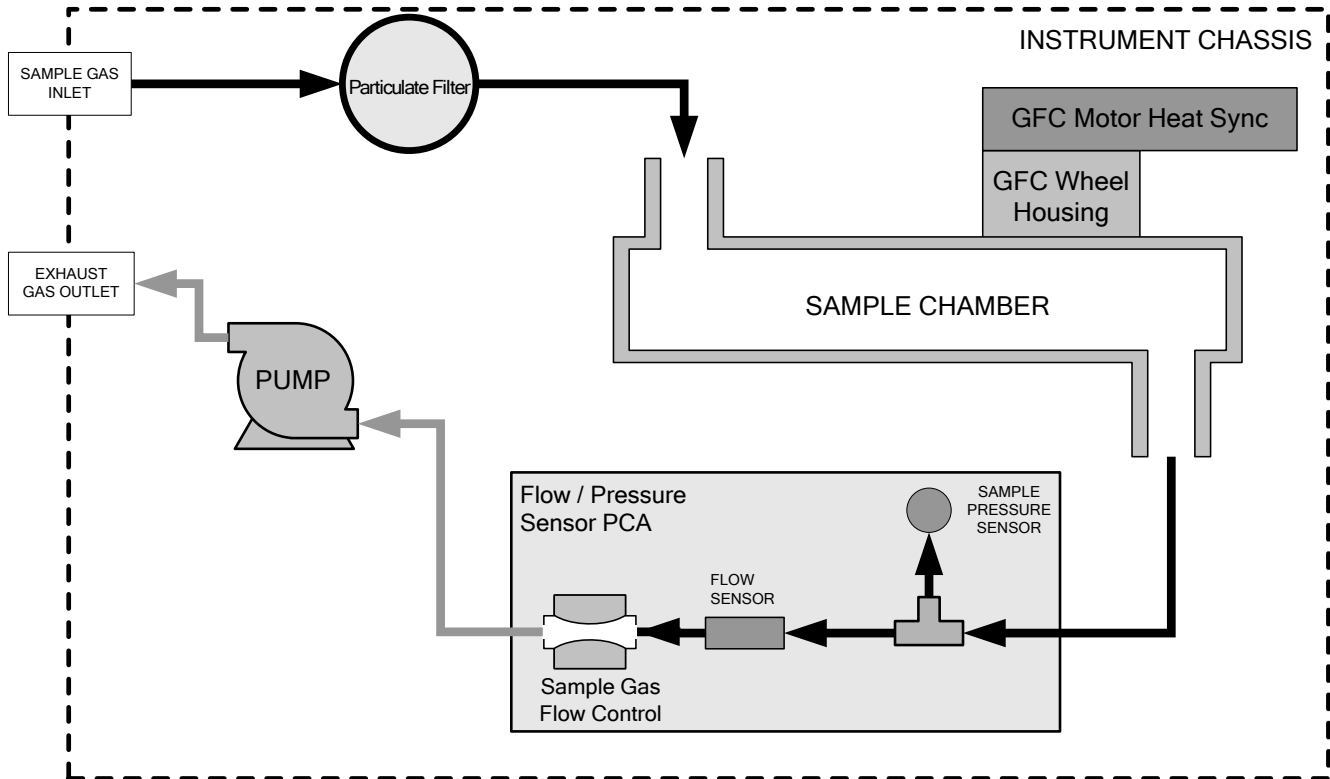


Figure 13-7: Internal Pneumatic Flow – Basic Configuration

13.3. FLOW RATE CONTROL

To maintain a constant flow rate of the sample gas through the instrument, the T300/T300M uses a special flow control assembly located in the exhaust gas line just before the pump. In instruments with the O₂ sensor installed, a second flow control assembly is located between the O₂ sensor assembly and the pump. These assemblies consist of:

- A critical flow orifice.
- Two o-rings: Located just before and after the critical flow orifice, the o-rings seal the gap between the walls of assembly housing and the critical flow orifice.
- A spring: Applies mechanical force needed to form the seal between the o-rings, the critical flow orifice and the assembly housing.

13.3.1.1. CRITICAL FLOW ORIFICE

The most important component of this flow control assembly is the critical flow orifice.

Critical flow orifices are a remarkably simple way to regulate stable gas flow rates. They operate without moving parts by taking advantage of the laws of fluid dynamics. By restricting the flow of gas through the orifice, a pressure differential is created. This pressure differential combined with the action of the analyzer's pump draws the gas through the orifice.

As the pressure on the downstream side of the orifice (the pump side) continues to drop, the speed that the gas flows through the orifice continues to rise. Once the ratio of upstream pressure to downstream pressure is greater than 2:1, the velocity of the gas through the orifice reaches the speed of sound. As long as that ratio stays at least 2:1, the gas flow rate is unaffected by any fluctuations, surges, or changes in downstream pressure because such variations only travel at the speed of sound themselves and are therefore cancelled out by the sonic shockwave at the downstream exit of the critical flow orifice.

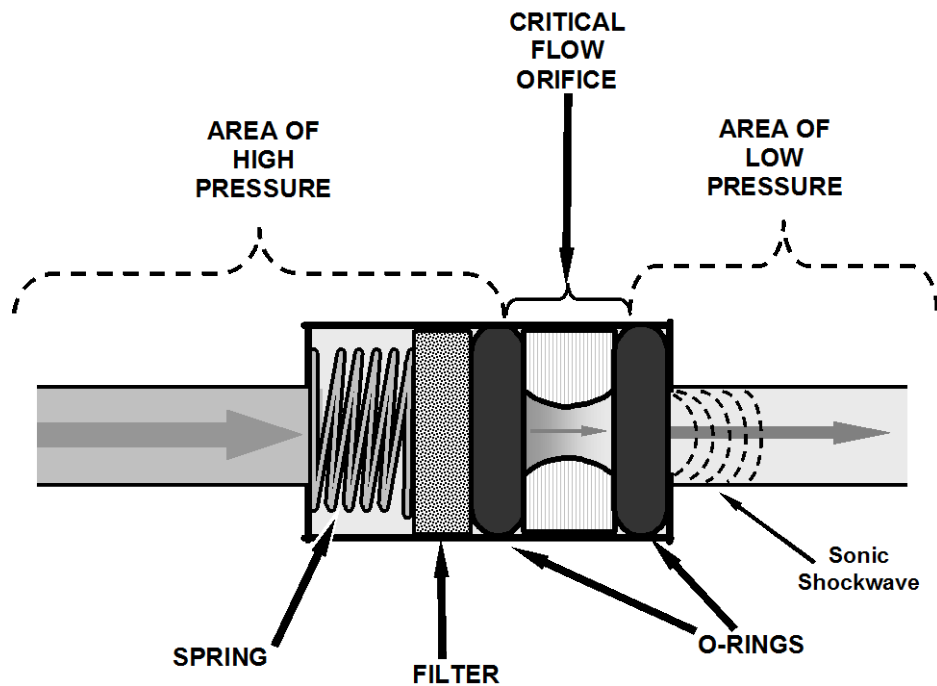


Figure 13-8: Flow Control Assembly & Critical Flow Orifice

The actual flow rate of gas through the orifice (volume of gas per unit of time), depends on the size and shape of the aperture in the orifice. The larger the hole, the more the gas molecules move at the speed of sound and pass through the orifice. Because the flow rate of gas through the orifice is only related to the minimum 2:1 pressure differential and not absolute pressure, the flow rate of the gas is also unaffected by degradations in pump efficiency due to age.

The critical flow orifice used in the T300/T300M provides a flow rate of 800 cc/min.

13.3.2. PARTICULATE FILTER

The T300/T300M Analyzer comes equipped with a 47 mm diameter, Teflon, particulate filter with a 5 micron pore size. The filter is accessible through the front panel, which folds down to allow access, and should be changed according to the suggested maintenance schedule described in Table 11-1.

13.3.3. PNEUMATIC SENSORS

There are two pneumatic sensors: one each to measure sample pressure and flow.

13.3.3.1. SAMPLE PRESSURE SENSOR

An absolute value pressure transducer plumbed to the outlet of the sample chamber is used to measure sample pressure. The output of the sensor is used to compensate the concentration measurement for changes in air pressure. This sensor is mounted to a printed circuit board with the Sample Flow Sensor on the sample chamber (see Section 13.3.3.2 and Figure 3-4).

13.3.3.2. SAMPLE FLOW SENSOR

A thermal-mass flow sensor is used to measure the sample flow through the analyzer. The sensor is calibrated at the factory with ambient air or N₂, but can be calibrated to operate with samples consisting of other gases such as CO. This sensor is mounted to a printed circuit board with the Sample Pressure Sensor on the sample chamber (see Section 13.3.3.1 and Figure 3-4).

13.4. ELECTRONIC OPERATION

Figure 13-9 shows a block diagram of the major electronic components of the analyzer.

The core of the analyzer is a microcomputer/central processing unit (CPU) that controls various internal processes, interprets data, makes calculations, and reports results using specialized firmware developed by Teledyne ML. It communicates with the user as well as receives data from and issues commands to a variety of peripheral devices via a separate printed circuit assembly called the motherboard.

The motherboard is directly mounted to the inside rear panel and collects data, performs signal conditioning duties and routes incoming and outgoing signals between the CPU and the analyzer's other major components.

Data are generated by a gas-filter-correlation optical bench which outputs an analog signal corresponding to the concentration of CO in the sample gas. This analog signal is transformed into two, pre-amplified, DC voltages (**CO MEAS** and **CO REF**) by a synchronous demodulator printed circuit assembly. **CO MEAS** and **CO REF** is converted into digital data by a unipolar, analog-to-digital converter, located on the motherboard.

A variety of sensors report the physical and operational status of the analyzer's major components, again through the signal processing capabilities of the motherboard. These status reports are used as data for the CO concentration calculation and as trigger events for certain control commands issued by the CPU. This information is stored in memory by the CPU and in most cases can be viewed but the user via the front panel display.

The CPU issues commands via a series of relays and switches (also over the I²C bus) located on a separate printed circuit assembly to control the function of key electromechanical devices such as heaters, motors and valves.

The CPU communicates with the user and the outside world in several ways:

- Through the analyzer's front panel LCD touch-screen interface
- RS-232 and RS-485 serial I/O channels
- Various analog voltage and current outputs
- Several digital I/O channels
- Ethernet

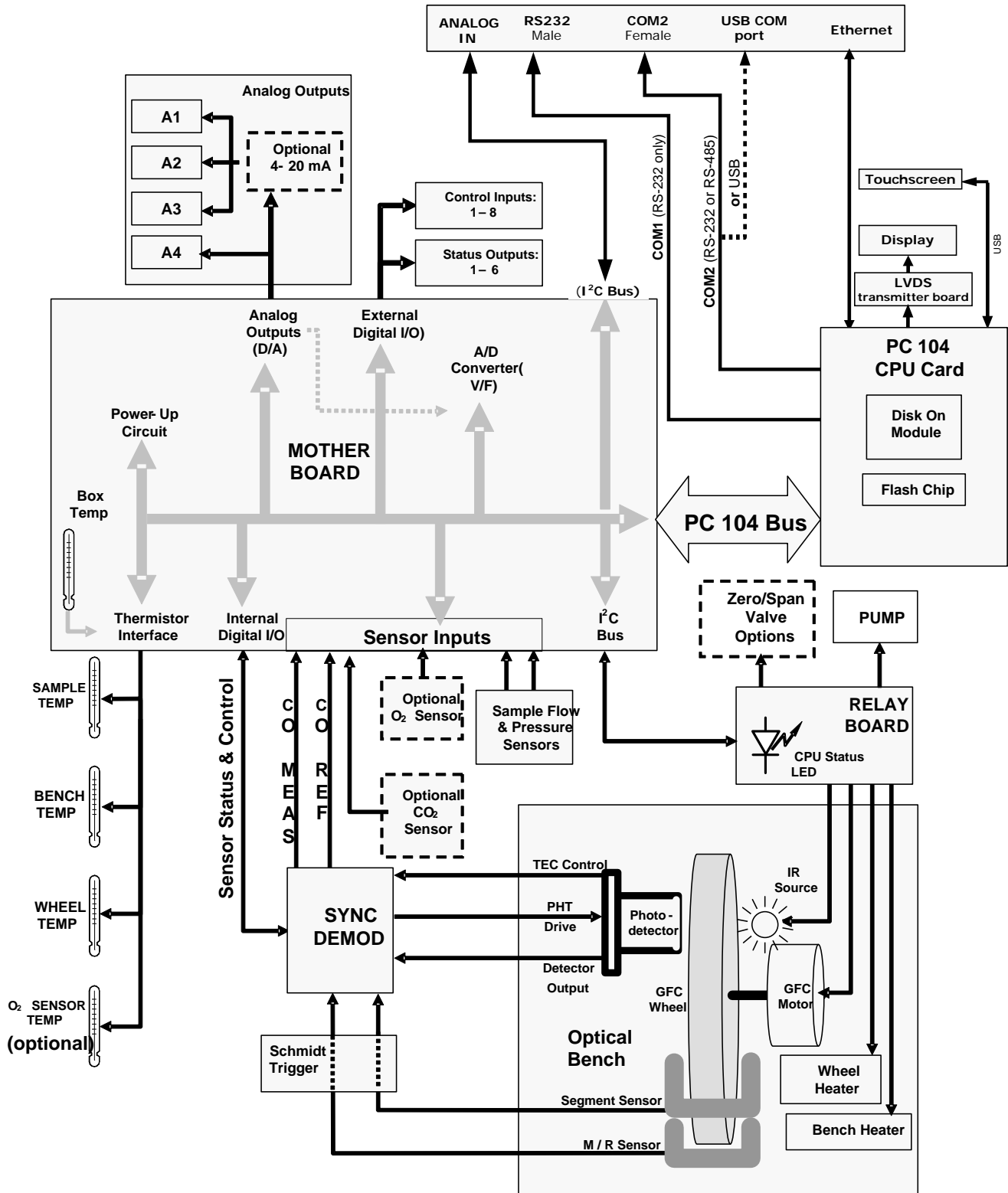


Figure 13-9: Electronic Block Diagram

13.4.1. CPU

The unit's CPU card is installed on the motherboard located inside the rear panel. It is a low power (5 VDC, 720mA max), high performance, Vortex 86SX-based microcomputer running Windows CE. Its operation and assembly conform to the PC/104 specification.

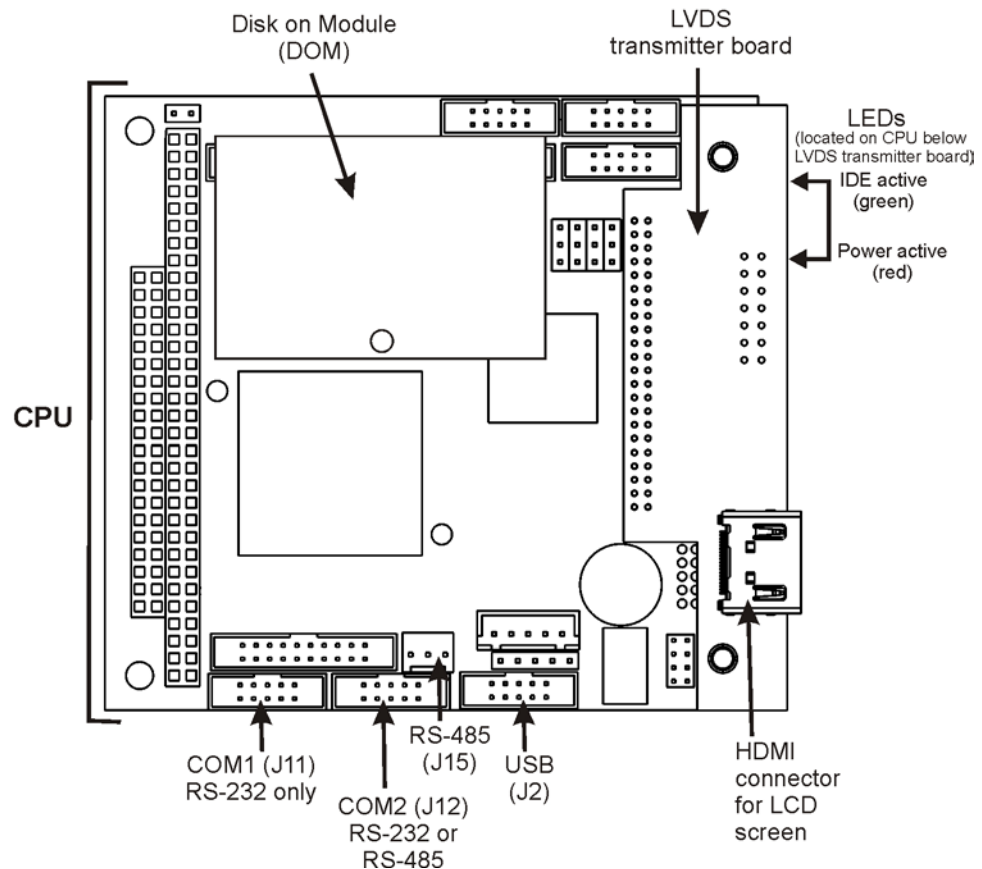


Figure 13-10. CPU Board

The CPU includes two types of non-volatile data storage: a Disk-On-Module (DOM) and an embedded flash chip.

13.4.1.1. DISK-ON-MODULE (DOM)

The DOM is a 44-pin IDE flash drive with a storage capacity up to 128 MB. It is used to store the computer's operating system, the Teledyne ML firmware, and most of the operational data generated by the analyzer's internal data acquisition system (DAS).

13.4.1.2. FLASH CHIP

This non-volatile, embedded flash chip includes 2MB of storage for calibration data as well as a backup of the analyzer configuration. Storing these key data on a less heavily accessed chip significantly decreases the chance of data corruption.

In the unlikely event that the flash chip should fail, the analyzer will continue to operate with just the DOM. However, all configuration information will be lost, requiring that the unit be recalibrated.

13.4.2. OPTICAL BENCH & GFC WHEEL

Electronically, in the case of the optical bench for the T300 Analyzer, GFC Wheel and associated components do more than simply measure the amount of CO present in the sample chamber. A variety of other critical functions are performed here as well.

13.4.2.1. TEMPERATURE CONTROL

Because the temperature of a gas affects its density resulting in the amount of light absorbed by that gas, it is important to reduce the effect of fluctuations in ambient temperature on the T300's measurement of CO for the T300 Analyzer. To accomplish this both the temperature of the sample chamber and the GFC Wheel are maintained at constant temperatures above their normal operating ranges.

BENCH TEMPERATURE

To minimize the effects of ambient temperature variations on the sample measurement, the sample chamber is heated to 48°C (8 degrees above the maximum suggested ambient operating temperature for the analyzer). A strip heater attached to the underside of the chamber housing is the heat source. The temperature of the sample chamber is sensed by a thermistor, also attached to the sample chamber housing.

WHEEL TEMPERATURE

To minimize the effects of temperature variations caused by the near proximity of the IR Source to the GFC Wheel on the gases contained in the wheel, it is also raised to a high temperature level. Because the IR Source itself is very hot, the set point for this heat circuit is 68°C. A cartridge heater implanted into the heat sync on the motor is the heat source. The temperature of the wheel/motor assembly is sensed by a thermistor also inserted into the heat sync.

Both heaters operate off of the AC line voltage supplied to the instrument.

13.4.2.2. IR SOURCE

The light used to detect CO in the sample chamber is generated by an element heated to approximately 1100°C producing infrared radiation across a broad band. This radiation is optically filtered after it has passed through the GFC Wheel and the sample chamber and just before it reaches the photo-detector to eliminate all black body radiation and other extraneous IR emitted by the various components of those components.

13.4.2.3. GFC WHEEL

A synchronous AC motor turns the GFC Wheel motor. For analyzers operating on 60Hz line power this motor turns at 1800 rpm. For those operating on 50Hz line power the spin rate is 1500 rpm. The actual spin rate is unimportant within a large range since a phase lock loop circuit is used to generate timing pulses for signal processing.

In order to accurately interpret the fluctuations of the IR beam after it has passed through the sample gas, the GFC Wheel several other timing signals are produced by

other photo emitters/detectors. These devices consist of a combination LED and detector mounted so that the light emitted by the LED shines through the same mask on the GFC Wheel that chops the IR beam.

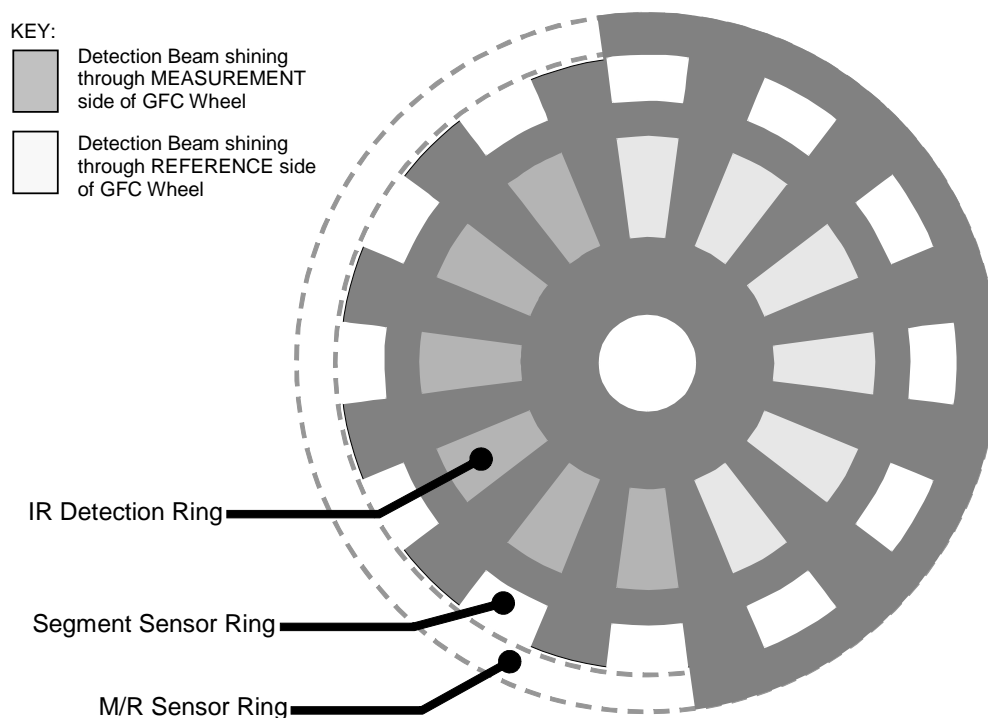


Figure 13-11: GFC Light Mask

M/R SENSOR

This emitter/detector assembly produces a signal that shines through a portion of the mask that allows light to pass for half of a full revolution of the wheel. The resulting light signal tells the analyzer whether the IR beam is shining through the measurement or the reference side of the GFC Wheel.

SEGMENT SENSOR

Light from this emitter/detector pair shines through a portion of the mask that is divided into the same number of segments as the IR detector ring. It is used by the synchronous/demodulation circuitry of the analyzer to latch onto the most stable part of each measurement and reference IR pulse.

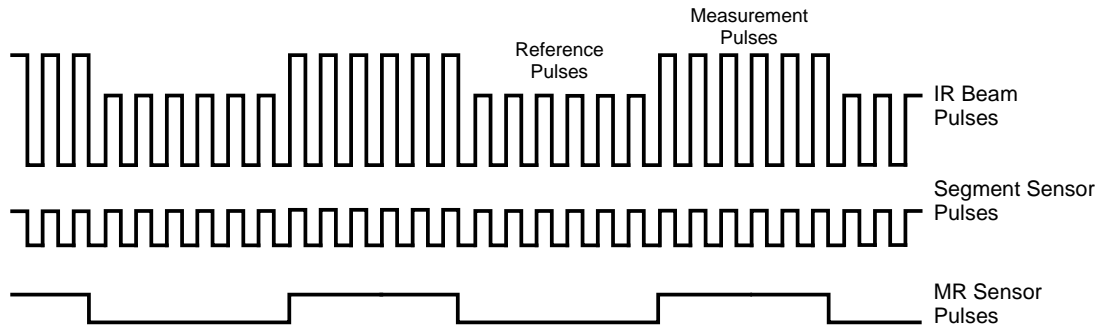


Figure 13-12: Segment Sensor and M/R Sensor Output

SCHMIDT TRIGGERS

To ensure that the waveforms produced by the Segment Sensor and the M/R Sensor are properly shaped and clean, these signals are passed through a set of Schmidt Triggers circuits.

13.4.2.4. IR PHOTO-DETECTOR

The IR beam is converted into an electrical signal by a cooled solid-state photo-conductive detector. The detector is composed of a narrow-band optical filter, a piece of lead-salt crystal whose electrical resistance changes with temperature, and a two-stage thermo-electric cooler.

When the analyzer is on, a constant electrical current is directed through the detector. The IR beam is focused onto the detector surface, raising its temperature and lowering its electrical resistance that results in a change in the voltage drop across the detector.

During those times that the IR beam is bright, the temperature of the detector is high; the resistance of the detector is correspondingly low and its output voltage output is low. During those times when the IR beam intensity is low or completely blocked by the GFC Wheel mask, the temperature of the detector is lowered by the two-stage thermo-electric cooler, increasing the detector's resistance and raising the output voltage.

13.4.3. SYNCHRONOUS DEMODULATOR (SYNC/DEMODO) ASSEMBLY

While the photo-detector converts fluctuations of the IR beam into electronic signals, the Sync/Demod Board amplifies these signals and converts them into usable information. Initially the output by the photo-detector is a complex and continuously changing waveform made up of Measure and Reference pulses. The sync/demod board demodulates this waveform and outputs two analog DC voltage signals, corresponding to the peak values of these pulses. **CO MEAS** and **CO REF** are converted into digital signals by circuitry on the motherboard then used by the CPU to calculate the CO concentration of the sample gas.

Additionally the synch/demod board contains circuitry that controls the photo-detector's thermoelectric cooler as well as circuitry for performing certain diagnostic tests on the analyzer.

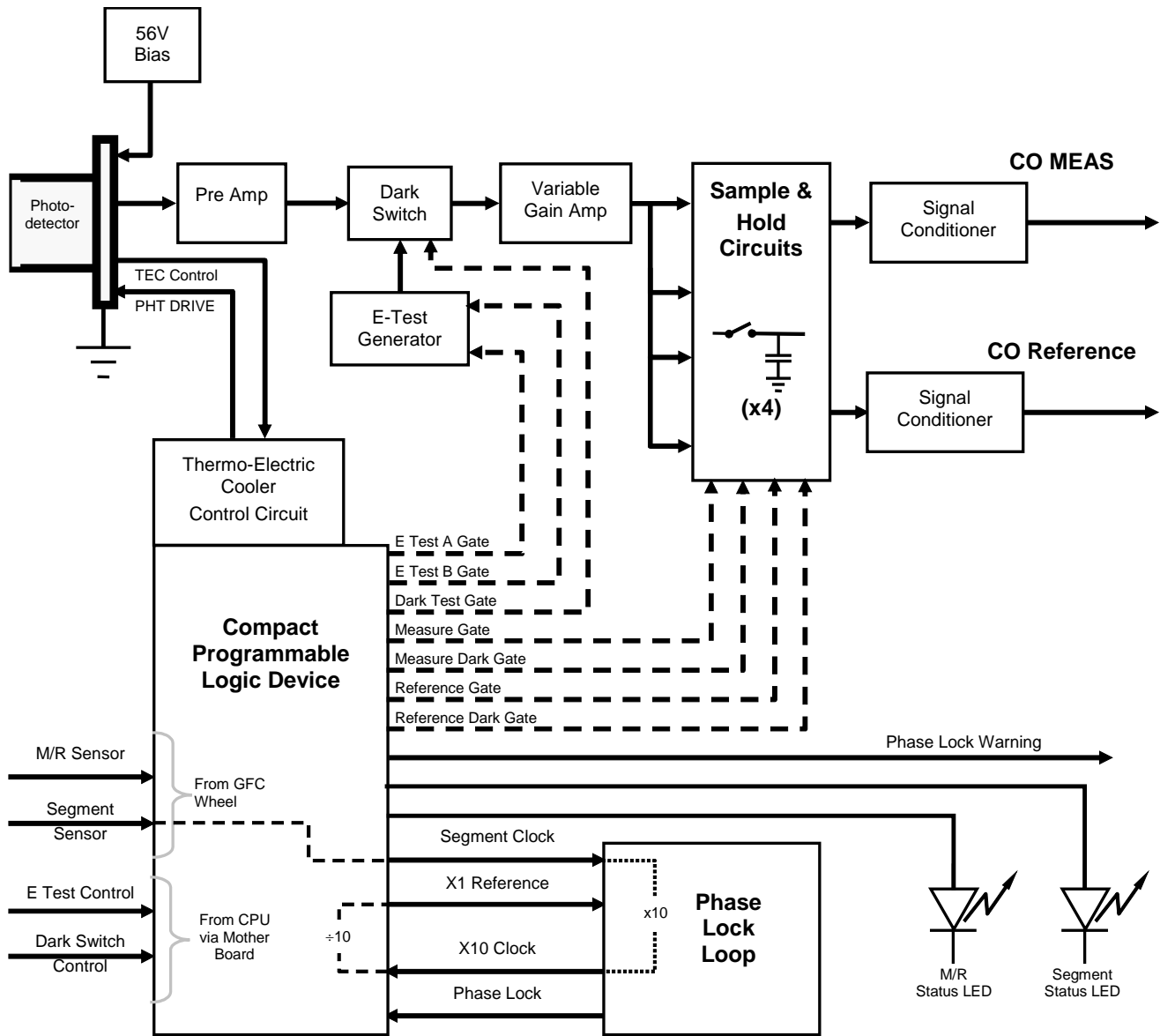


Figure 13-13: T300/T300M Sync/Demod Block Diagram

13.4.3.1. SIGNAL SYNCHRONIZATION AND DEMODULATION

The signal emitted by the IR photo-detector goes through several stages of amplification before it can be accurately demodulated. The first is a pre-amplification stage that raises the signal to levels readable by the rest of the sync/demod board circuitry. The second is a variable amplification stage that is adjusted at the factory to compensate for performance variations of mirrors, detectors, and other components of the optical bench from instrument to instrument.

The workhorses of the sync/demod board are the four sample-and-hold circuits that capture various voltage levels found in the amplified detector signal needed to determine the value of **CO MEAS** and **CO REF**. They are activated by logic signals under the control of a compact Programmable Logic Device (PLD), which in turn responds to the output of the Segment Sensor and M/R Sensor as shown in Figure 13-9.

The four sample and hold circuits are designated as follows:

Table 13-2: Sync DEMOD Sample and Hold Circuits

Designation	Active When:	
	IR BEAM PASSING THROUGH	Segment Sensor Pulse is:
Measure Gate	MEASUREMENT cell of GFC Wheel	HIGH
Measure Dark Gate	MEASUREMENT Cell of GFC Wheel	LOW
Reference Gate	REFERENCE cell of GFC Wheel	HIGH
Reference Dark Gate	REFERENCE cell of GFC Wheel	LOW

Timing for activating the Sample and Hold Circuits is provided by a Phase Lock Loop (PLL) circuit. Using the segment sensor output as a reference signal the PLL generates clock signal at ten times that frequency. This faster clock signal is used by the PLD to make the Sample and Hold Circuits capture the signal during the center portions of the detected waveform, ignore the rising and falling edges of the detector signal.

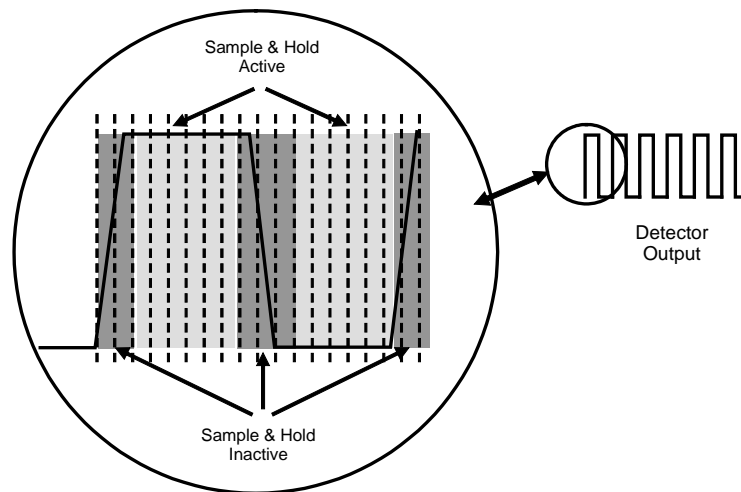


Figure 13-14: Sample & Hold Timing

13.4.3.2. SYNC/DEMOM STATUS LEDs

The following two status LEDs located on the sync/demod board provide additional diagnostic tools for checking the GFC Wheel rotation.

Table 13-3: Sync/Demod Status LED Activity

LED	Function	Status OK	Fault Status
D1	M/R Sensor Status	LED flashes approximately 2/second	LED is stuck ON or OFF
D2	Segment Sensor Status	LED flashes approximately 6/second	LED is stuck ON or OFF

See Section 12.1.4.2 for more information.

13.4.3.3. PHOTO-DETECTOR TEMPERATURE CONTROL

The sync/demod board also contains circuitry that controls the IR photo-detector's Thermal Electric Coolers (TEC). A drive voltage, **PHT DRIVE**, is supplied to the coolers by the sync/demod board which is adjusted by the sync/demod board based on a return signal called TEC control which alerts the sync/demod board of the detector's temperature. The warmer the detector, the harder the coolers are driven.

PHT DRIVE is one of the Test Functions viewable by the user via the form panel. Press <TST or TST> until it appears on the display.

13.4.3.4. DARK CALIBRATION SWITCH

This switch initiates the Dark Calibration procedure. When initiated by the user (See Section 9.6.1 for more details), the dark calibration process opens this switch, interrupting the signal from the IR photo-detector. This allows the analyzer to measure any offset caused by the sync/demod board circuitry.

13.4.3.5. ELECTRIC TEST SWITCH

When active, this circuit generates a specific waveform intended to simulate the function of the IR photo-detector but with a known set of value which is substituted for the detector's actual signal via the dark switch. It may also be initiated by the user (See Section 5.4 for more details).

13.4.4. RELAY BOARD

By actuating various switches and relays located on this board, the CPU controls the status of other key components. The relay board receives instructions in the form of digital signals over the I²C bus, interprets these digital instructions and activates its various switches and relays appropriately.

13.4.4.1. HEATER CONTROL

The two heaters attached to the sample chamber housing and the GFC Wheel motor are controlled by solid state relays located on the relay board.

The GFC Wheel heater is simply turned on or off, however control of the bench heater also includes circuitry that selects which one of its two separate heating elements is activated depending on whether the instrument is running on 100 VAC, 115 VAC or 230 VAC line power.

13.4.4.2. GFC WHEEL MOTOR CONTROL

The GFC Wheel operates from a AC voltage supplied by a multi-input transformer located on the relay board. The step-down ratio of this transformer is controlled by factory-installed jumpers to adjust for 100 VAC, 115 VAC or 230 VAC line power. Other circuitry slightly alters the phase of the AC power supplied to the motor during start up based on whether line power is 50Hz or 60 Hz.

Normally, the GFC Wheel Motor is always turning while the analyzer is on. A physical switch located on the relay board can be used to turn the motor off for certain diagnostic procedures.

13.4.4.3. ZERO/SPAN VALVE OPTIONS

Any zero/span/shutoff valve options installed in the analyzer are controlled by a set of electronic switches located on the relay board. These switches, under CPU control, supply the +12VDC needed to activate each valve's solenoid.

13.4.4.4. IR SOURCE

The relay board supplies a constant 11.5VDC to the IR Source. Under normal operation the IR source is always on.

13.4.4.5. STATUS LEDS

Eight LEDs are located on the analyzer's relay board to show the current status on the various control functions performed by the relay board. They are listed on Table 13-4.

Table 13-4: Relay Board Status LEDs

LED	COLOR	FUNCTION	STATUS WHEN LIT	STATUS WHEN UNLIT
D1	RED	Watch Dog Circuit	Cycles On/Off every 3 seconds under direct control of the analyzer's CPU.	
D2	YELLOW	Wheel Heater	HEATING	NOT HEATING
D3	YELLOW	Bench Heater	HEATING	NOT HEATING
D4	YELLOW	Spare	N/A	N/A
D5	GREEN	Sample/Cal Gas Valve Option	Valve Open to CAL GAS FLOW	Valve Open to SAMPLE Gas Flow
D6	GREEN	Zero/Span Gas Valve Option	Valve Open to SPAN GAS FLOW	Valve Open to ZERO GAS FLOW
D7	GREEN	Shutoff Valve Option	Valve Open to CAL GAS FLOW	Valve CLOSED to CAL GAS FLOW
D8	GREEN	IR SOURCE	Source ON	Source OFF

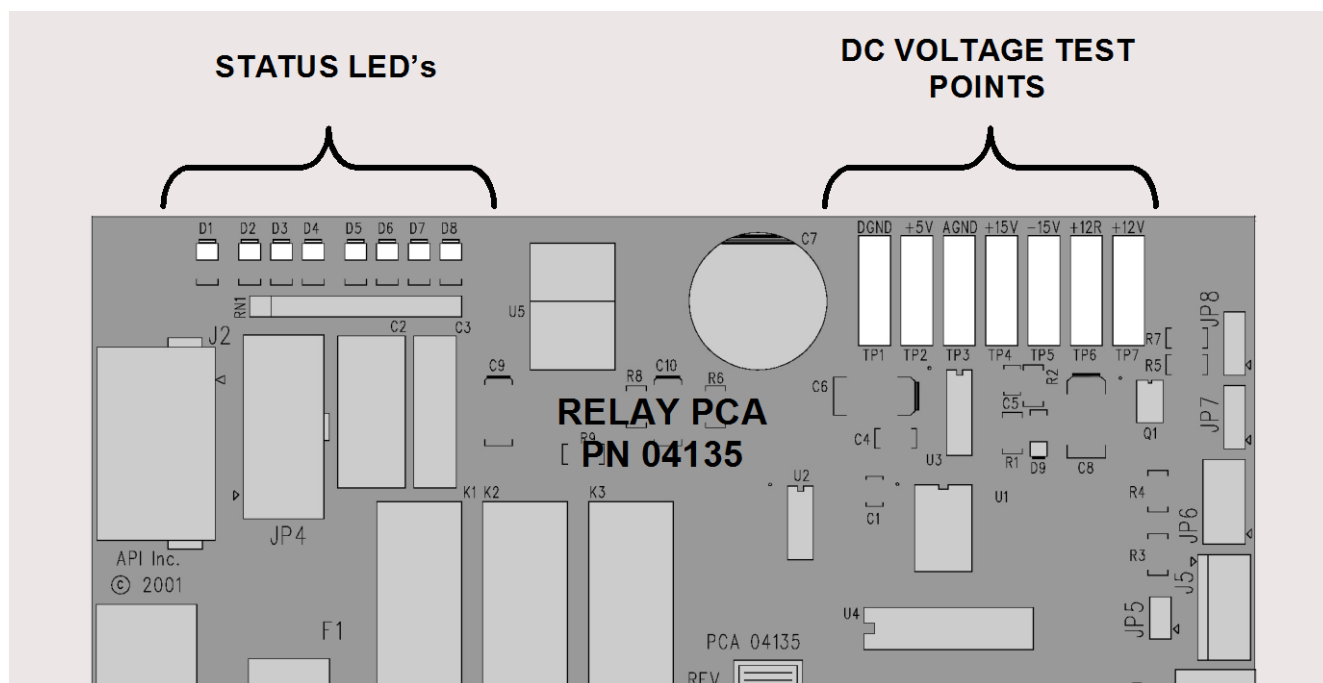


Figure 13-15: Location of relay board Status LEDs

13.4.4.6. I2C WATCH DOG CIRCUITRY

Special circuitry on the relay board monitors the activity on the I²C bus and drives LED D1. Should this LED ever stay ON or OFF for 30 seconds, the watch dog circuit will automatically shut off all valves as well as turn off the IR Source and all heaters. The GFC Wheel motor will still be running as will the Sample Pump, which is not controlled by the relay board.

13.4.5. MOTHERBOARD

This printed circuit assembly provides a multitude of functions including, A/D conversion, digital input/output, PC-104 to I²C translation, temperature sensor signal processing and is a pass through for the RS-232 and RS-485 signals.

13.4.5.1. A TO D CONVERSION

Analog signals, such as the voltages received from the analyzer's various sensors, are converted into digital signals that the CPU can understand and manipulate by the analog to digital converter (A/D). Under the control of the CPU, this functional block selects a particular signal input (e.g. BOX TEMP, **CO MEAS**, **CO REF**, etc.) then converts the selected voltage into a digital word.

The A/D consists of a Voltage-to-Frequency (V-F) converter, a Programmable Logic Device (PLD), three multiplexers, several amplifiers and some other associated devices. The V-F converter produces a frequency proportional to its input voltage. The PLD counts the output of the V-F during a specified time period, and sends the result of that count, in the form of a binary number, to the CPU.

The A/D can be configured for several different input modes and ranges but in the T300/T300M is used in uni-polar mode with a +5 V full scale. The converter includes a 1% over and under-range. This allows signals from -0.05 V to +5.05 V to be fully converted.

For calibration purposes, two reference voltages are supplied to the A/D converter: Reference Ground and +4.096 VDC. During calibration, the device measures these two voltages, outputs their digital equivalent to the CPU. The CPU uses these values to compute the converter's offset and slope and uses these factors for subsequent conversions.

See Section 5.9.3.2 for instructions on performing this calibration.

13.4.5.2. SENSOR INPUTS

The key analog sensor signals are coupled to the A/D through the master multiplexer from two connectors on the motherboard. 100K terminating resistors on each of the inputs prevents cross talk from appearing on the sensor signals.

CO MEASURE AND REFERENCE

These are the primary signals that are used in the computation of the CO concentration. They are the demodulated IR-sensor signals from the sync demodulator board.

SAMPLE PRESSURE AND FLOW

These are analog signals from two sensors that measure the pressure and flow rate of the gas stream at the outlet of the sample chamber. This information is used in two ways. First, the sample pressure is used by the CPU to calculate CO concentration. Second, the pressure and flow rate are monitored as a test function to assist the user in predicting and troubleshooting failures.

13.4.5.3. THERMISTOR INTERFACE

This circuit provides excitation, termination and signal selection for several negative coefficient thermistor temperature sensors located inside the analyzer. They are as follows:

SAMPLE TEMPERATURE SENSOR

The source of this signal is a thermistor located inside the sample chamber of the Optical Bench. It measures the temperature of the sample gas in the chamber. This data is used to during the calculation of the CO concentration value.

BENCH TEMPERATURE SENSOR

This thermistor is attached to the sample chamber housing. It reports the current temperature of the chamber housing to the CPU as part of the bench heater control loop.

WHEEL TEMPERATURE SENSOR

This thermistor is attached to the heatsink on the GFC Wheel motor assembly. It reports the current temperature of the wheel/motor assembly to the CPU as part of the Wheel Heater control loop.

BOX TEMPERATURE SENSOR

A thermistor is attached to the motherboard. It measures the analyzer's internal temperature. This information is stored by the CPU and can be viewed by the user for troubleshooting purposes via the front panel display (see Section 12.1.2).

13.4.5.4. ANALOG OUTPUTS

The analyzer comes equipped with four analog outputs: **A1**, **A2**, **A3** and **A4**. The type of data and electronic performance of these outputs are configurable by the user (see Section 5.4).

OUTPUT LOOP-BACK

All four analog outputs are connected back to the A/D converter through a loop-back circuit. This permits the voltage outputs to be calibrated by the CPU without need for any additional tools or fixtures.

13.4.5.5. INTERNAL DIGITAL I/O

This channel is used to communicate digital status and control signals about the operation of key components of the Optical Bench. The CPU sends signals to the sync/demod board that initiate the **ELECTRICAL TEST** and **DARK CALIBRATION** procedures.

13.4.5.6. EXTERNAL DIGITAL I/O

This External Digital I/O performs two functions: status outputs and control inputs.

STATUS OUTPUTS

Logic-Level voltages are output through an optically isolated 8-pin connector located on the rear panel of the analyzer. These outputs convey good/bad and on/off information

about certain analyzer conditions. They can be used to interface with certain types of programmable devices (See Section 3.3.1.4).

CONTROL INPUTS

By applying +5VDC power supplied from an external source such as a PLC or Data logger (See Section 3.3.1.6), Zero and Span calibrations can be initiated by contact closures on the rear panel.

POWER UP CIRCUIT

This circuit monitors the +5V power supply during start-up and sets the analog outputs, external digital I/O ports, and I²C circuitry to specific values until the CPU boots and the instrument software can establish control.

13.4.6. I²C DATA BUS

I²C is a two-wire, clocked, bi-directional, digital serial I/O bus that is used widely in commercial and consumer electronic systems. A transceiver on the motherboard converts data and control signals from the PC-104 bus to I²C. The data is then fed to the relay board, optional analog input board and valve driver board circuitry.

13.4.7. POWER SUPPLY/ CIRCUIT BREAKER

The analyzer operates on 100 VAC, 115 VAC or 230 VAC power at either 50Hz or 60Hz. Individual units are set up at the factory to accept any combination of these five attributes. As illustrated in Figure 13-14, power enters the analyzer through a standard IEC 320 power receptacle located on the rear panel of the instrument. From there it is routed through the ON/OFF Switch located in the lower right corner of the Front Panel. A 6.75 Amp circuit breaker is built into the ON/OFF Switch.

AC power is distributed directly to the sample gas pump. The bench and GFC Wheel heaters as well as the GFC Wheel receive AC power via the relay board.

AC Line power is converted stepped down and converted to DC power by two DC power supplies. One supplies +12 VDC, for valves and the IR source, while a second supply provides +5 VDC and ±15 VDC for logic and analog circuitry. All DC voltages are distributed via the relay board.



CAUTION GENERAL SAFETY HAZARD

Should the AC power circuit breaker trip, investigate and correct the condition causing this situation before turning the analyzer back on.

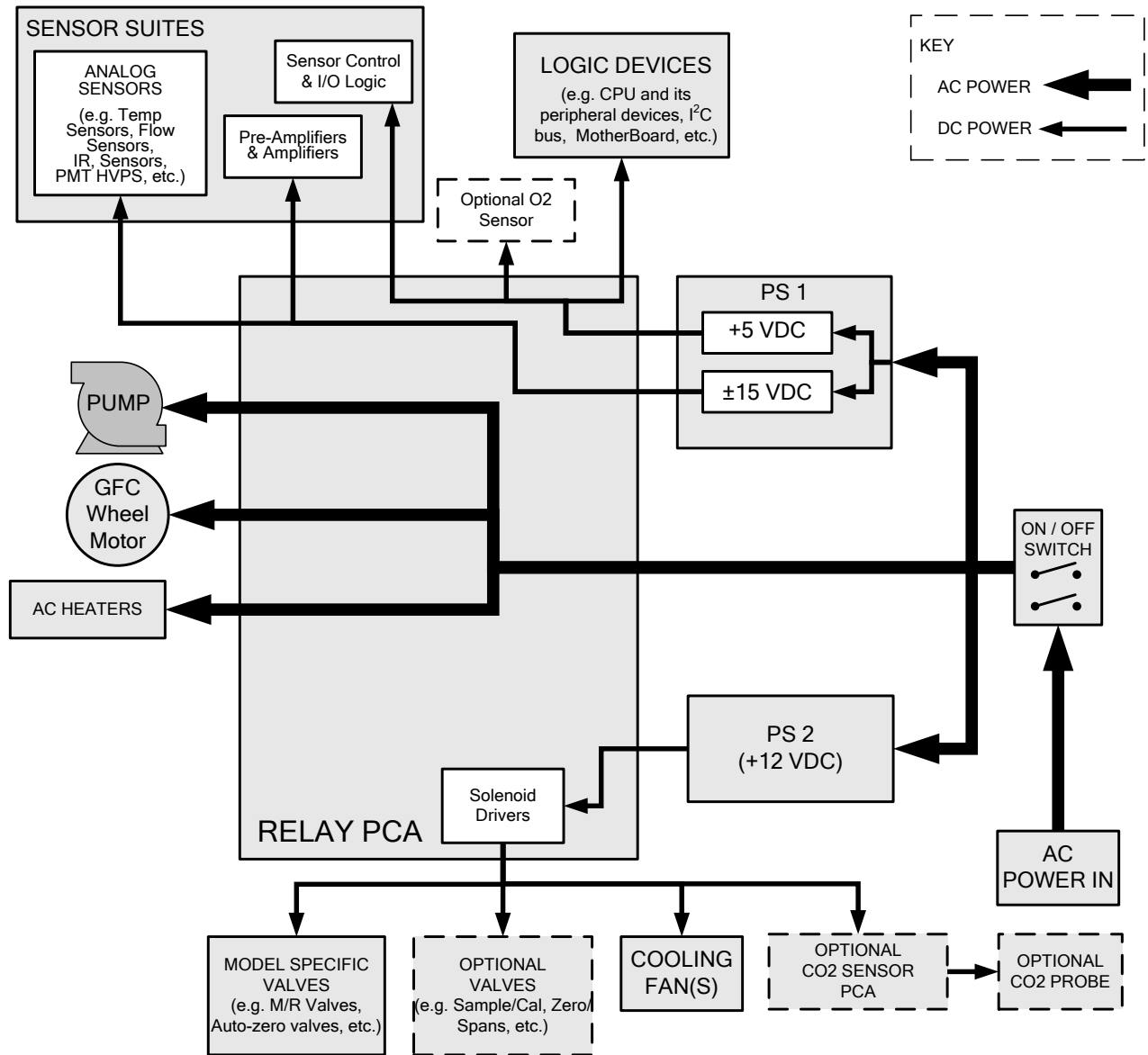


Figure 13-16: Power Distribution Block Diagram

13.4.8. FRONT PANEL TOUCHSCREEN/DISPLAY INTERFACE

Users can input data and receive information directly through the front panel touchscreen display. The LCD display is controlled directly by the CPU board. The touchscreen is interfaced to the CPU by means of a touchscreen controller that connects to the CPU via the internal USB bus and emulates a computer mouse.

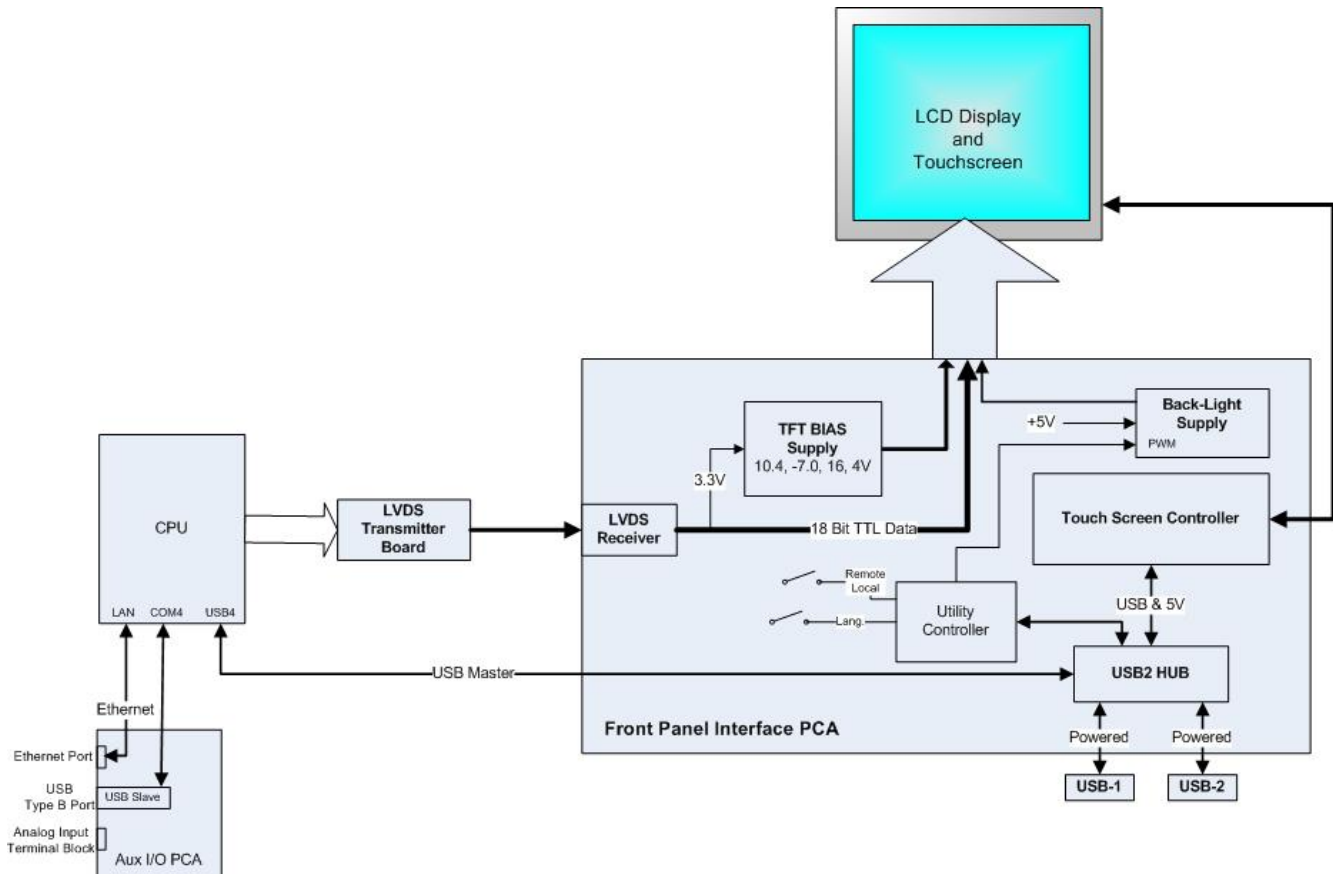


Figure 13-17: Front Panel and Display Interface Block Diagram

13.4.8.1. LVDS TRANSMITTER BOARD

The LVDS (low voltage differential signaling) transmitter board converts the parallel display bus to a serialized, low voltage, differential signal bus in order to transmit the video signal to the LCD interface PCA.

13.4.8.2. FRONT PANEL TOUCHSCREEN/DISPLAY INTERFACE PCA

The front panel touchscreen/display interface PCA controls the various functions of the display and touchscreen. For driving the display it provides connection between the CPU video controller and the LCD display module. This PCA also contains:

- power supply circuitry for the LCD display module
- a USB hub that is used for communications with the touchscreen controller and the two front panel USB device ports
- the circuitry for powering the display backlight

13.5. SOFTWARE OPERATION

The T300/T300M Gas Filter Correlation Carbon Monoxide Analyzer has a high performance, VortexX86-based microcomputer running Windows CE. Inside Windows CE, special software developed by Teledyne ML interprets user commands via the various interfaces, performs procedures and tasks, stores data in the CPU's various memory devices and calculates the concentration of the sample gas.

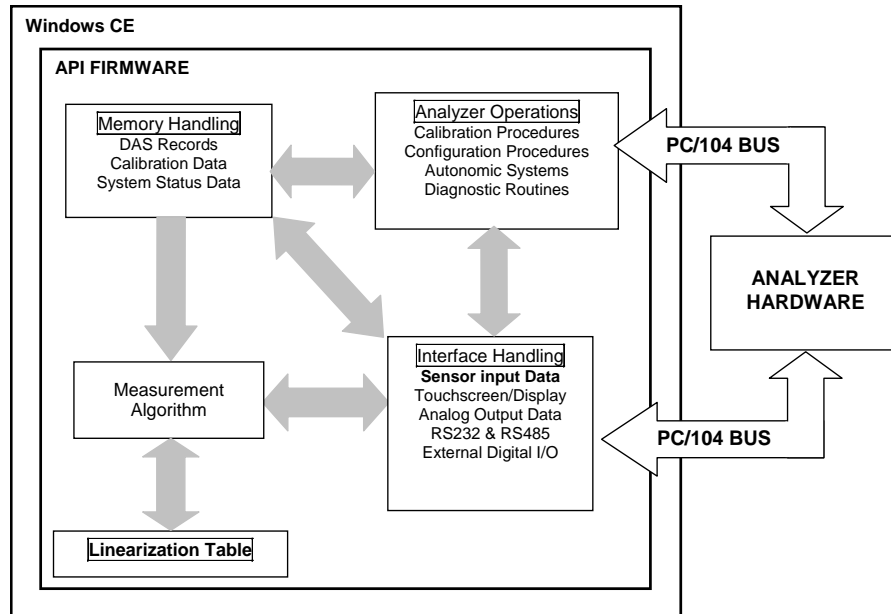


Figure 13-18: Basic Software Operation

13.5.1. ADAPTIVE FILTER

The T300/T300M software processes the **CO MEAS** and **CO REF** signals, after they are digitized by the motherboard, through an adaptive filter built into the software. Unlike other analyzers that average the output signal over a fixed time period, the T300/T300M averages over a set number of samples, where each sample is 0.2 seconds. This technique is known as boxcar averaging. During operation, the software automatically switches between two different length filters based on the conditions at hand. Once triggered, the short filter remains engaged for a fixed time period to prevent chattering.

During conditions of constant or nearly constant concentration the software, by default, computes an average of the last 750 samples, or approximately 150 seconds. This provides the calculation portion of the software with smooth stable readings. If a rapid change in concentration is detected the filter includes, by default, the last 48 samples, approximately 10 seconds of data, to allow the analyzer to more quickly respond. If necessary, these boxcar lengths can be changed between 1 and 1000 samples but with corresponding tradeoffs in rise time and signal-to-noise ratio (contact customer service for more information).

Two conditions must be simultaneously met to switch to the short filter. First the instantaneous concentration must exceed the average in the long filter by a fixed amount. Second the instantaneous concentration must exceed the average in the long filter by a portion, or percentage, of the average in the long filter.

13.5.2. CALIBRATION - SLOPE AND OFFSET

Calibration of the analyzer is performed exclusively in software.

During instrument calibration (see Section 9) the user enters expected values for zero and span via the front panel control buttons and commands the instrument to make readings of calibrated sample gases for both levels. The readings taken are adjusted, linearized, and compared to the expected values. With this information the software computes values for instrument slope and offset and stores these values in memory for use in calculating the CO concentration of the sample gas.

The instrument slope and offset values recorded during the last calibration are available for viewing from the front panel (see Section 3.4.3).

13.5.3. MEASUREMENT ALGORITHM

Once the IR photo-detector signal is demodulated into **CO MEAS** and **CO REF** by the sync/demod board and converted to digital data by the motherboard, the T300/T300M analytical software calculates the ratio of **CO MEAS** to **CO REF**. This value is compared to a look-up table that is used, with interpolation, to linearize the response of the instrument. The linearized concentration value is combined with calibration slope and offset values, then normalized for changes in sample gas pressure to produce the final CO concentration. This is the value that is displayed on the instrument front panel display and is stored in memory by the analyzer's DAS system.

13.5.4. TEMPERATURE AND PRESSURE COMPENSATION

Changes in pressure can have a noticeable effect on the CO concentration calculation. To account for this, the T300/T300M software includes a feature which allows the instrument to compensate for the CO calculations based on changes in ambient pressure.

The TPC feature multiplies the analyzer's CO concentration by a factor which is based on the difference between the ambient pressure of the sample gas and standard atmospheric pressure. As ambient pressure increases, the compensated CO concentration is decreased.

13.5.5. INTERNAL DATA ACQUISITION SYSTEM (DAS)

The DAS is designed to implement predictive diagnostics that stores trending data for users to anticipate when an instrument will require service. Large amounts of data can be stored in non-volatile memory and retrieved in plain text format for further processing with common data analysis programs. The DAS has a consistent user interface in all Teledyne ML analyzers. New data parameters and triggering events can be added to the instrument as needed.

Depending on the sampling frequency and the number of data parameters the DAS can store several months of data, which are retained even when the instrument is powered off or a new firmware is installed. The DAS permits users to access the data through the instrument's front panel or the remote interface. The latter can automatically download stored data for further processing. For information on using the DAS, refer to Section 7.

14. A PRIMER ON ELECTRO-STATIC DISCHARGE

Teledyne ML considers the prevention of damage caused by the discharge of static electricity to be extremely important part of making sure that your analyzer continues to provide reliable service for a long time. This section describes how static electricity occurs, why it is so dangerous to electronic components and assemblies as well as how to prevent that damage from occurring.

14.1. HOW STATIC CHARGES ARE CREATED

Modern electronic devices such as the types used in the various electronic assemblies of your analyzer are very small, require very little power, and operate very quickly. Unfortunately, the same characteristics that allow them to do these things also make them very susceptible to damage from the discharge of static electricity. Controlling electrostatic discharge begins with understanding how electro-static charges occur in the first place.

Static electricity is the result of something called triboelectric charging which happens whenever the atoms of the surface layers of two materials rub against each other. As the atoms of the two surfaces move together and separate, some electrons from one surface are retained by the other.

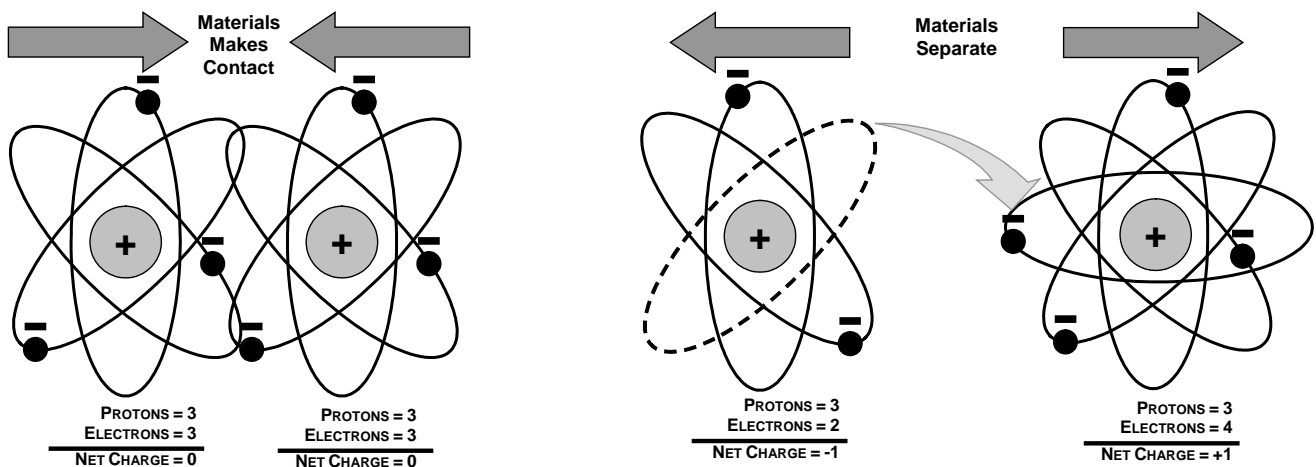


Figure 14-1: Triboelectric Charging

If one of the surfaces is a poor conductor or even a good conductor that is not grounded, the resulting positive or negative charge cannot bleed off and becomes trapped in place,

or static. The most common example of triboelectric charging happens when someone wearing leather or rubber soled shoes walks across a nylon carpet or linoleum tiled floor. With each step, electrons change places and the resulting electro-static charge builds up, quickly reaching significant levels. Pushing an epoxy printed circuit board across a workbench, using a plastic handled screwdriver or even the constant jostling of Styrofoam™ pellets during shipment can also build hefty static charges.

Table 14-1: Static Generation Voltages for Typical Activities

MEANS OF GENERATION	65-90% RH	10-25% RH
Walking across nylon carpet	1,500V	35,000V
Walking across vinyl tile	250V	12,000V
Worker at bench	100V	6,000V
Poly bag picked up from bench	1,200V	20,000V
Moving around in a chair padded with urethane foam	1,500V	18,000V

14.2. HOW ELECTRO-STATIC CHARGES CAUSE DAMAGE

Damage to components occurs when these static charges come into contact with an electronic device. Current flows as the charge moves along the conductive circuitry of the device and the typically very high voltage levels of the charge overheat the delicate traces of the integrated circuits, melting them or even vaporizing parts of them. When examined by microscope the damage caused by electro-static discharge looks a lot like tiny bomb craters littered across the landscape of the component's circuitry.

A quick comparison of the values in Table 14-1 with the those shown in the Table 14-2, listing device susceptibility levels, shows why *Semiconductor Reliability News* estimates that approximately 60% of device failures are the result of damage due to electro-static discharge.

Table 14-2: Sensitivity of Electronic Devices to Damage by ESD

DEVICE	DAMAGE SUSCEPTIBILITY VOLTAGE RANGE	
	DAMAGE BEGINS OCCURRING AT	CATASTROPHIC DAMAGE AT
MOSFET	10	100
VMOS	30	1800
NMOS	60	100
GaAsFET	60	2000
EPROM	100	100
JFET	140	7000
SAW	150	500
Op-AMP	190	2500
CMOS	200	3000
Schottky Diodes	300	2500
Film Resistors	300	3000
This Film Resistors	300	7000
ECL	500	500
SCR	500	1000
Schottky TTL	500	2500

Potentially damaging electro-static discharges can occur:

- Any time a charged surface (including the human body) discharges to a device. Even simple contact of a finger to the leads of a sensitive device or assembly can allow enough discharge to cause damage. A similar discharge can occur from a charged conductive object, such as a metallic tool or fixture.
- When static charges accumulated on a sensitive device discharges from the device to another surface such as packaging materials, work surfaces, machine surfaces or other device. In some cases, charged device discharges can be the most destructive.
- A typical example of this is the simple act of installing an electronic assembly into the connector or wiring harness of the equipment in which it is to function. If the assembly is carrying a static charge, as it is connected to ground a discharge will occur.
- Whenever a sensitive device is moved into the field of an existing electro-static field, a charge may be induced on the device in effect discharging the field onto the device. If the device is then momentarily grounded while within the electrostatic field or removed from the region of the electrostatic field and grounded somewhere else, a second discharge will occur as the charge is transferred from the device to ground.

14.3. COMMON MYTHS ABOUT ESD DAMAGE

- **I didn't feel a shock so there was no electro-static discharge:** The human nervous system isn't able to feel a static discharge of less than 3500 volts. Most devices are damaged by discharge levels much lower than that.
- **I didn't touch it so there was no electro-static discharge:** Electro Static charges are fields whose lines of force can extend several inches or sometimes even feet away from the surface bearing the charge.
- **It still works so there was no damage:** Sometimes the damage caused by electro-static discharge can completely sever a circuit trace causing the device to fail immediately. More likely, the trace will be only partially occluded by the damage causing degraded performance of the device or worse, weakening the trace. This weakened circuit may seem to function fine for a short time, but even the very low voltage and current levels of the device's normal operating levels will eat away at the defect over time causing the device to fail well before its designed lifetime is reached.
- These latent failures are often the most costly since the failure of the equipment in which the damaged device is installed causes down time, lost data, lost productivity, as well as possible failure and damage to other pieces of equipment or property.
- **Static Charges can't build up on a conductive surface:** There are two errors in this statement.
- **Conductive devices can build static charges if they are not grounded.** The charge will be equalized across the entire device, but without access to earth ground, they are still trapped and can still build to high enough levels to cause damage when they are discharged.
- **A charge can be induced onto the conductive surface and/or discharge triggered in the presence of a charged field such as a large static charge clinging to the surface of a nylon jacket of someone walking up to a workbench.**
- **As long as my analyzer is properly installed, it is safe from damage caused by static discharges:** It is true that when properly installed the chassis ground of your analyzer is tied to earth ground and its electronic components are prevented from building static electric charges themselves. This does not prevent discharges from

static fields built up on other things, like you and your clothing, from discharging through the instrument and damaging it.

14.4. BASIC PRINCIPLES OF STATIC CONTROL

It is impossible to stop the creation of instantaneous static electric charges. It is not, however difficult to prevent those charges from building to dangerous levels or prevent damage due to electro-static discharge from occurring.

14.4.1. GENERAL RULES

Only handle or work on all electronic assemblies at a properly set up ESD station. Setting up an ESD safe workstation need not be complicated. A protective mat properly tied to ground and a wrist strap are all that is needed to create a basic anti-ESD workstation.

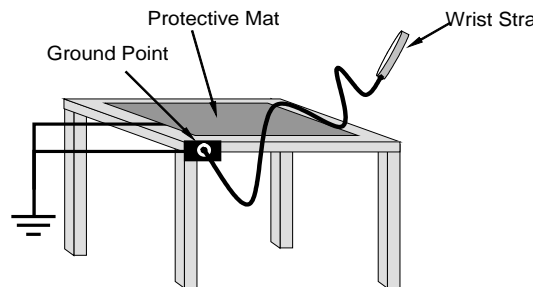


Figure 14-2: Basic anti-ESD Workbench

For technicians that work in the field, special lightweight and portable anti-ESD kits are available from most suppliers of ESD protection gear. These include everything needed to create a temporary anti-ESD work area anywhere.

- **Always wear an Anti-ESD wrist strap when working on the electronic assemblies of your analyzer.** An anti-ESD wrist strap keeps the person wearing it at or near the same potential as other grounded objects in the work area and allows static charges to dissipate before they can build to dangerous levels. Anti-ESD wrist straps terminated with alligator clips are available for use in work areas where there is no available grounded plug.

Also, anti-ESD wrist straps include a current limiting resistor (usually around one meg-ohm) that protects you should you accidentally short yourself to the instrument's power supply.

- **Simply touching a grounded piece of metal is insufficient.** While this may temporarily bleed off static charges present at the time, once you stop touching the grounded metal new static charges will immediately begin to re-build. In some conditions, a charge large enough to damage a component can rebuild in just a few seconds.
- **Always store sensitive components and assemblies in anti-ESD storage bags or bins:** Even when you are not working on them, store all devices and assemblies in a closed anti-Static bag or bin. This will prevent induced charges from building up on the device or assembly and nearby static fields from discharging through it.
- **Use metallic anti-ESD bags for storing and shipping ESD sensitive components and assemblies rather than pink-poly bags.** The famous, pink-poly bags are made of a plastic that is impregnated with a liquid (similar to liquid laundry detergent) which very slowly sweats onto the surface of the plastic creating a slightly conductive layer over the surface of the bag.

While this layer may equalizes any charges that occur across the whole bag, it does not prevent the build up of static charges. If laying on a conductive, grounded surface, these bags will allow charges to bleed away but the very charges that build up on the surface of the bag itself can be transferred through the bag by induction onto the circuits of your ESD sensitive device. Also, the liquid impregnating the plastic is eventually used up after which the bag is as useless for preventing damage from ESD as any ordinary plastic bag.

Anti-Static bags made of plastic impregnated with metal (usually silvery in color) provide all of the charge equalizing abilities of the pink-poly bags but also, when properly sealed, create a Faraday cage that completely isolates the contents from discharges and the inductive transfer of static charges.

Storage bins made of plastic impregnated with carbon (usually black in color) are also excellent at dissipating static charges and isolating their contents from field effects and discharges.

- **Never use ordinary plastic adhesive tape near an ESD sensitive device or to close an anti-ESD bag.** The act of pulling a piece of standard plastic adhesive tape, such as Scotch[®] tape, from its roll will generate a static charge of several thousand or even tens of thousands of volts on the tape itself and an associated field effect that can discharge through or be induced upon items up to a foot away.

14.4.2. BASIC ANTI-ESD PROCEDURES FOR ANALYZER REPAIR AND MAINTENANCE

14.4.2.1. WORKING AT THE INSTRUMENT RACK

When working on the analyzer while it is in the instrument rack and plugged into a properly grounded power supply:

1. Attach you anti-ESD wrist strap to ground before doing anything else.
 - Use a wrist strap, terminated with an alligator clip, and attach it to a bare metal portion of the instrument chassis.
 - This will safely connect you to the same ground level to which the instrument and all of its components are connected.
2. Pause for a second or two to allow any static charges to bleed away.
3. Open the casing of the analyzer and begin work. Up to this point, the closed metal casing of your analyzer has isolated the components and assemblies inside from any conducted or induced static charges.

4. If you must remove a component from the instrument, do not lay it down on a non-ESD preventative surface where static charges may lie in wait.
5. Only disconnect your wrist strap after you have finished work and closed the case of the analyzer.

14.4.2.2. WORKING AT AN ANTI-ESD WORK BENCH

When working on an instrument of an electronic assembly while it is resting on a anti-ESD workbench:

1. Plug your anti-ESD wrist strap into the grounded receptacle of the work station before touching any items on the work station and while standing at least a foot or so away. This will allow any charges you are carrying to bleed away through the ground connection of the workstation and prevent discharges due to field effects and induction from occurring.
2. Pause for a second or two to allow any static charges to bleed away.
3. Only open any anti-ESD storage bins or bags containing sensitive devices or assemblies after you have plugged your wrist strap into the workstation.
 - Lay the bag or bin on the workbench surface.
 - Before opening the container, wait several seconds for any static charges on the outside surface of the container to be bled away by the workstation's grounded protective mat.
4. Do not pick up tools that may be carrying static charges while also touching or holding an ESD sensitive device.
 - Only lay tools or ESD-sensitive devices and assemblies on the conductive surface of your workstation. Never lay them down on any non-ESD preventative surface.
5. Place any static sensitive devices or assemblies in anti-static storage bags or bins and close the bag or bin before unplugging your wrist strap.
6. Disconnecting your wrist strap is always the last action taken before leaving the workbench.

14.4.2.3. TRANSFERRING COMPONENTS FROM RACK TO BENCH AND BACK

When transferring a sensitive device from an installed Teledyne ML analyzer to an anti-ESD workbench or back:

1. Follow the instructions listed above for working at the instrument rack and workstation.
2. Never carry the component or assembly without placing it in an anti-ESD bag or bin.
3. Before using the bag or container allow any surface charges on it to dissipate:
 - If you are at the instrument rack, hold the bag in one hand while your wrist strap is connected to a ground point.
 - If you are at an anti-ESD workbench, lay the container down on the conductive work surface.
 - In either case wait several seconds.
4. Place the item in the container.
5. Seal the container. If using a bag, fold the end over and fastening it with anti-ESD tape.

- Folding the open end over isolates the component(s) inside from the effects of static fields.
 - Leaving the bag open or simply stapling it shut without folding it closed prevents the bag from forming a complete protective envelope around the device.
6. Once you have arrived at your destination, allow any surface charges that may have built up on the bag or bin during travel to dissipate:
 - Connect your wrist strap to ground.
 - If you are at the instrument rack, hold the bag in one hand while your wrist strap is connected to a ground point.
 - If you are at an anti-ESD workbench, lay the container down on the conductive work surface
 - In either case wait several seconds
 7. Open the container.

14.4.2.4. OPENING SHIPMENTS FROM TELEDYNE ML CUSTOMER SERVICE

Packing materials such as bubble pack and Styrofoam pellets are extremely efficient generators of static electric charges. To prevent damage from ESD, Teledyne ML ships all electronic components and assemblies in properly sealed anti-ESD containers.

Static charges will build up on the outer surface of the anti-ESD container during shipping as the packing materials vibrate and rub against each other. To prevent these static charges from damaging the components or assemblies being shipped make sure that you:

Always unpack shipments from Teledyne ML Customer Service by:

1. Opening the outer shipping box away from the anti-ESD work area.
2. Carry the still sealed anti-ESD bag, tube or bin to the anti-ESD work area.
3. Follow steps 6 and 7 of Section 14.4.2.3 above when opening the anti-ESD container at the work station.
4. Reserve the anti-ESD container or bag to use when packing electronic components or assemblies to be returned to Teledyne ML.

14.4.2.5. PACKING COMPONENTS FOR RETURN TO TELEDYNE ML CUSTOMER SERVICE

Always pack electronic components and assemblies to be sent to Teledyne ML's Customer Service in anti-ESD bins, tubes or bags.



CAUTION ESD Hazard

- **DO NOT** use pink-poly bags.
- **NEVER** allow any standard plastic packaging materials to touch the electronic component/assembly directly.
 - This includes, but is not limited to, plastic bubble-pack, Styrofoam peanuts, open cell foam, closed cell foam, and adhesive tape.
- **DO NOT** use standard adhesive tape as a sealer. Use **ONLY** anti-ESD tape.

Never carry the component or assembly without placing it in an anti-ESD bag or bin.

1. Before using the bag or container allow any surface charges on it to dissipate:
 - If you are at the instrument rack, hold the bag in one hand while your wrist strap is connected to a ground point.
 - If you are at an anti-ESD workbench, lay the container down on the conductive work surface.
 - In either case wait several seconds.
2. Place the item in the container.
3. Seal the container. If using a bag, fold the end over and fastening it with anti-ESD tape.
 - Folding the open end over isolates the component(s) inside from the effects of static fields.
 - Leaving the bag open or simply stapling it shut without folding it closed prevents the bag from forming a complete protective envelope around the device.

Note

If you do not already have an adequate supply of anti-ESD bags or containers available, Teledyne ML's Customer Service department will supply them (see Section 11.8 for contact information).

Follow the instructions listed above for working at the instrument rack and workstation.

GLOSSARY

Note: Some terms in this glossary may not occur elsewhere in this manual.

Term	Description/Definition
10Base-T	an Ethernet standard that uses twisted (“T”) pairs of copper wires to transmit at 10 megabits per second (Mbps)
100Base-T	same as 10BaseT except ten times faster (100 Mbps)
APICOM	name of a remote control program offered by Teledyne-ML to its customers
ASSY	<i>Assembly</i>
CAS	<i>Code-Activated Switch</i>
CD	<i>Corona Discharge</i> , a frequently luminous discharge, at the surface of a conductor or between two conductors of the same transmission line, accompanied by ionization of the surrounding atmosphere and often by a power loss
CE	<i>Converter Efficiency</i> , the percentage of light energy that is actually converted into electricity
CEM	<i>Continuous Emission Monitoring</i>
Chemical formulas that may be included in this document:	
CO ₂	carbon dioxide
C ₃ H ₈	propane
CH ₄	methane
H ₂ O	water vapor
HC	general abbreviation for hydrocarbon
HNO ₃	nitric acid
H ₂ S	hydrogen sulfide
NO	nitric oxide
NO ₂	nitrogen dioxide
NO _x	nitrogen oxides, here defined as the sum of NO and NO ₂
NO _y	nitrogen oxides, often called odd nitrogen: the sum of NO _x plus other compounds such as HNO ₃ (definitions vary widely and may include nitrate (NO ₃), PAN, N ₂ O and other compounds as well)
NH ₃	ammonia
O ₂	molecular oxygen
O ₃	ozone
SO ₂	sulfur dioxide
cm ³	metric abbreviation for <i>cubic centimeter</i> (replaces the obsolete abbreviation “cc”)
CPU	<i>Central Processing Unit</i>
DAC	<i>Digital-to-Analog Converter</i>

DAS	<i>Data Acquisition System</i>
DCE	<i>Data Communication Equipment</i>
DFU	<i>Dry Filter Unit</i>
DHCP	<i>Dynamic Host Configuration Protocol.</i> A protocol used by LAN or Internet servers to automatically set up the interface protocols between themselves and any other addressable device connected to the network
DIAG	<i>Diagnostics, the diagnostic settings of the analyzer.</i>
DOM	<i>Disk On Module, a 44-pin IDE flash drive with up to 128MB storage capacity for instrument's firmware, configuration settings and data</i>
DOS	<i>Disk Operating System</i>
DRAM	<i>Dynamic Random Access Memory</i>
DR-DOS	<i>Digital Research DOS</i>
DTE	<i>Data Terminal Equipment</i>
EEPROM	<i>Electrically Erasable Programmable Read-Only Memory</i> also referred to as a FLASH chip or drive
ESD	<i>Electro-Static Discharge</i>
ETEST	<i>Electrical Test</i>
Ethernet	a standardized (IEEE 802.3) computer networking technology for local area networks (LANs), facilitating communication and sharing resources
FEP	<i>Fluorinated Ethylene Propylene</i> polymer, one of the polymers that Du Pont markets as <i>Teflon</i> [®]
Flash	non-volatile, solid-state memory
FPI	<i>Fabry-Perot Interface:</i> a special light filter typically made of a transparent plate with two reflecting surfaces or two parallel, highly reflective mirrors
GFC	<i>Gas Filter Correlation</i>
I ² C bus	a clocked, bi-directional, serial bus for communication between individual analyzer components
IC	<i>Integrated Circuit,</i> a modern, semi-conductor circuit that can contain many basic components such as resistors, transistors, capacitors etc in a miniaturized package used in electronic assemblies
IP	<i>Internet Protocol</i>
IZS	<i>Internal Zero Span</i>
LAN	<i>Local Area Network</i>

LCD	<i>Liquid Crystal Display</i>
LED	<i>Light Emitting Diode</i>
LPM	<i>Liters Per Minute</i>
MFC	<i>Mass Flow Controller</i>
M/R	<i>Measure/Reference</i>
MOLAR MASS	<p>the mass, expressed in grams, of 1 mole of a specific substance. Conversely, one mole is the amount of the substance needed for the molar mass to be the same number in grams as the atomic mass of that substance.</p> <p>EXAMPLE: The atomic weight of Carbon is 12 therefore the molar mass of Carbon is 12 grams. Conversely, one mole of carbon equals the amount of carbon atoms that weighs 12 grams.</p> <p>Atomic weights can be found on any Periodic Table of Elements.</p>
NDIR	<i>Non-Dispersive Infrared</i>
NIST-SRM	<i>National Institute of Standards and Technology - Standard Reference Material</i>
PC	<i>Personal Computer</i>
PCA	<i>Printed Circuit Assembly, the PCB with electronic components, ready to use</i>
PC/AT	<i>Personal Computer / Advanced Technology</i>
PCB	<i>Printed Circuit Board, the bare board without electronic component</i>
PFA	<i>Perfluoroalkoxy, an inert polymer; one of the polymers that Du Pont markets as Teflon[®]</i>
PLC	<i>Programmable Logic Controller, a device that is used to control instruments based on a logic level signal coming from the analyzer</i>
PLD	<i>Programmable Logic Device</i>
PLL	<i>Phase Lock Loop</i>
PMT	<i>Photo Multiplier Tube, a vacuum tube of electrodes that multiply electrons collected and charged to create a detectable current signal</i>
P/N (or PN)	<i>Part Number</i>
PSD	<i>Prevention of Significant Deterioration</i>
PTFE	<i>Polytetrafluoroethylene, a very inert polymer material used to handle gases that may react on other surfaces; one of the polymers that Du Pont markets as Teflon[®]</i>
PVC	<i>Poly Vinyl Chloride, a polymer used for downstream tubing</i>
Rdg	Reading
RS-232	specification and standard describing a serial communication method between DTE (Data Terminal Equipment) and DCE (Data Circuit-terminating Equipment) devices, using a maximum cable-length of 50 feet

RS-485	specification and standard describing a binary serial communication method among multiple devices at a data rate faster than RS-232 with a much longer distance between the host and the furthest device
SAROAD	<i>Storage and Retrieval of Aerometric Data</i>
SLAMS	<i>State and Local Air Monitoring Network Plan</i>
SLPM	<i>Standard Liters Per Minute of a gas at standard temperature and pressure</i>
STP	<i>Standard Temperature and Pressure</i>
TCP/IP	<i>Transfer Control Protocol / Internet Protocol</i> , the standard communications protocol for Ethernet devices
TEC	<i>Thermal Electric Cooler</i>
TPC	<i>Temperature/Pressure Compensation</i>
USB	<i>Universal Serial Bus</i> : a standard connection method to establish communication between peripheral devices and a host controller, such as a mouse and/or keyboard and a personal computer or laptop
VARS	<i>Variables</i> , the variable settings of the instrument
V-F	<i>Voltage-to-Frequency</i>
Z/S	<i>Zero / Span</i>

INDEX

6

60 Hz, 37

A

Absorption Path Lengths, 224
AC Power 60 Hz, 37
AIN, 142
ALRM, 87, 143
ANALOG CAL WARNING, 47, 85
Analog Inputs, 142
Analog Outputs, 37, 60, 61, 87, 93, 94, 123,
125–42, 286, 287
AIN CALIBRATION, 142
CONC1, 49
CONC2, 49
Configuration & Calibration, 87, 126, 128, 129, 130,
131, 133, 135, 137, 139, 142
 Automatic, 28, 87, 131
 Manual-Current Loop, 134, 136
 Manual-Voltage, 132
Electrical Connections, 37
Electronic Range Selection, 96, 127
Output Loop Back, 242
Over-Range Feature, 137
Pin Assignments, 38
Recorder Offset, 139
Reporting Range, 49, 87
Test Channel, 140
 BENCH TEMP, 140
 CHASSIS TEMP, 140
 CO MEASURE, 140
 CO REFERENCE, 140
 NONE, 140
 O₂ CELL TEMP, 140
 PHT DRIVE, 140
 SAMPLE FLOW, 140
 SAMPLE PRESS, 140
 SAMPLE TEMP, 140
 WHEEL TEMP, 140
AOUT Calibration Feature, 129
APICOM, 23, 56, 103, 105, 115, 119, 149, 177,
182, 253
 and DAS System, 104, 108, 113, 115, 116, 118, 119
 and Ethernet, 162
 Interface Example, 177
 Software Download, 119, 177
ATIMER, 104, 108, 110
AutoCal, 56, 62, 84, 87, 129, 179, 192, 193,
194, 216
AZERO, 175

B

Baud Rate, 168
Beer-Lambert law, 23
BENCH TEMP, 84, 262
BENCH TEMP WARNING, 47, 85, 175, 260
Bench Temperature
 Control, 234
BENCH_HEATER, 268
BOX TEMP, 47, 84, 175, 262, 276
BOX TEMP WARNING, 47, 85, 175, 260
brass, 43, 180, 276

C

CAL Button, 55, 86
CALDAT, 105
Calibration
 AIN, 142
 Analog Outputs, 28, 87, 131
 Analog Outputs
 Current Loop, 134, 136
 Voltage, 132
 Initial Calibration
 Basic Configuration, 49
Calibration Checks, 182, 189
Calibration Gases, 180
 Span Gas, 23, 44, 55, 64, 66, 68, 70, 185, 190
 Dilution Feature, 101
 Standard Reference Materials (SRM's)
 CO Span Gas, 42
 Zero Air, 23, 31, 44, 62, 64, 66, 68, 70, 180
CALC Button, 55, 86, 187
CALZ Button, 86, 187
CANNOT DYN SPAN, 47, 85, 175, 260
CANNOT DYN ZERO, 47, 85, 175, 260
Carbon Monoxide, 23, 62, 220
Carrying Strap/Handle, 60
CLOCK_ADJ, 92, 121
CO Concentration Alarms, 143
CO MEAS, 84, 200, 226, 227, 231, 236, 237,
241, 246, 247, 252, 253, 262, 275, 278, 282,
294, 295
CO REF, 82, 84, 200, 226, 227, 231, 236, 237,
241, 246, 247, 262, 275, 278, 282
CO₂, 39, 41, 42, 49, 54, 56, 73, 74, 75, 76, 81,
84, 99, 121, 125, 172, 175, 179, 181, 199,
207, 208, 209, 216, 290
CO₂ OFFSET, 84
CO₂ Sensor, 39, 41, 42, 54, 73, 74, 75, 84,
175, 181, 207, 208

- Calibration**
 - Procedure*, 209
 - Setup*, 207
 - Span Gas Concentration*, 207
 - Troubleshooting, 290
 - CO₂ Sensor Option
 - Pneumatic Set Up for Calibration, 207
 - CO₂ SLOPE, 84
 - COMM Ports, 40, 146, 149, 156, 168
 - and DAS System, 116
 - Baud Rate, 148
 - COM1, 145, 159, 170
 - COM2, 145, 149, 159, 162, 170
 - Communication Modes, 149
 - DCE & DTE, 145
 - Machine ID, 152
 - Parity, 149, 168
 - RS-485, 150
 - testing, 151
 - COMM PORTS
 - Default Settings, 146, 147
 - CONC, 105, 108
 - CONC ALRM1 WARNING, 85, 175
 - CONC ALRM2 WARNING, 85, 175
 - CONC Button, 55, 121
 - CONC VALID, 39, 288
 - CONC_PRECISION, 121
 - CONC1**, 49
 - CONC2**, 49
 - Concentration Field, 28, 46
 - CONFIG INITIALIZED**, 47, 85, 260
 - Contact, 304
 - Continuous Emission Monitoring (CEM), 101
 - Control Buttons Definition Field, 28
 - Control Inputs, 39, 242, 289
 - Pin Assignments, 40
 - Electrical Connections, 39
 - CPU, 47, 73, 75, 85, 88, 92, 93, 103, 125, 142, 147, 159, 162, 200, 201, 231, 233, 236, 239, 240, 241, 242, 257, 260, 262, 264, 265, 267, 289
 - Analog to Digital Converter, 47, 85, 125
 - Critical Flow Orifice, 72, 105, 229, 230, 255, 256, 260, 269, 273, 291
 - Current Loop Outputs, 60, 61, 134, 136
 - Manual Calibration, 134
- D**
- Dark Calibration, 179, 200, 238, 242
 - DAS Parameters
 - editing, 111
 - DAS System, 28, 46, 47, 49, 57, 84, 85, 87, 93, 100, 120, 121, 181, 193, 199, 223, 247, 253, 260, 269
 - and APICOM, 119, 120
 - and RS-232, 120
 - and Terminal Emulation Programs, 120
 - Channel Names, 109
 - Channels, 104, 106, 120
 - CALDAT*, 105
 - CONC*, 105
 - PNUNTC*, 105
 - Compact Data Report, 118
 - HOLD OFF, 46, 104, 117, 121
 - Holdoff Period, 55
 - Number of Records, 104, 115
 - Parameters, 104, 120
 - CONC*, 108
 - NXCNC1*, 108
 - PMTDET*, 104
 - Precision, 111
 - Report Period, 104, 114, 118
 - Sample Mode
 - AVG*, 111, 112, 113, 114
 - INST*, 111, 112, 113, 114
 - MAX*, 111
 - MIN*, 111, 112, 113, 114
 - SDEV*, 111, 112, 113, 114
 - Sample Period, 114
 - Starting Date, 118
 - Store Number of Samples, 111, 112, 114
 - Triggering Events, 104, 110
 - ATIMER*, 104, 108, 110
 - EXITZR*, 110
 - SLPCHG*, 105, 110
 - WTEMPW*, 110
 - DAS_HOLD_OFF, 121
 - data acquisition. See DAS System
 - DATA INITIALIZED**, 47, 85, 260
 - DB-25M, 71, 157
 - DB-9F, 71, 157
 - DC Power, 40
 - DCPS, 175
 - Default Settings
 - COMM Ports, 146, 147
 - DAS System, 104
 - Ethernet, 163
 - Hessen Protocol, 171, 175
 - VARs, 121
 - DHCP, 48, 163
 - DIAG AIO**, 123
 - DIAG AOUT**, 123
 - DIAG ELEC**, 123
 - DIAG FCAL**, 123
 - DIAG I/O**, 123
 - DIAG OPTIC**, 123
 - DIAG TEST CHAN**, 123
 - Diagnostic Menu (DIAG), 87, 89, 90, 286
 - Ain Calibrated, 125, 142
 - Analog I/O
 - Aout Calibration Configuration*, 125
 - AOUT Calibration Configuration*, 130
 - AOUTCalibrated Configuration*, 129
 - Conc_Out_1*, 125
 - Conc_Out_2*, 125
 - Conc_Out_3*, 125
 - Analog I/O Configuration, 123, 126, 128, 129, 130, 131, 133, 135, 137, 139, 142

ANALOG OUTPUT (Step Test), 286
 Analog Output Step Test, 123
 Dark Calibration, 123
 Electrical Test, 123
 Flow Calibration, 123
 Pressure Calibration, 123
 SIGNAL I/O, 123, 264
 Test Channel Output, 123
 Test Output, 125
 Dilution Ratio, 77, 101
 Set Up, 51
 Display Precision, 121
 DUAL, 95, 97, 98, 179
 DYN_SPAN, 121
 DYN_ZERO, 121
 Dynamic Span, 121
 Dynamic Zero, 121

E

Electric Test, 282
 Electric Test Switch, 239
 Electrical Connections, **36–41**
 AC Power, 36, 59
 Analog Outputs, 37, 94
 Current Loop, 134
 Voltage Ranges, 132
 Control Inputs, 39
 Ethernet, 41, 48, 162
 Ethernet, 23
 Modem, 157
 Multidrop, 41
 Serial/COMM Ports, 40, 146, 147
 Status Outputs, 38
 Electrical Test, 123
 Electro-Static Discharge, 303
 ENTR Button, 87, 90, 115, 182
 Environmental Protection Agency (EPA), 42, 56
 Calibration, 86
 Ethernet, 23, **62**, 152, 162, 163
 Configuration, **162–67**
 Property Defaults, 163
 using DHCP, 163
 DHCP, 48, 163
 Gateway IP Address, 166
 HOSTNAME, 167
 Instrument IP Address, 166
 Subnet Mask, 166
 Exhaust Gas, 31, 229
Exhaust Gas Outlet, 31, 45, 64, 66, 68, 70
 EXIT Button, 87
 EXITZR, 110
 External Pump, 59

F

FEP, 43, 58, 180
 Final Test and Validation Data Sheet, 48, 199, 278

Flash Chip, 233
 Front Panel, 27
 Concentration Field, 28, 46
 Display, 46, 123, 140
 Message Field, 28
 Mode Field, 28, 46
 Status LEDs, 28, 46
 Touch screen Definition Field, 28

G

Gas Filter Correlation, 23, 26, 57, 59, 223, 224, 225, 234, 239, 243, 246, 261, 293, 294
 GFC Wheel, 45, 225, 234, 235, 237, 238, 239, 253, 261, 262, 263, 265, 266, 282, 283, 284, 292, 293, 294
 Heater, 239, 243
 Light Mask, 227, 235, 236
 Motor, 239, 240, 242, 279, 283, 292, 293
 Temperature, 47, 84, 85, 140, 277
 GFC Wheel Troubleshooting, 292
 Schmidt Triggers, 235
 Temperature Control, 234
 Gas Inlets
 Sample, 31
 Span, 31
 ZERO AIR, 31
 Gas Outlets
 Exhaust, 31, 45, 64, 66, 68, 70
 Gateway IP Address, 166
 GFC Wheel, 23

H

H₂O, 56
 Hessen Flags
 Internal Span Gas Generator, 175
 Hessen Protocol, 149, 168, 170, 171, 175
 Activation, 169
 and Reporting Ranges, 172
 Default Settings, 171
 Download Manual, 168
 Gas List, 173, 174
 GAS LIST, 172
 ID Code, 176
 Latency Period, 168
 response Mode, 171
 Setup Parameters, 168
 Status Flag
 Default Settings, 175
 Modes, 175
 Unassigned Flags, 175
 Unused Bits, 175
 Warnings, 175
 Status Flags, 175
 types, 170
 HIGH RANGE
 REMOTE, 40
 HNO₃, 56
 Hold Off Period, 55
 Hostname, 167

I

I²C bus, 57, 231, 239, 240, 260, 261, 262, 265, 267, 276, 277, 280

Power Up Circuit, 242

Infrared Radiation (IR), 23, 47, 49, 56, 74, 84, 85, 140, 200, 219, 223, 224, 225, 226, 227, 234, 235, 236, 237, 238, 239, 240, 241, 243, 247, 253, 260, 261, 262, 263, 268, 275, 277, 281, 282, 284

Instrument IP Address, 166

Interferents, 49

Internal Pneumatics

Basic 269

Basic with CO₂ Sensor Option, 75

Basic Configuration, 34

OPTIONAL CO₂ SENSOR, 272

OPTIONAL O₂ SENSOR, 272

Zero/Span Valves, 63, 270

Zero/Span Valves with Internal Scrubber, 67, 271

Zero/Span/Shutoff and Internal Scrubber Option, 271

Zero/Span/Shutoff Valves, 65, 270

Zero/Span/Shutoff valves and Internal Scrubber Option, 69

Internal Pump, 43, 105, 201, 228, 229, 230, 243, 254, 255, 260, 273, 274, 279, 285, 291

Internal Span Gas Generator

AutoCal, 193

Warning Messages, 47

Internal Zero Air (IZS), 31, 41, 63, 65, 67, 69, 216, 217, 273, 281

Gas Flow Problems, 269

L

Local Area Network (LAN), 41, 48, 152, 163

M

Machine ID, 152

Maintenance Schedule, 105

Measure Reference Ratio, 226

Menu Buttons

CAL, 55, 86

CALS, 55, 86, 187

CALZ, 86, 187

CONC, 55, 121

ENTR, 87, 90, 115, 182

EXIT, 87

MENUS

AUTO, 95, 99, 179

DUAL, 95, 97, 98, 179

SNGL, 49, 95, 96

Message Field, 28

Mode Field, 28, 46

Modem, 71, 157

Troubleshooting, 290

Motherboard, 47, 125, 134

MR Ratio, 84, 252, 253, 262, 278

Multidrop, 41, 149, 152, 159, 160, 168

N

National Institute of Standards and Technology (NIST)

Standard Reference Materials (SRM), 42

CO, 42

NH₃, 56

nitric acid, 56

NXCNC1, 108

O

O₂, 25, 38, 39, 42, 54, 56, 71, 72, 73, 81, 84, 85, 94, 121, 125, 140, 172, 175, 179, 181, 199, 203, 204, 205, 229, 269

O₂ CELL TEMP, 84

O₂ CELL TEMP WARNING, 85

O₂ OFFSET, 84

O₂ sensor, 38, 39, 42, 54, 72, 84, 85, 94, 140, 175, 181, 203, 205, 229, 269

O₂ **SENSOR**, 205

CALIBRATION

Procedure, 206

SETUP, 203

Span Gas Concentration, 204

O₂ Sensor Option

Pneumatic Set Up for Calibration, 203

O₂ SLOPE, 84

OFFSET, 84, 134, 139, 182, 252, 253, 263

Operating Modes, 123

Calibration Mode, 175

Diagnostic Mode (DIAG), 123

Sample Mode, 28, 121, 192

Secondary Setup, 87

Optic Test, 123

Optical Bench, 234, 242, 256

Layout, 34

Optional Sensors

CO₂

INTERNAL PNEUMATICS, 272

O₂

INTERNAL PNEUMATICS, 272

P

Particulate Filter, 75, 230, 253, 254, 260

PHOTO TEMP WARNING, 47, 85, 260

PHT DRIVE, 84, 252, 253, 263

Pneumatic Set Up, 41

Basic Model

Bottled Gas, 43, 182

Gas Dilution Calibrator, 44, 183

Calibration

CO₂ Sensor, 207

O₂ Sensor, 203
 Calibration Gasses, 41
 Zero/Span Valves, 64, 187
 Zero/Span Valves with Internal Scrubber, 68, 188
 Zero/Span/Shutoff and Internal Scrubber Option, 70, 188
 Zero/Span/Shutoff Valves, 66, 187
 PNUMTC, 105
 Predictive Diagnostics, 177
 Using DAS System, 105
 PRES, 84, 252, 253, 255, 262
 PRESSURE SPAN inlet, 63
 PTEF, 45, 64, 66, 68, 70
 PTFE, 43, 58, 180, 213, 254
 Pump
 Sample, 59

R

Rack Mount, 59
 RANGE, 84, 125, 172, 262
 RANGE1, 84, 172
 AUTO, 99
 RANGE2, 84, 172
 AUTO, 99
REAR BOARD NOT DET, 47, 85, 175, 260
 Recorder Offset, 139
 Relay Board
 Status LEDs, 267
 Troubleshooting, 281
RELAY BOARD WARN, 47, 85, 260
 relay PCA, 47
 Reporting Range, 49, 86, 87, 93, 96, 97, 99
 Configuration, 87, 93
 Dilution Feature, 101
 Modes, 101
 AUTO, 99
 DUAL, 97
 SNGL, 96
 Upper Span Limit, 96, 98, 101
 RJ45, 71
 RS-232, 23, 25, 41, 58, 62, 71, 82, 104, 116, 118, 120, 145, 146, 147, 149, 152, 155, 156, 159, 160, 161, 168, 177, 212, 216, 231, 241, 289, 290
 Activity Indicators, 147
 DCE & DTE, 145
 RS-485, 23, 25, 58, 62, 145, 149, 150, 152, 161, 231, 241

S

Safety Messages
 Electric Shock, 35, 36, 276, 277
 General, 35, 37, 41, 43, 60, 134, 257
 Qualified Personnel, 257
SAMPLE FL, 84, 262
 Sample Flow Sensor, 230

SAMPLE FLOW WARN, 47, 85, 175, 260
 Sample Gas Line, 44, 64, 66, 68, 70
Sample Inlet, 31
 Sample Mode, 28, 81, 121, 192, 214, 289
SAMPLE PRESS WARN, 47, 85, 175, 260
 Sample Pressure Sensor, 230
 SAMPLE TEMP, 84, 85, 175, 262, 276
SAMPLE TEMP WARN, 47, 85, 175
 Schmidt Triggers, 235
 Scubber
 Zero Air, 180
 Sensor Inputs, 241, 285
 Bench Temperature, 242
 Box Temperature, 242
 CO Measure And Reference, 241
 Sample Pressure And Flow, 241
 Sample Temperature, 242
 Thermistor Interface, 241
 Wheel Temperature, 242
SERIAL I/O
 BENCH_HEATER, 276
 CO_MEASURE, 278
 CO_REFERENCE, 278
 PHT_DRIVE, 277, 278
 WHEEL_HEATER, 277
 Serial I/O Ports
 Modem, 157
 Multidrop, 41, 149, 152, 159, 160
 RS-232, 41, 87, 104, 116, 118, 159, 177
 RS-485, 149
 Shutoff Valve
 Span Gas, 65
 SLOPE, 84, 182, 252, 253, 263
 SLPCHG, 105, 110
 SNGL, 49, 95, 96
 SO₂, 57
SOURCE WARNING, 47, 85, 175
SPAN CAL, 39, 63, 65, 67, 69, 179, 252, 288, 289
 Remote, 40
 Span Gas, 23, 31, 42, 44, 48, 55, 62, 64, 65, 66, 67, 68, 70, 86, 101, 143, 175, 179, 181, 185, 187, 190, 193, 204, 207, 219, 255, 260, 263, 273, 274, 275
 Dilution Feature, 101
 Standard Reference Materials (SRM's)
 CO Span Gas, 42
Span Inlet, 31
 Specifications, 25
 STABIL, 84, 252, 253, 262, 278, 294, 295
 STABIL_GAS, 121
 stainless steel, 43, 180
 Standard Temperature and Pressure, 100
 Status LEDs, 240
 CO₂ Sensor, 290
 CPU, 265
 Relay Board, 267
 Sync/Demod Board, 266, 279

Status Outputs, 99, 242

Electrical Connections, 38

Pin Assignments, 39

Subnet Mask, 166

SYNC, 175

Sync/Demod Board, 200, 236, 237, 238, 242,
247, 260, 261, 262, 282

Photo-Detector Temperature Control, 238

Status LEDs, 266, 279

Troubleshooting, 282, 294, 295

System

Default Settings, 104

SYSTEM OK, 39, 288

SYSTEM RESET, 47, 85, 175

T

Teledyne Contact Information

Email Address, 59, **296**Fax, 59, **296**Phone, 59, **296**Technical Assistance, **296****Website**, 59, **296***Hessen Protocol Manual*, 168*Software Downloads*, 119

Terminal Mode, 153

Command Syntax, 154

Computer mode, 149, 153

INTERACTIVE MODE, 153

Test Channel, 123, 125, 140

BENCH TEMP, 140

CHASSIS TEMP, 140

CO MEASURE, 140

CO REFERENCE, 140

NONE, 140

O₂ CELL TEMP, 140

PHT DRIVE, 140

SAMPLE FLOW, 140

SAMPLE PRESS, 140

SAMPLE TEMP, 140

WHEEL TEMP, 140

Test Function

RANGE, 125, 172

Test Functions, 83, 125, 140, 286, 287

BENCH TEMP, 84, 262

BOX TEMP, 47, 84, 175, 262, 276

CO MEAS, 84, 252, 253, 294, 295

CO REF, 84

CO₂ OFFSET, 84CO₂ SLOPE, 84

Defined, 84

MR Ratio, 84, 252, 253, 262, 278

O₂ CELL TEMP, 84O₂ OFFSET, 84O₂ SLOPE, 84

OFFSET, 84, 182, 252, 253, 263

PHT DRIVE, 84, 252, 253, 263

PRES, 84, 252, 253, 255, 262

RANGE, 84, 172, 262

RANGE1, 84, 172

AUTO, 99

RANGE2, 84, 172

AUTO, 99

SAMPLE FL, 84, 262

SAMPLE TEMP, 84, 85, 175, 262, 276

SLOPE, 84, 182, 252, 253, 263

STABIL, 84, 252, 253, 262, 278, 294, 295

TIME, 84, 194, 262

WHEEL TEMP, 84, 262

TIME, 84, 194, 262

Touch screen Interface Electronics

Troubleshooting, 280

U

Units of Measurement, 49, 100, 101

Volumetric Units vs Mass Units, 100

USB, 62

V

Valve Options, 31, 189, 239

Calibration Using, 187, 190

Internal Span Gas Generator*AutoCal*, 193*Hessen Flags*, 175**Warning Messages**, 47

Shutoff Valve

Span Gas, 65

Zero/Span, 275

Zero/Span Valve w/ Internal Scrubber, 275

Zero/Span Valves

Internal Pneumatics, 63, 270*Pneumatic Set Up*, 64, 187

Zero/Span Valves with Internal Scrubber

Internal Pneumatics, 67, 271*Pneumatic Set Up*, 68, 188

Zero/Span with Remote Contact Closure, 192

Zero/Span/Shutoff Valves

Internal Pneumatics, 65, 270*Pneumatic Set Up*, 66, 187

Zero/Span/Shutoff Valves with Internal Scrubber

Internal Pneumatics, 69, 271*Pneumatic Set Up*, 70, 188

VARS Menu, 87, 89, 90, 92, 104, 117, 121

Variable Default Values, 121

Variable Names

CLOCK_ADJ, 121*CONC_PRECISION*, 121*DAS_HOLD_OFF*, 121*DYN_SPAN*, 121*DYN_ZERO*, 121*STABIL_GAS*, 121

Ventilation Clearance, 36

Venting, 44, 64, 66, 68, 70

Exhaust Line, 45, 65, 66, 68, 70

Sample Gas, 44, 64, 66, 68, 70

Span Gas, 44, 64, 66, 68

Zero Air, 44, 64, 66, 68

W

Warm-up Period, 46

Warnings, 46

ANALOG CAL WARNING, 47, 85
AZERO, 175
BENCH TEMP WARNING, 175
BENCH TEMP WARNING, 47, 85, 260
BOX TEMP WARNING, 47, 85, 175, 260
CANNOT DYN SPAN, 47, 85, 175, 260
CANNOT DYN ZERO, 47, 85, 175, 260
CONC ALRM1 WARNING, 85, 175
CONC ALRM2 WARNING, 85, 175
CONFIG INITIALIZED, 47, 85, 260
DATA INITIALIZED, 47, 85, 260
DCPS, 175
O₂ CELL TEMP WARNING, 85
PHOTO TEMP WARNING, 47, 85, 260
REAR BOARD NOT DET, 47, 85, 175, 260
RELAY BOARD WARN, 47, 85, 260
SAMPLE FLOW WARN, 47, 85, 175, 260
SAMPLE PRESS WARN, 47, 85, 175, 260
SAMPLE TEMP WARN, 47, 85, 175
SOURCE WARNING, 47, 85, 175
SYNC, 175
SYSTEM RESET, 47, 85, 175
Wheel temp WARNING, 47
WHEEL TEMP WARNING, 85, 175
Watch Dog Circuit, 240
WHEEL TEMP, 84, 262
WHEEL TEMP WARNING, 47, 85, 175
WTEMPW, 110

Z

Zero Air, 23, 31, 41, 42, 44, 48, 56, 62, 64, 65, 66, 67, 68, 69, 70, 86, 179, 180, 187, 193, 211, 216, 217, 218, 219, 253, 262, 263, 273, 274, 275, 278, 282
ZERO AIR Inlet, 31
ZERO CAL, 39, 40, 63, 65, 67, 69, 252, 288, 289
Remote, 40
Zero/Span Valves, 192
Internal Pneumatics, 63, 270
Pneumatic Set Up, 64, 187
Zero/Span Valves with Internal Scrubber
Internal Pneumatics, 67, 271
Pneumatic Set Up, 68, 188
Zero/Span/Shutoff Valves
Internal Pneumatics, 65, 270
Pneumatic Set Up, 66, 187
Zero/Span/Shutoff Valves with Internal Scrubber
Internal Pneumatics, 69, 271
Pneumatic Set Up, 70, 188

This page intentionally left blank.

APPENDIX A - Version Specific Software Documentation

APPENDIX A-1: SOFTWARE MENU TREES, REVISION L.8	2
APPENDIX A-2: SETUP VARIABLES FOR SERIAL I/O	8
APPENDIX A-3: WARNINGS AND TEST FUNCTIONS	21
APPENDIX A-4: SIGNAL I/O DEFINITIONS	26
APPENDIX A-5: DAS TRIGGERS AND PARAMETERS	31
APPENDIX A-6: TERMINAL COMMAND DESIGNATORS	34
APPENDIX A-7: MODBUS REGISTER MAP	35

APPENDIX A-1: Software Menu Trees, Revision L.8

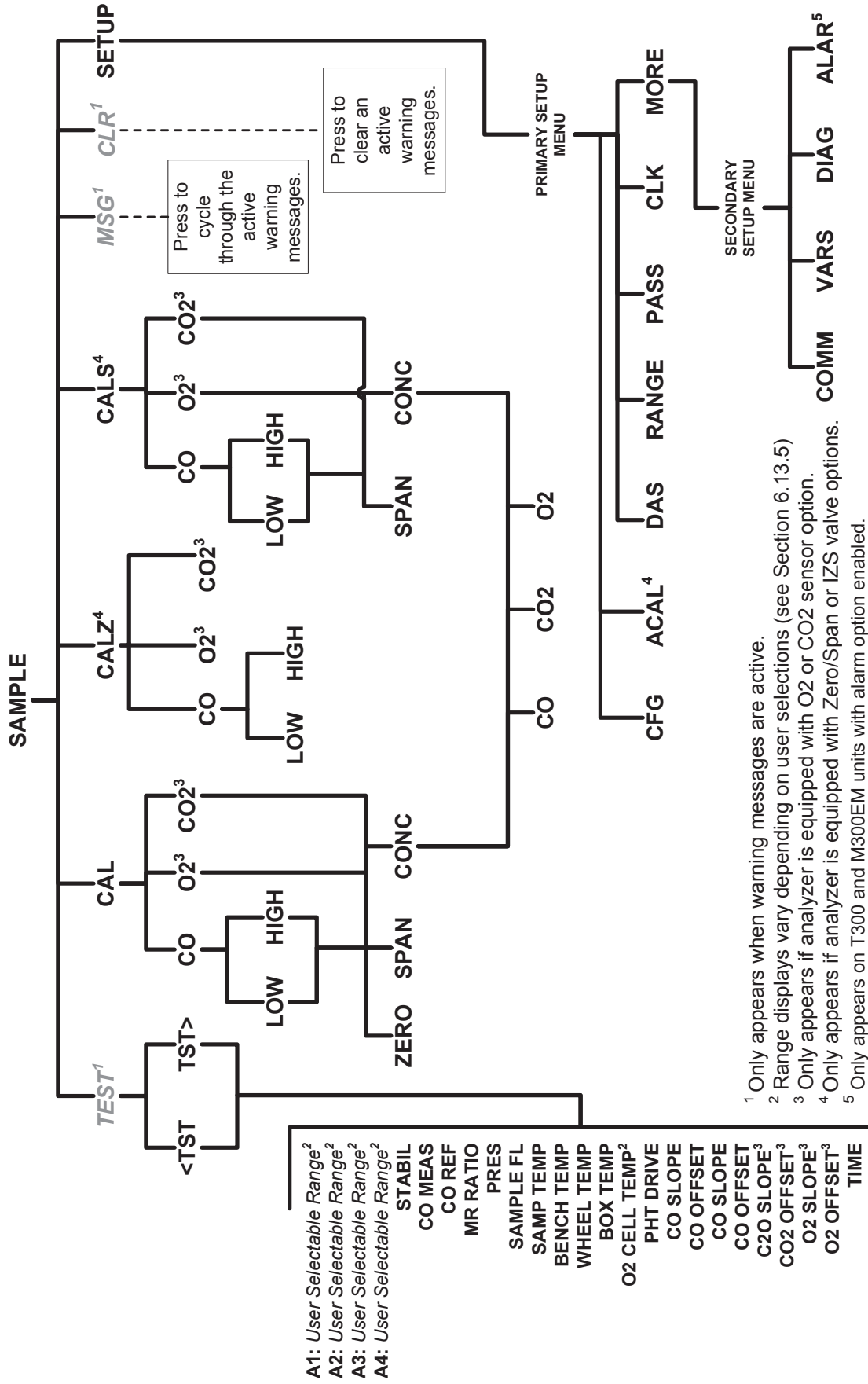


Figure A-1: Basic Sample Display Menu

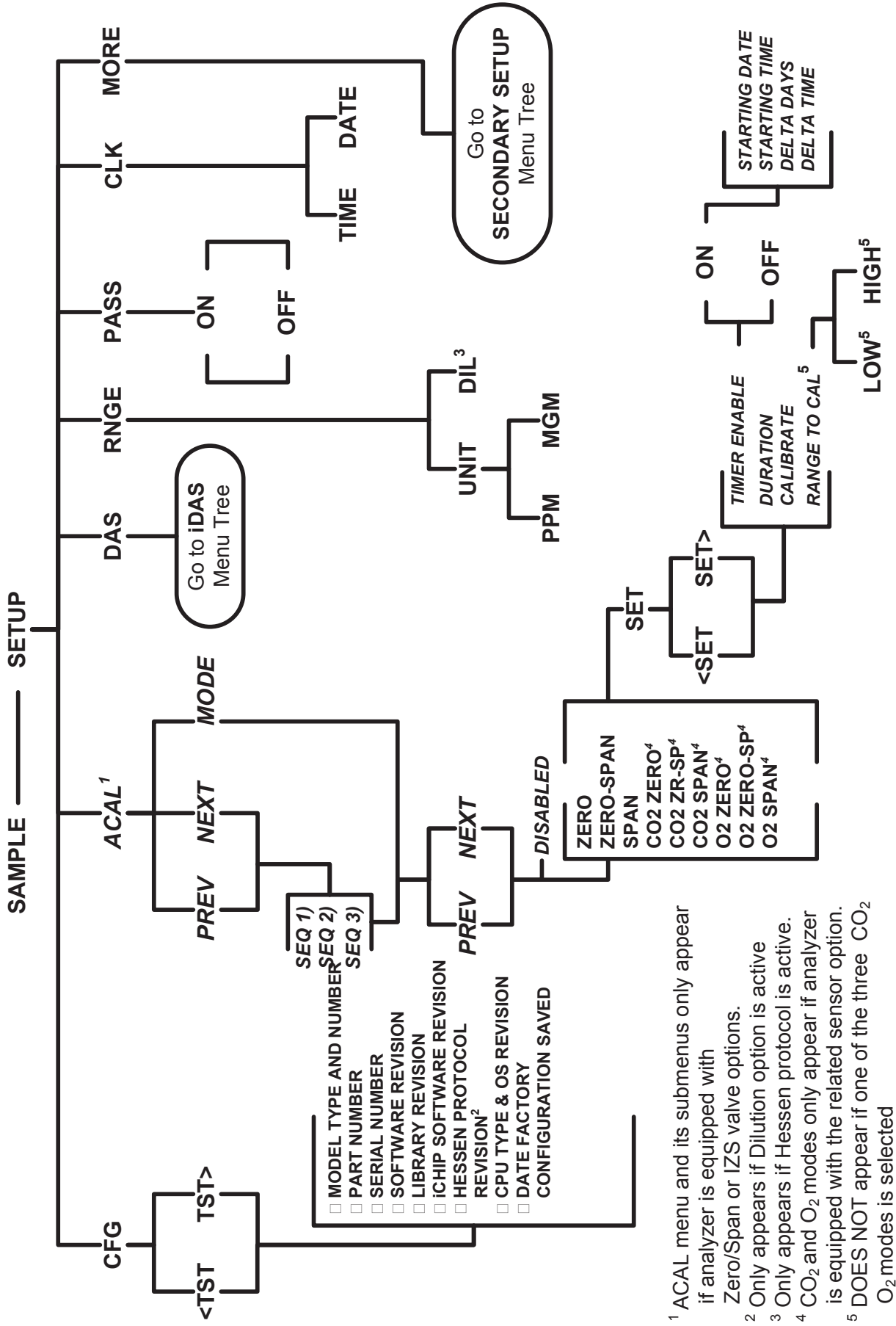
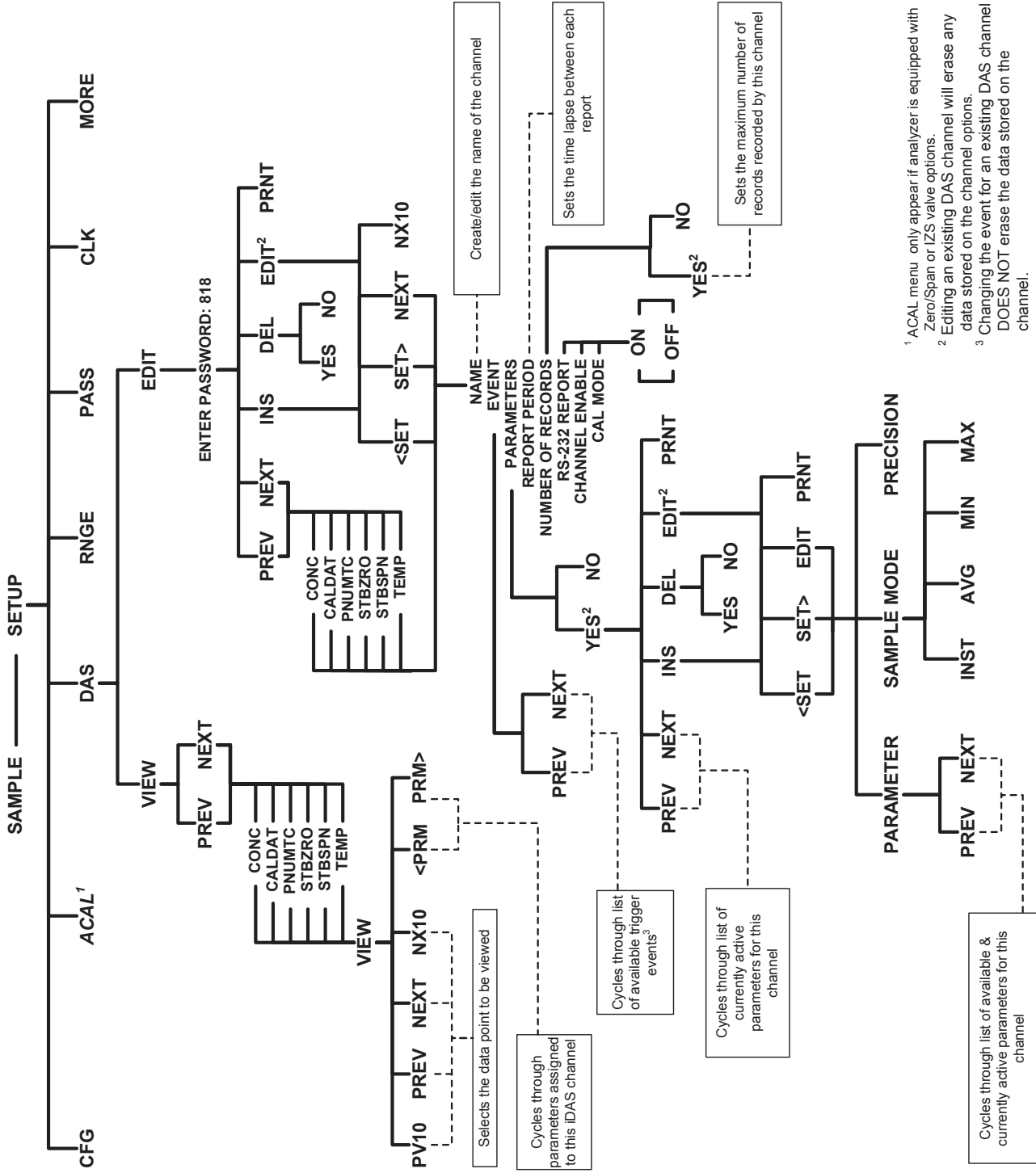


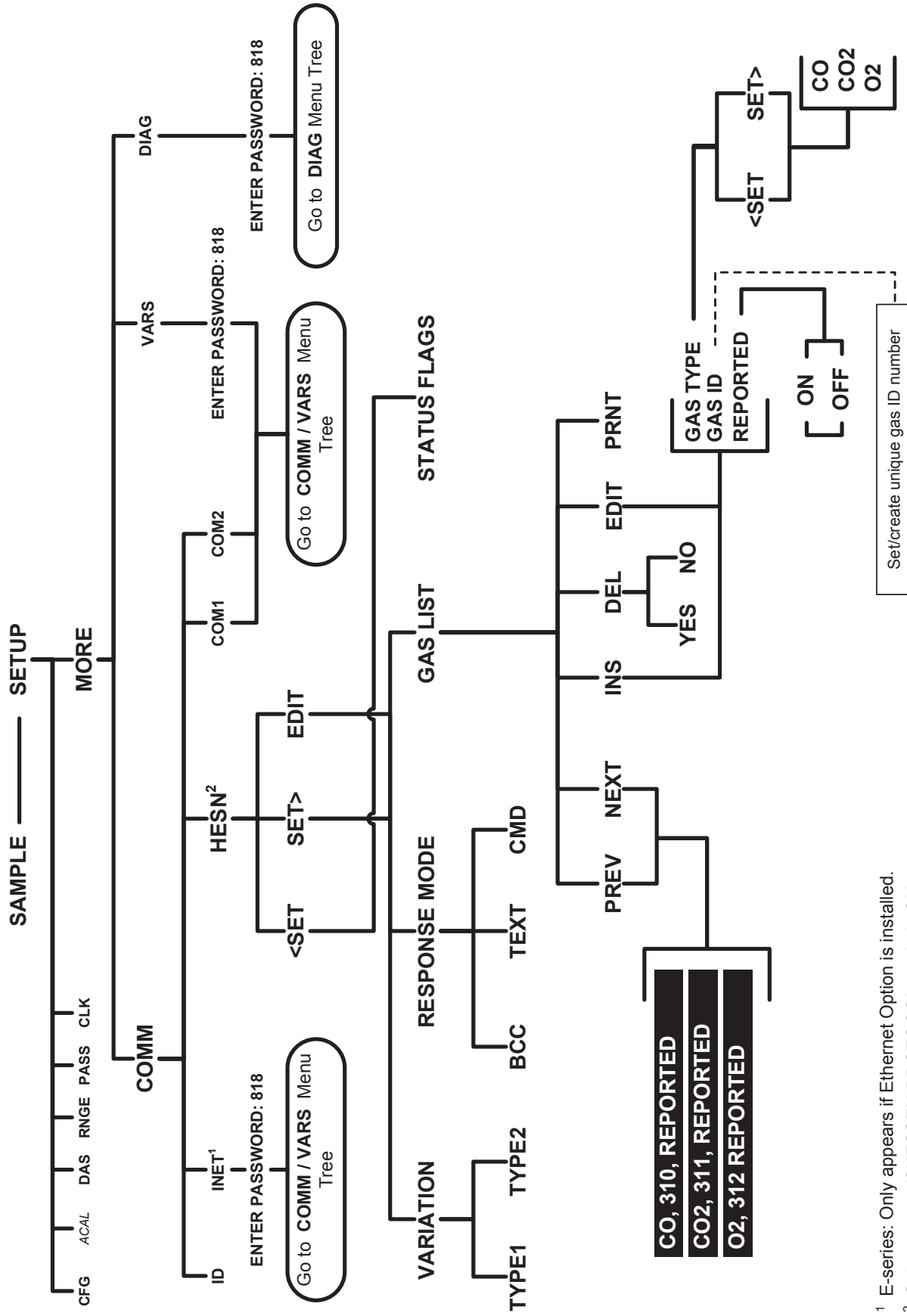
Figure A-2: Primary Setup Menu (Except DAS)

1 ACAL menu and its submenus only appear if analyzer is equipped with Zero/Span or IZS valve options.
 2 Only appears if Dilution option is active.
 3 Only appears if Hessen protocol is active.
 4 CO₂ and O₂ modes only appear if analyzer is equipped with the related sensor option.
 5 DOES NOT appear if one of the three CO₂ O₂ modes is selected



¹ ACAL menu only appear if analyzer is equipped with Zero/Span or IZS valve options.
² Editing an existing DAS channel will erase any data stored on the channel options.
³ Changing the event for an existing DAS channel DOES NOT erase the data stored on the channel.

Figure A-3: Primary Setup Menu → DAS Submenu



¹ E-series: Only appears if Ethernet Option is installed.

² Only appears if **HESSEN PROTOCOL** mode is ON.

Figure A-5: Secondary Setup Menu → Hessen Protocol Submenu

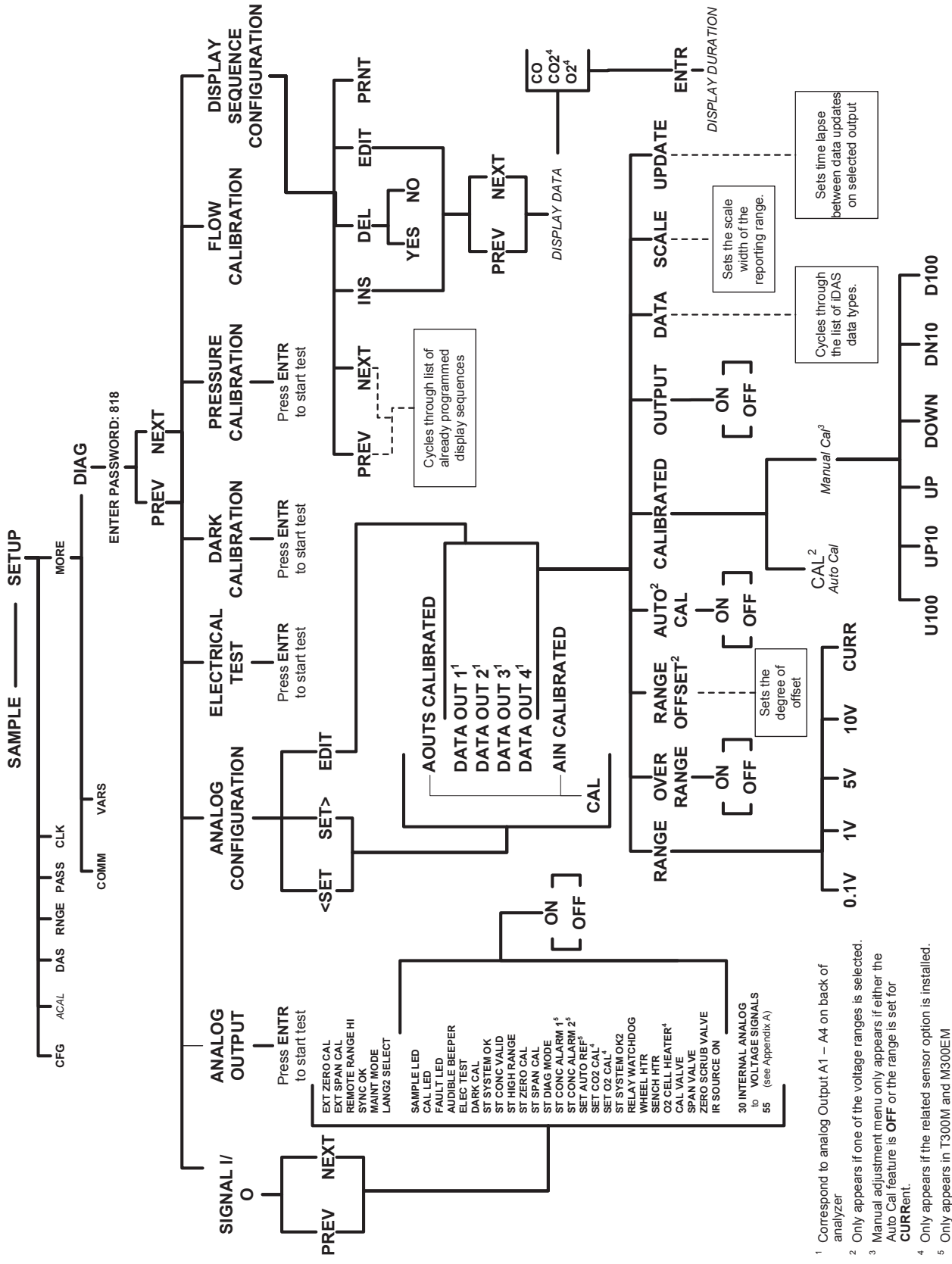


Figure A-6: DIAG Menu

1 Correspond to analog Output A1 – A4 on back of analyzer
 2 Only appears if one of the voltage ranges is selected.
 3 Manual adjustment menu only appears if either the Auto Cal feature is OFF or the range is set for CURR.
 4 Only appears if the related sensor option is installed.
 5 Only appears in T300M and M300EM

APPENDIX A-2: Setup Variables For Serial I/O

Table A-1: T300/T300M and M300E/EM Setup Variables, Revision L.8

Setup Variable	Numeric Units	Default Value	Value Range	Description
Low Access Level Setup Variables (818 password)				
DAS_HOLD_OFF	Minutes	15	0.5–20	Duration of DAS hold off period.
CONC_PRECISION	—	3	AUTO, 0, 1, 2, 3, 4	Number of digits to display to the right of the decimal point for concentrations on the display.
REM_CAL_DURATION ¹⁷	Minutes	20	1–120	Duration of automatic calibration initiated from TAI protocol.
STABIL_GAS	—	CO ⁰	CO, CO2 ¹⁰ , O2 ¹⁴	Selects gas for stability measurement.
DYN_ZERO	—	OFF	ON, OFF	ON enables remote dynamic zero calibration; OFF disables it.
DYN_SPAN	—	OFF	ON, OFF	ON enables remote dynamic span calibration; OFF disables it.
CLOCK_ADJ	Sec./Day	0	-60–60	Time-of-day clock speed adjustment.
Medium Access Level Setup Variables (929 password)				
LANGUAGE_SELECT	—	ENGL ⁰	ENGL, SECD, EXTN	Selects the language to use for the user interface.
MAINT_TIMEOUT	Hours	2	0.1–100	Time until automatically switching out of software-controlled maintenance mode.
CONV_TIME	—	33 MS ⁰	33 MS, 66 MS, 133 MS, 266 MS, 533 MS, 1 SEC, 2 SEC	Conversion time for measure/reference detector channel.
CO_DWELL	Seconds	0.2	0.1–30	Dwell time before taking measure or reference sample.
CO_SAMPLE	Samples	1	1–30	Number of samples to take in measure or reference mode.
PRE_FILT_SIZE ^{5, 19}	Samples	16	1–50	Moving average pre-filter size.
FILT_SIZE	Samples	750, 720 ^{9, 12} 200 ^{3, 8} 1000 ^{19, 23}	1–1000	Moving average filter size.

Setup Variable	Numeric Units	Default Value	Value Range	Description
FILT_ASIZE	Samples	48, 20 ^{3, 8} , 40 ^{20, 22}	1–1000	Moving average filter size in adaptive mode.
FILT_DELTA	PPM	4, 0.7 ⁵ 15 ^{3, 8} 0.15 ^{9, 12} 0.4 ^{19, 23} 0.2 ^{20, 22}	1–1000	Absolute change to trigger adaptive filter.
FILT_PCT	%	10 5 ^{20, 22, 23}	1–100	Percent change to trigger adaptive filter.
FILT_DELAY	Seconds	90, 72 ^{20, 22}	0–180	Delay before leaving adaptive filter mode.
FILT_ADAPT	—	ON	ON, OFF	ON enables adaptive filter; OFF disables it.
CO2_DWELL ¹⁰	Seconds	0.1	0.1–30	Dwell time before taking each sample.
CO2_FILT_ADAPT ¹⁰	—	ON	ON, OFF	ON enables CO ₂ adaptive filter; OFF disables it.
CO2_FILT_SIZE ¹⁰	Samples	48	1–300	CO ₂ moving average filter size.
CO2_FILT_ASIZE ¹⁰	Samples	12	1–300	CO ₂ moving average filter size in adaptive mode.
CO2_FILT_DELTA ¹⁰	%	2	0.01–10	Absolute CO ₂ conc. change to trigger adaptive filter.
CO2_FILT_PCT ¹⁰	%	10	0.1–100	Percent CO ₂ conc. change to trigger adaptive filter.
CO2_FILT_DELAY ¹⁰	Seconds	90	0–300	Delay before leaving CO ₂ adaptive filter mode.
CO2_DIL_FACTOR ¹⁰	—	1	0.1–1000	Dilution factor for CO ₂ . Used only if is dilution enabled with <i>FACTORY_OPT</i> variable.
O2_DWELL ¹⁴	Seconds	1	0.1–30	Dwell time before taking each sample.
O2_FILT_ADAPT ¹⁴	—	ON	ON, OFF	ON enables O ₂ adaptive filter; OFF disables it.
O2_FILT_SIZE ¹⁴	Samples	60	1–500	O ₂ moving average filter size in normal mode.
O2_FILT_ASIZE ¹⁴	Samples	10	1–500	O ₂ moving average filter size in adaptive mode.
O2_FILT_DELTA ¹⁴	%	2	0.1–100	Absolute change in O ₂ concentration to shorten filter.
O2_FILT_PCT ¹⁴	%	2	0.1–100	Relative change in O ₂ concentration to shorten filter.
O2_FILT_DELAY ¹⁴	Seconds	20	0–300	Delay before leaving O ₂ adaptive filter mode.
O2_DIL_FACTOR ¹⁴	—	1	0.1–1000	Dilution factor for O ₂ . Used only if is dilution enabled with <i>FACTORY_OPT</i> variable.

Setup Variable	Numeric Units	Default Value	Value Range	Description
USER_UNITS	—	PPM ⁰	PPB, PPM, UGM, MGM % ^{4, 5, 9, 18} PPM ^{3, 8} MGM ^{3, 8}	Concentration units for user interface.
NEG_CONC_SUPPRESS	—	OFF, ON ¹⁷	OFF, ON	ON pegs negative concentrations at zero; OFF permits negative concentrations
DIL_FACTOR	—	1	0.1–1000	Dilution factor. Used only if is dilution enabled with <i>FACTORY_OPT</i> variable.
DARK_CAL_DURATION	Seconds	180, 60 ⁴	10–600	Duration of dark cal. First two-thirds is stabilization period; final third is measure period.
DARK_MEAS_MV	mV	0	-1000–1000	Dark offset for measure reading.
DARK_REF_MV	mV	0	-1000–1000	Dark offset for reference reading.
CO2_COMP_ENABLE	—	OFF	ON, OFF	ON enables CO ₂ compensation; OFF disables it.
CO2_COMP_CONC	%	0	0–20	CO ₂ concentration to compensate for.
SOURCE_DRIFT_ENAB ²¹	—	OFF	ON, OFF	ON enables source drift compensation; OFF disables it.
SOURCE_DRIFT ²¹	PPB/Day	0	-500–500	Source drift compensation rate of change.
CO_CONST1	—	8000, 500 ^{15,20,22,23} 78.8 ^{9,12} 3020 ¹⁸ 500 ^{4,9,12} 39600 ⁸ 40000 ³	100–50000	CO calculation constant.
CO_CONST2	—	0.2110 0.356 ^{20,22,23} 0.367 ¹⁵ 1.458 ^{9,12} 1.4625 ¹⁸ 1.448 ⁴ 0.192 ⁸ 0.187 ³ 0.1196 ²⁴	0–10	CO calculation constant.
ET_MEAS_GAIN	—	1	0.0001–9.9999	Electrical test gain factor for measure reading.
ET_REF_GAIN	—	1	0.0001–9.9999	Electrical test gain factor for reference reading.

Setup Variable	Numeric Units	Default Value	Value Range	Description
ET_TARGET_DET	mV	4375	0–5000	Target detector reading during electrical test.
ET_TARGET_CONC	PPM	40, 400 ^{3,8}	1–9999.99	Target concentration during electrical test.
ET_CONC_RANGE	Conc.	50, 5000 ^{3,8}	0.1–50000	D/A concentration range during electrical test.
STD_TEMP	°K	321	1–500	Standard temperature for temperature compensation.
STD_PRESS	"Hg	28.5, 28.7 ⁸ , 28.8 ^{12,18} , 28.1 ⁴	1–50	Standard pressure for pressure compensation.
BENCH_SET	°C	48 Warnings: 43–53	0–100	Optical bench temperature set point and warning limits.
WHEEL_SET	°C	68, 62 ^{19,23} Warnings: 63–73, 57–67 ^{19,23}	0–100	Wheel temperature set point and warning limits.
O2_CELL_SET ¹⁴	°C	50 Warnings: 45–55	30–70	O ₂ sensor cell temperature set point and warning limits.
STD_O2_CELL_TEMP ¹⁴	°K	323	1–500	Standard O ₂ cell temperature for temperature compensation.
ZERO_APPLY_IN_CAL ⁵	—	ON	OFF, ON	ON applies auto-reference offset and dilution factor during zero/span calibration; OFF disables both. (Only applicable if ZERO_ENABLE is ON.)
ZERO_DWELL ^{3,5,8}	Seconds, Minutes ⁵	7, 3 ⁵	1–60, 1–30 ⁵	Dwell time after closing or opening zero scrubber valve.
ZERO_SAMPLES ^{3,5,8}	Samples	15, 750 ⁵ , 1000 ¹⁹	1–1000	Number of zero samples to average.
ZERO_FILT_SIZE ^{3,5,8}	Samples	5, 1 ⁵	1–100	Auto-zero offset moving average filter size.
ZERO_LIMIT ^{3,5,8}	Ratio	1.2, 1.15 ^{3,8} , 1 ⁵	0–5	Minimum auto-zero ratio allowed; must be <i>greater</i> than this value to be valid.
ZERO_CAL ^{3,5,8}	Ratio	1.18	0.5–5	Calibrated auto-zero ratio.

Setup Variable	Numeric Units	Default Value	Value Range	Description
CO_TARG_ZERO1	Conc.	0	-100.00–999.99	Target CO concentration during zero offset calibration of range 1.
CO_TARG_MID1_1	Conc.	50 ⁵ , 300	0.01–9999.99	Target CO concentration during mid-point #1 calibration of range 1.
CO_TARG_MID2_1	Conc.	50 ⁵ , 300	0.01–9999.99	Target CO concentration during mid-point #2 calibration of range 1.
CO_SPAN1	Conc.	40, 400 ^{3,8}	0.01–9999.99	Target CO concentration during internal span calibration of range 1.
CO_SLOPE1	—	1	0.001–999.999	CO slope for range 1.
CO_OFFSET1	—	0	-10–10	CO offset for range 1.
CAL_BOX_TEMP1	°C	30	0–100	Calibrated box temperature for range 1.
CO_TARG_ZERO2	Conc.	0	-100.00–999.99	Target CO concentration during zero offset calibration of range 2.
CO_TARG_MID1_2	Conc.	50 ⁵ , 300	0.01–9999.99	Target CO concentration during mid-point #1 calibration of range 2.
CO_TARG_MID2_2	Conc.	50 ⁵ , 300	0.01–9999.99	Target CO concentration during mid-point #2 calibration of range 2.
CO_SPAN2	Conc.	40, 400 ^{3,8}	0.01–9999.99	Target CO concentration during internal span calibration of range 2.
CO_SLOPE2	—	1	0.001–999.999	CO slope for range 2.
CO_OFFSET2	—	0	-10–10	CO offset for range 2.
CAL_BOX_TEMP2	°C	30	0–100	Calibrated box temperature for range 2.
CO2_TARG_MID1_CONC ¹⁰	%	6, 800 ¹⁶	0.1–1000, 0.1–2000 ¹⁶	Target CO ₂ concentration during mid-point #1 calibration.
CO2_TARG_MID2_CONC ¹⁰	%	6, 800 ¹⁶	0.1–1000, 0.1–2000 ¹⁶	Target CO ₂ concentration during mid-point #2 calibration.
CO2_TARG_SPAN_CONC ¹⁰	%	12	0.1–1000, 0.1–2000 ¹⁶	Target CO ₂ concentration during span calibration.
CO2_SLOPE ¹⁰	—	1	0.5–5	CO ₂ slope.
CO2_OFFSET ¹⁰	%	0	-10–10, -100–100 ¹⁶	CO ₂ offset.
O2_TARG_SPAN_CONC ¹⁴	%	20.95	0.1–100	Target O ₂ concentration during span calibration.
O2_SLOPE ¹⁴	—	1	0.5–2	O ₂ slope.
O2_OFFSET ¹⁴	%	0	-10–10	O ₂ offset.

Setup Variable	Numeric Units	Default Value	Value Range	Description
RANGE_MODE	—	SNGL ⁰	SNGL, DUAL, AUTO	Range control mode.
CONC_RANGE1	Conc.	50, 200 ⁶ , 500 ^{3,8}	0.1–50000	D/A concentration range 1.
CONC_RANGE2 ¹	Conc.	50, 200 ⁶ , 500 ^{3,8}	0.1–50000	D/A concentration range 2.
CO2_RANGE ¹⁰	%	15	0.1–500, 0.1–2000 ¹⁶	CO ₂ concentration range.
O2_RANGE ¹⁴	%	100	0.1–500	O ₂ concentration range.
RS232_MODE	BitFlag	0	0–65535	RS-232 COM1 mode flags. Add values to combine flags. 1 = quiet mode 2 = computer mode 4 = enable security 8 = enable hardware handshaking 16 = enable Hessen protocol ¹¹ 32 = enable multi-drop 64 = enable modem 128 = ignore RS-232 line errors 256 = disable XON / XOFF support 512 = disable hardware FIFOs 1024 = enable RS-485 mode 2048 = even parity, 7 data bits, 1 stop bit 4096 = enable command prompt 8192 = even parity, 8 data bits, 1 stop bit 16384 = enable dedicated MODBUS ASCII protocol 32678 = enable dedicated MODBUS RTU or TCP protocol 16384 = enable TAI protocol ¹⁷
BAUD_RATE	—	115200 ⁰	300, 1200, 2400, 4800, 9600, 19200, 38400, 57600, 115200	RS-232 COM1 baud rate.

Setup Variable	Numeric Units	Default Value	Value Range	Description
MODEM_INIT	—	"AT Y0 &D0 &H0 &I0 S0=2 &B0 &N6 &M0 E0 Q1 &W0" ⁰	Any character in the allowed character set. Up to 100 characters long.	RS-232 COM1 modem initialization string. Sent verbatim plus carriage return to modem on power up or manually.
RS232_MODE2	BitFlag	0	0–65535	RS-232 COM2 mode flags. (Same settings as RS232_MODE.)
BAUD_RATE2	—	19200 ⁰	300, 1200, 2400, 4800, 9600, 19200, 38400, 57600, 115200	RS-232 COM2 baud rate.
MODEM_INIT2	—	"AT Y0 &D0 &H0 &I0 S0=2 &B0 &N6 &M0 E0 Q1 &W0" ⁰	Any character in the allowed character set. Up to 100 characters long.	RS-232 COM2 modem initialization string. Sent verbatim plus carriage return to modem on power up or manually.
RS232_PASS	Password	940331	0–999999	RS-232 log on password.
MACHINE_ID	ID	300, 320 ⁴	0–9999	Unique ID number for instrument.
COMMAND_PROMPT	—	"Cmd> " ⁰	Any character in the allowed character set. Up to 100 characters long.	RS-232 interface command prompt. Displayed only if enabled with RS232_MODE variable.

Setup Variable	Numeric Units	Default Value	Value Range	Description
TEST_CHAN_ID	—	NONE ⁰	NONE, CO MEASURE, CO REFERENC E, VACUUM PRESSURE, SAMPLE PRESSURE, SAMPLE FLOW, SAMPLE TEMP, BENCH TEMP, WHEEL TEMP, O2 CELL TEMP ¹⁴ , CHASSIS TEMP, PHT DRIVE, TEMP4 ⁵	Diagnostic analog output ID.
REMOTE_CAL_MODE	—	LOW ⁰	LOW, HIGH, CO2 ¹⁰ , O2 ¹⁴	CO range or other gas to calibrate during contact closure or Hessen calibration.
PASS_ENABLE	—	OFF	ON, OFF	ON enables passwords; OFF disables them.
STABIL_FREQ	Seconds	10 120 ^{19, 23}	1–300	Stability measurement sampling frequency.
STABIL_SAMPLES	Samples	25	2–40	Number of samples in concentration stability reading.
PHOTO_TEMP_SET	mV	2500 Warnings: 250–4750	0–5000	Photometer temperature warning limits. Set point is not used.
SAMP_PRESS_SET	In-Hg	29.92 Warnings: 15–32	0–100	Sample pressure warning limits. Set point is not used.

Setup Variable	Numeric Units	Default Value	Value Range	Description
SAMP_FLOW_SET	cc/m	800, 2000 ¹³ 1800 ^{5,19} Warnings: 640–960, 1400–2200 ^{5,19} 1500–2500 ¹³	0–5000	Sample flow warning limits. Set point is not used.
SAMP_FLOW_SLOPE	—	1 4.5 ^{5,19}	0.001–100	Slope term to correct sample flow rate.
VAC_SAMP_RATIO	—	0.53, 0.61 ¹³	0.1–2	Maximum vacuum pressure / sample pressure ratio for valid sample flow calculation.
PURGE_PRESS_SET	PSIG	7.5 Warnings: 2.5–12.5	0–100	Purge pressure warning limits. Set point is not used.
SAMP_TEMP_SET	°C	30 Warnings: 10.1–100	0–100	Sample temperature warning limits. Set point is not used.
BOX_SET	°C	30 Warnings: 5–48	0–100	Internal box temperature warning limits. Set point is not used.
BOX2_SET ⁵ , OVEN_SET ^{19,23}	°C	30 46 ^{19,23} Warnings: 25–35 41–51 ^{19,23}	0–100	Internal box temperature #2 / oven set point and warning limits.
BOX2_CYCLE ⁵ , OVEN_CYCLE ^{19,23}	Seconds	10	0.5–30	Internal box temperature #2/oven control cycle period.
BOX2_PROP ⁵ , OVEN_PROP ^{19,23}	1/°C	1 0.5 ^{19,23}	0–100	Internal box temperature #2/oven PID proportional coefficient. Proportional band is the reciprocal of this setting.
BOX2_INTEG ⁵ , OVEN_INTEG ^{19,23}	—	0.1 0.02 ^{19,23}	0–100	Internal box temperature #2/oven PID integral coefficient.
BOX2_DERIV ⁵ , OVEN_DERIV ^{19,23}	—	0	0–100	Internal box temperature #2/oven PID derivative coefficient.
BENCH_CYCLE	Seconds	2 15 ^{19,23}	0.5–30	Optical bench temperature control cycle period.
BENCH_PROP	1/°C	5 1.5 ^{19,23}	0–100	100V optical bench temperature PID proportional coefficient. Proportional band is the reciprocal of this setting.
BENCH_INTEG	—	0.5 1.5 ^{19,23}	0–100	100V optical bench temperature PID integral coefficient.

Setup Variable	Numeric Units	Default Value	Value Range	Description
BENCH_DERIV	—	2 0 ^{19,23}	0–100	100V optical bench temperature PID derivative coefficient.
BENCH_PROP2	1/°C	5 0.75 ^{19,23}	0–100	200V optical bench temperature PID proportional coefficient. Proportional band is the reciprocal of this setting.
BENCH_INTEG2	—	0.5 0.75 ^{19,23}	0–100	200V optical bench temperature PID integral coefficient.
BENCH_DERIV2	—	2 0 ^{19,23}	0–100	200V optical bench temperature PID derivative coefficient.
WHEEL_CYCLE	Seconds	4 2 ^{4,9,12,18} 8 ^{19,23}	0.5–30	Wheel temperature control cycle period.
WHEEL_PROP	1/°C	1 0.3 ^{19,23}	0–100	100V wheel temperature PID proportional coefficient. Proportional band is the reciprocal of this setting.
WHEEL_INTEG	—	0.135 0.035 ^{4,9,12,18} 0.06 ^{19,23}	0–100	100V wheel temperature PID integral coefficient.
WHEEL_DERIV	—	2 0 ^{19,23}	0–100	100V wheel temperature PID derivative coefficient.
WHEEL_PROP2	1/°C	1 0.1 ^{19,23}	0–100	200V wheel temperature PID proportional coefficient. Proportional band is the reciprocal of this setting.
WHEEL_INTEG2	—	0.135 0.035 ^{4,9,12,18} 0.01 ^{19,23}	0–100	200V wheel temperature PID integral coefficient.
WHEEL_DERIV2	—	2 0 ^{19,23}	0–100	200V wheel temperature PID derivative coefficient.
O2_CELL_CYCLE ¹⁴	Seconds	10	0.5–30	O ₂ cell temperature control cycle period.
O2_CELL_PROP ¹⁴	—	1	0–10	O ₂ cell PID temperature control proportional coefficient.
O2_CELL_INTEG ¹⁴	—	0.1	0–10	O ₂ cell PID temperature control integral coefficient.
O2_CELL_DERIV ¹⁴	—	0 (disabled)	0–10	O ₂ cell PID temperature control derivative coefficient.
BOX_TEMP_GAIN	PPB/DegC	0, 5 ⁹	0–100	Gain factor for box temperature compensation of concentration.
TPC_ENABLE	—	ON	OFF, ON	ON enables temperature/pressure compensation; OFF disables it.
CONC_LIN_ENABLE	—	ON	OFF, ON	ON enables concentration linearization; OFF disables it.
STAT_REP_PERIOD ¹⁷	Seconds	1	0.5–120	TAI protocol status message report period.

Setup Variable	Numeric Units	Default Value	Value Range	Description
SERIAL_NUMBER	—	“00000000” 0	Any character in the allowed character set. Up to 100 characters long.	Unique serial number for instrument.
DISP_INTENSITY	—	HIGH ⁰	HIGH, MED, LOW, DIM	Front panel display intensity.
I2C_RESET_ENABLE	—	ON	OFF, ON	ON enables automatic reset of the I ² C bus in the event of communication failures; OFF disables automatic reset.
CLOCK_FORMAT	—	“TIME=%H:%M:%S”	Any character in the allowed character set. Up to 100 characters long.	Time-of-day clock format flags. Enclose value in double quotes (") when setting from the RS-232 interface. “%a” = Abbreviated weekday name. “%b” = Abbreviated month name. “%d” = Day of month as decimal number (01 – 31). “%H” = Hour in 24-hour format (00 – 23). “%l” = Hour in 12-hour format (01 – 12). “%j” = Day of year as decimal number (001 – 366). “%m” = Month as decimal number (01 – 12). “%M” = Minute as decimal number (00 – 59). “%p” = A.M./P.M. indicator for 12-hour clock. “%S” = Second as decimal number (00 – 59). “%w” = Weekday as decimal number (0 – 6; Sunday is 0). “%y” = Year without century, as decimal number (00 – 99). “%Y” = Year with century, as decimal number. “%%” = Percent sign.
ALARM_TRIGGER ^{3,4}	Cycles	10	1–100	Concentration alarm trigger sensitivity adjustment.
REF_SDEV_LIMIT	mV	50	0.1–500	Reference detector standard deviation must be below this limit to switch out of startup mode.

Setup Variable	Numeric Units	Default Value	Value Range	Description
REF_SOURCE_LIMIT	mV	3000 (not used) Warnings: 1100–4800, 25–4800 ^{3, 4, 15}	1–5000	Reference source warning limits. Set point is not used.
FACTORY_OPT	BitFlag	512, 768 ⁵	0–65535	Factory option flags. Add values to combine flags. 1 = enable dilution factor 2 = zero/span valves installed 4 = enable conc. alarms 8 = enable linearity adjustment factor 16 = display units in concentration field 32 = enable software-controlled maintenance mode 64 ^{3, 5} = span valve installed 128 = enable switch-controlled maintenance mode 256 = compute only offset during zero calibration 512 = 220 V A/C power 1024 = non-zero offset calibration (linearity adjustment must also be enabled) 2048 = enable Internet option ⁷ 4096 = use “old” style numeric data entry menus when editing conc. table 8192 = locate high range and zero cal. status outputs on relays

Setup Variable	Numeric Units	Default Value	Value Range	Description
0				Enclose value in double quotes (") when setting from the RS-232 interface
1				Multi-range modes
2				Hessen protocol
3				T300H, M300EH
4				T360, M360E
5				T300U, M300EU
6				Fixed range special
7				iChip option (E-Series)
8				T300M, M300EM
9				GFC7000E
10				CO ₂ option
11				Must power-cycle instrument for these options to take effect
12				T360U, M360EU
13				Riken Keiki special
14				O ₂ option
15				T320, M320E
16				CO ₂ PPM sensor
17				TAI protocol
18				T360M, M360EM
19				T300U2, M300EU2
20				T320U, M320EU
21				Source drift compensation option
22				GFC7002EU
23				T320U2, M320EU2
24				N ₂ O compensation option

APPENDIX A-3: Warnings and Test Functions

Table A-2: T300/T300M and M300E/EM Warning Messages, Revision L.8

Name ¹	Message Text	Description
Warnings		
WSYSRES	SYSTEM RESET	Instrument was power-cycled or the CPU was reset.
WDATAINIT	DATA INITIALIZED	Data storage was erased.
WCONFIGINIT	CONFIG INITIALIZED	Configuration storage was reset to factory configuration or erased.
WCONCALARM1	CONC ALARM 1 WARN	Concentration limit 1 exceeded.
WCONCALARM2	CONC ALARM 2 WARN	Concentration limit 2 exceeded.
WSOURCE	SOURCE WARNING	Reference reading minus dark offset outside of warning limits specified by <i>REF_SOURCE_LIMIT</i> variable.
WAUTOZERO ^{4,5}	AZERO WARN 1.001	Auto-reference ratio below limit specified by <i>ZERO_LIMIT</i> variable.
WBENCHTEMP	BENCH TEMP WARNING	Bench temperature outside of warning limits specified by <i>BENCH_SET</i> variable.
WWHEELTEMP	WHEEL TEMP WARNING	Wheel temperature outside of warning limits specified by <i>WHEEL_SET</i> variable.
WO2CELLTEMP ¹⁰	O2 CELL TEMP WARN	O ₂ sensor cell temperature outside of warning limits specified by <i>O2_CELL_SET</i> variable.
WSAMPFLOW ⁶	SAMPLE FLOW WARN	Sample flow outside of warning limits specified by <i>SAMP_FLOW_SET</i> variable.
WSAMPPRESS	SAMPLE PRESS WARN	Sample pressure outside of warning limits specified by <i>SAMP_PRESS_SET</i> variable.
WSAMPTEMP	SAMPLE TEMP WARN	Sample temperature outside of warning limits specified by <i>SAMP_TEMP_SET</i> variable.
WPURGEPRESS ⁹	PURGE PRESS WARN	Purge pressure outside of warning limits specified by <i>PURGE_PRESS_SET</i> variable.
WBOXTEMP	BOX TEMP WARNING	Internal box temperature outside of warning limits specified by <i>BOX_SET</i> variable.
WBOXTEMP2 ⁴	BOX TEMP2 WARNING	Internal box temperature #2 outside of warning limits specified by <i>BOX2_SET</i> variable.
WOVENTEMP ¹¹	OVEN TEMP WARNING	Oven temperature outside of warning limits specified by <i>OVEN_SET</i> variable.
WPHOTOTEMP	PHOTO TEMP WARNING	Photometer temperature outside of warning limits specified by <i>PHOTO_TEMP_SET</i> variable.
WDYNZERO	CANNOT DYN ZERO	Contact closure zero calibration failed while <i>DYN_ZERO</i> was set to <i>ON</i> .
WDYNSPAN	CANNOT DYN SPAN	Contact closure span calibration failed while <i>DYN_SPAN</i> was set to <i>ON</i> .
WREARBOARD	REAR BOARD NOT DET	Rear board was not detected during power up.

Name ¹	Message Text	Description
WRELAYBOARD	RELAY BOARD WARN	Firmware is unable to communicate with the relay board.
WFRONTPANEL ¹²	FRONT PANEL WARN	Firmware is unable to communicate with the front panel.
WANALOGCAL	ANALOG CAL WARNING	The A/D or at least one D/A channel has not been calibrated.
<p>¹ The name is used to request a message via the RS-232 interface, as in "T BOXTEMP"</p> <p>² Engineering software</p> <p>³ Current instrument units</p> <p>⁴ T300U, M300EU</p> <p>⁵ T300H, M300EH</p> <p>⁶ Except T360U, M360EU (APR version)</p> <p>⁷ T360, M360E</p> <p>⁸ Sample pressure or differential pressure flow measurement option</p> <p>⁹ GFC7000E</p> <p>¹⁰ O₂ option</p> <p>¹¹ T300U2, T320U2, M300EU2, M320EU2</p> <p>¹² Applies to E-Series only</p>		

Table A-3: T300/T300M and M300E/EM Test Functions, Revision L.8

TEST FUNCTION NAME	MESSAGE TEXT	DESCRIPTION
RANGE	RANGE=50.0 PPM ³ CO RANGE=50.0 PPM ^{3,7}	D/A range in single or auto-range modes.
RANGE1	RANGE1=50.0 PPM ³ CO RANGE1=50.0 PPM ^{3,7}	D/A #1 range in dual range mode.
RANGE2	RANGE2=50.0 PPM ³ CO RANGE2=50.0 PPM ^{3,7}	D/A #2 range in dual range mode.
CO2RANGE	CO2 RANGE=20 % ⁷	CO ₂ range.
O2RANGE	O2 RANGE=100 % ¹⁰	O ₂ range.
STABILITY	STABIL=0.0 PPM ³ CO STB=0.0 PPM ^{3,7,10} CO2 STB=0.0 % ⁷ O2 STB=0.0 % ¹⁰	Concentration stability (standard deviation based on setting of <i>STABIL_FREQ</i> and <i>STABIL_SAMPLES</i>).
RESPONSE ²	RSP=0.20(0.00) SEC	Instrument response. Length of each signal processing loop. Time in parenthesis is standard deviation.
COMEAS	CO MEAS=4125.0 MV	Detector measure reading.
COREF	CO REF=3750.0 MV	Detector reference reading.
MRRATIO	MR RATIO=1.100	Measure/reference ratio.
AUTOZERO ^{4,5}	AZERO RATIO=1.234	Measure/reference ratio during auto-reference.
SAMPPRESS	PRES=29.9 IN-HG-A	Sample pressure.
PURGEPRESS ⁹	PURGE=7.5 PSIG	Purge pressure
VACUUM ⁸	VAC=6.8 IN-HG-A	Vacuum pressure.
SAMPFLOW ⁶	SAMP FL=751 CC/M	Sample flow rate.
SAMPTEMP	SAMPLE TEMP=26.8 C	Sample temperature.
BENCHTEMP	BENCH TEMP=48.1 C	Bench temperature.
WHEELTEMP	WHEEL TEMP=68.1 C	Wheel temperature.
O2CELLTEMP ¹⁰	O2 CELL TEMP=50.2 C	O ₂ sensor cell temperature.
BOXTEMP	BOX TEMP=26.8 C	Internal box temperature.
BOXTEMP2 ⁴	BOX TEMP2=29.6 C	Internal box temperature #2.
OVENTEMP ¹¹	OVEN TEMP=30.1 C	Oven temperature
PHOTOTEMP	PHT DRIVE=2500.0 MV	Photometer temperature.
COSLOPE	SLOPE=1.000 CO SLOPE=1.000 ⁷	CO slope for current range, computed during zero/span calibration.
COSLOPE1	SLOPE1=1.000 CO SLOPE1=1.000 ⁷	CO slope for range #1 in dual range mode, computed during zero/span calibration.
COSLOPE2	SLOPE2=1.000 CO SLOPE2=1.000 ⁷	CO slope for range #2 in dual range mode, computed during zero/span calibration.
COOFFSET	OFFSET=0.000 CO OFFSET=0.000 ⁷	CO offset for current range, computed during zero/span calibration.
COOFFSET1	OFFSET1=0.000 CO OFFSET1=0.000 ⁷	CO offset for range #1 in dual range mode, computed during zero/span calibration.

TEST FUNCTION NAME	MESSAGE TEXT	DESCRIPTION
COOFFSET2	OFFSET2=0.000 CO OFFSET2=0.000 ⁷	CO offset for range #2 in dual range mode, computed during zero/span calibration.
CO2SLOPE ⁷	CO2 SLOPE=1.000	CO ₂ slope, computed during zero/span calibration.
CO2OFFSET ⁷	CO2 OFFSET=0.000	CO ₂ offset, computed during zero/span calibration.
O2SLOPE ¹⁰	O2 SLOPE=0.980	O ₂ slope, computed during zero/span calibration.
O2OFFSET ¹⁰	O2 OFFSET=1.79 %	O ₂ offset, computed during zero/span calibration.
CO	CO=17.7 PPM ³	CO concentration for current range.
CO2 ⁷	CO2=15.0 %	CO ₂ concentration.
O2 ¹⁰	O2=0.00 %	O ₂ concentration.
TESTCHAN	TEST=1751.4 MV	Value output to <i>TEST_OUTPUT</i> analog output, selected with <i>TEST_CHAN_ID</i> variable.
CLOCKTIME	TIME=09:52:20	Current instrument time of day clock.
RANGE(s)	User Configurable	
CO2RANGE	CO2 RANGE=20 % ¹	CO ₂ range.
O2RANGE	O2 RANGE=100 % ²	O ₂ range.
STABILITY	STABIL=0.0 PPM CO STB=0.0 PPM ^{1,2} CO2 STB=0.0 % ¹ O2 STB=0.0 % ²	Concentration stability (standard deviation based on setting of <i>STABIL_FREQ</i> and <i>STABIL_SAMPLES</i>).
COMEAS	CO MEAS=4125.0 MV	Detector measure reading.
COREF	CO REF=3750.0 MV	Detector reference reading.
MRRATIO	MR RATIO=1.100	Measure/reference ratio.
SAMPPRESS	PRES=29.9 IN-HG-A	Sample pressure.
SAMPFLOW	SAMP FL=751 CC/M	Sample flow rate.
SAMPTEMP	SAMPLE TEMP=26.8 C	Sample temperature.
BENCHTEMP	BENCH TEMP=48.1 C	Bench temperature.
WHEELTEMP	WHEEL TEMP=68.1 C	Wheel temperature.
O2CELLTEMP ²	O2 CELL TEMP=50.2 C	O ₂ sensor cell temperature.
BOXTEMP	BOX TEMP=26.8 C	Internal chassis temperature.
PHOTOTEMP	PHT DRIVE=2500.0 MV	Photometer temperature.
COSLOPE	SLOPE=1.000 CO SLOPE=1.000 ¹	CO slope for current range, computed during zero/span calibration.
COSLOPE1	SLOPE1=1.000 CO SLOPE1=1.000 ¹	CO slope for range #1 in dual range mode, computed during zero/span calibration.
COSLOPE2	SLOPE2=1.000 CO SLOPE2=1.000 ¹	CO slope for range #2 in dual range mode, computed during zero/span calibration.
COOFFSET	OFFSET=0.000 CO OFFSET=0.000 ¹	CO offset for current range, computed during zero/span calibration.
COOFFSET1	OFFSET1=0.000 CO OFFSET1=0.000 ¹	CO offset for range #1 in dual range mode, computed during zero/span calibration.
COOFFSET2	OFFSET2=0.000 CO OFFSET2=0.000 ¹	CO offset for range #2 in dual range mode, computed during zero/span calibration.
CO2SLOPE ¹	CO2 SLOPE=1.000	CO ₂ slope, computed during zero/span calibration.
CO2OFFSET ¹	CO2 OFFSET=0.000	CO ₂ offset, computed during zero/span calibration.

TEST FUNCTION NAME	MESSAGE TEXT	DESCRIPTION
O2SLOPE ²	O2 SLOPE=0.980	O ₂ slope, computed during zero/span calibration.
O2OFFSET ²	O2 OFFSET=1.79 %	O ₂ offset, computed during zero/span calibration.
CO	CO=17.7 PPM	CO concentration for current range.
CO2 ¹	CO2=15.0 %	CO ₂ concentration.
O2 ²	O2=0.00 WT%	O ₂ concentration.
TESTCHAN	TEST=1751.4 MV	Value output to <i>TEST_OUTPUT</i> analog output, selected with <i>TEST_CHAN_ID</i> variable.
CLOCKTIME	TIME=09:52:20	Current instrument time of day clock.
¹ The name is used to request a message via the RS-232 interface, as in "T BOXTEMP" ² Engineering software ³ Current instrument units ⁴ T300U, M300EU ⁵ T300H, M300EH ⁶ Except T360U, M360EU (APR version) ⁷ T360, M360E ⁸ Sample pressure or differential pressure flow measurement option ⁹ GFC7000E ¹⁰ O ₂ option ¹¹ T300U2, T320U2, M300EU2, M320EU2		

APPENDIX A-4: Signal I/O Definitions

Table A-4: Signal I/O Definitions for T300/T300M and M300E/EM Series Analyzers, Revision L.8

Signal Name	Bit or Channel Number	Description
Internal inputs, U7, J108, pins 9–16 = bits 0–7, default I/O address 322 hex		
SYNC_OK	0	1 = sync. OK 0 = sync. error
	1–7	Spare
Internal outputs, U8, J108, pins 1–8 = bits 0–7, default I/O address 322 hex		
ELEC_TEST	0	1 = electrical test on 0 = off
DARK_CAL	1	1 = dark calibration on 0 = off
	2–5	Spare
I2C_RESET	6	1 = reset I2C peripherals 0 = normal
I2C_DRV_RST	7	0 = hardware reset 8584 chip 1 = normal
Control inputs, U11, J1004, pins 1–6 = bits 0–5, default I/O address 321 hex		
EXT_ZERO_CAL	0	0 = go into zero calibration 1 = exit zero calibration
EXT_SPAN_CAL	1	0 = go into span calibration 1 = exit span calibration
REMOTE_RANGE_HI	2	0 = select high range during contact closure calibration 1 = select low range
	3–5	Spare
	6–7	Always 1
Control inputs, U14, J1006, pins 1–6 = bits 0–5, default I/O address 325 hex		
	0–5	Spare
	6–7	Always 1
Control outputs, U17, J1008, pins 1–8 = bits 0–7, default I/O address 321 hex		
	0–7	Spare
Control outputs, U21, J1008, pins 9–12 = bits 0–3, default I/O address 325 hex		
	0–3	Spare

Signal Name	Bit or Channel Number	Description
Alarm outputs, U21, J1009, pins 1–12 = bits 4–7, default I/O address 325 hex		
ST_SYSTEM_OK2	4	1 = system OK 0 = any alarm condition or in diagnostics mode
ST_CONC_ALARM_1 ⁸	5	1 = conc. limit 1 exceeded 0 = conc. OK
ST_HIGH_RANGE ^{10 + 13}	5	1 = high auto-range in use 0 = low auto-range
ST_CONC_ALARM_2 ⁸	6	1 = conc. limit 2 exceeded 0 = conc. OK
ST_ZERO_CAL ^{10 + 13}	6	1 = in zero calibration 0 = not in zero
ST_HIGH_RANGE2 ¹⁶	7	1 = high auto-range in use (mirrors ST_HIGH_RANGE status output) 0 = low auto-range
A status outputs, U24, J1017, pins 1–8 = bits 0–7, default I/O address 323 hex		
ST_SYSTEM_OK	0	0 = system OK 1 = any alarm condition
ST_CONC_VALID	1	0 = conc. valid 1 = hold off or other conditions
ST_HIGH_RANGE	2	0 = high auto-range in use 1 = low auto-range
ST_ZERO_CAL	3	0 = in zero calibration 1 = not in zero
ST_SPAN_CAL	4	0 = in span calibration 1 = not in span
ST_DIAG_MODE	5	0 = in diagnostic mode 1 = not in diagnostic mode
ST_AUTO_REF ³	6	0 = in auto-reference mode 1 = not in auto-reference mode
	7	Spare
B status outputs, U27, J1018, pins 1–8 = bits 0–7, default I/O address 324 hex		
ST_AUTO_REF ²	0	0 = in auto-reference mode 1 = not in auto-reference mode
	1–5	Spare
ST_CO2_CAL ⁷	6	0 = in CO ₂ calibration 1 = not in CO ₂ calibration
ST_O2_CAL ⁵	7	0 = in O ₂ calibration 1 = not in O ₂ calibration

Signal Name	Bit or Channel Number	Description
Front panel I²C keyboard, default I²C address 4E hex		
MAINT_MODE	5 (input)	0 = maintenance mode 1 = normal mode
LANG2_SELECT	6 (input)	0 = select second language 1 = select first language (English)
SAMPLE_LED	8 (output)	0 = sample LED on 1 = off
CAL_LED	9 (output)	0 = cal. LED on 1 = off
FAULT_LED	10 (output)	0 = fault LED on 1 = off
AUDIBLE_BEEPER	14 (output)	0 = beeper on (for diagnostic testing only) 1 = off
Relay board digital output (PCF8574), default I²C address 44 hex		
RELAY_WATCHDOG	0	Alternate between 0 and 1 at least every 5 seconds to keep relay board active
WHEEL_HTR	1	0 = wheel heater on 1 = off
BENCH_HTR	2	0 = optical bench heater on 1 = off
O2_CELL_HEATER ⁵	3	0 = O ₂ sensor cell heater on 1 = off
BOX2_HEATER ³ , OVEN_HEATER ¹⁵	3	0 = internal box temperature #2/oven heater on 1 = off
CAL_VALVE	4	0 = let cal. gas in 1 = let sample gas in
SPAN_VALVE	5	0 = let span gas in 1 = let zero gas in
ZERO_SCRUB_VALVE ^{2,3}	6	0 = open zero scrubber valve 1 = close
SHUTOFF_VALVE	6 7 ^{3,15}	0 = energize shutoff valve 1 = de-energize
IR_SOURCE_ON	7 n/a ^{3,15}	0 = IR source on 1 = off

Signal Name	Bit or Channel Number	Description
Rear board primary MUX analog inputs		
SAMPLE_PRESSURE	0	Sample pressure
VACUUM_PRESSURE ⁶	1	Vacuum pressure
PURGE_PRESSURE ^{9, 10}	1	Purge pressure
CO_MEASURE	2	Detector measure reading
CO_REFERENCE	3	Detector reference reading
	4	Temperature MUX
SAMPLE_FLOW	5	Sample flow
PHOTO_TEMP	6	Photometer detector temperature
TEST_INPUT_7	7	Diagnostic test input
TEST_INPUT_8	8	Diagnostic test input
REF_4096_MV	9	4.096V reference from MAX6241
O2_SENSOR ⁵	10	O ₂ concentration sensor
	11	Spare
CO2_SENSOR ⁷	12	CO ₂ concentration sensor
	13	Spare
	14	DAC loopback MUX
REF_GND	15	Ground reference
Rear board temperature MUX analog inputs		
BOX_TEMP	0	Internal box temperature
SAMPLE_TEMP	1	Sample temperature
BENCH_TEMP	2	Optical bench temperature
WHEEL_TEMP	3	Wheel temperature
TEMP_INPUT_4	4	Diagnostic temperature input
TEMP_INPUT_5	5	Diagnostic temperature input
O2_CELL_TEMP ⁵	6	O ₂ sensor cell temperature
BOX2_TEMP ³ OVEN_TEMP ^{19,23}	6	Internal box temperature #2 / oven temperature
	7	Spare
Rear board DAC MUX analog inputs		
DAC_CHAN_1	0	DAC channel 0 loopback
DAC_CHAN_2	1	DAC channel 1 loopback
DAC_CHAN_3	2	DAC channel 2 loopback
DAC_CHAN_4	3	DAC channel 3 loopback

Signal Name	Bit or Channel Number	Description
Rear board analog outputs		
CONC_OUT_1, DATA_OUT_1	0	Concentration output #1 (CO, range #1), Data output #1
CONC_OUT_2, DATA_OUT_2	1	Concentration output #2 (CO, range #2), Data output #2
CONC_OUT_3, ^{7,5} DATA_OUT_3	2	Concentration output #3 (CO ₂ or O ₂), Data output #3
TEST_OUTPUT, DATA_OUT_4	3	Test measurement output, Data output #4
¹ Hessen protocol ² T300H, M300EH ³ T300U, M300EU ⁴ T320, M320E ⁵ O ₂ option ⁶ Sample pressure or differential pressure flow measurement option ⁷ CO ₂ option ⁸ Concentration alarms option ⁹ T360, M360E ¹⁰ GFC7000E ¹¹ T300M, M300EM ¹³ Air Products special #1 ¹⁴ Air Products special #2 ¹⁵ T300U2, M300EU2 ¹⁶ High auto range relay option		

APPENDIX A-5: DAS Triggers and Parameters**Table A-5: T300/T300M and M300E/EM DAS Trigger Events, Revision L.8**

Name	Description
ATIMER	Automatic timer expired
EXITZR	Exit zero calibration mode
EXITSP	Exit span calibration mode
EXITMP	Exit multi-point calibration mode
EXITC2 ⁵	Exit CO ₂ calibration mode
SLPCHG	Slope and offset recalculated
CO2SLC ⁵	CO ₂ slope and offset recalculated
O2SLPC ⁷	O ₂ slope and offset recalculated
EXITDG	Exit diagnostic mode
SOURCW	Source warning
AZEROW ^{1,2}	Auto-zero warning
CONCW1 ^{1,3,4}	Concentration limit 1 exceeded
CONCW2 ^{1,3,4}	Concentration limit 2 exceeded
SYNCW	Sync warning
BNTMPW	Bench temperature warning
WTEMPW	Wheel temperature warning
O2TMPW ⁷	O ₂ sensor cell temperature warning
STEMPW	Sample temperature warning
SFLOWW ⁶	Sample flow warning
SPRESW	Sample pressure warning
PPRESW ⁴	Purge pressure warning
BTEMPW	Internal box temperature warning
BTMP2W ² , OVTMPW ⁸	Internal box temperature #2/oven warning
PTEMPW	Photometer detector temperature warning
¹ T300H, M300EH	
² T300U, M300EU	
³ T320, M320E	
⁴ GFC7000E	
⁵ T360, M360E	
⁶ Except M360EU (APR version)	
⁷ O ₂ option	
⁸ T300U2, T320U2, M300EU2, M320EU2	

Table A-6: T300/T300M and M300E/EM DAS Parameters, Revision L.8

Name	Description	Units
DETMES	Detector measure reading	mV
DETRF	Detector reference reading	mV
RATIO	M/R ratio.	none
SLOPE1	Slope for range #1	none
SLOPE2	Slope for range #2	none
OFSET1	Offset for range #1	none
OFSET2	Offset for range #2	none
CO2SLP ⁵	CO ₂ slope	none
CO2OFS ⁵	CO ₂ offset	%
O2SLPE ⁸	O ₂ slope	none
O2OFST ⁸	O ₂ offset	%
AZERO ^{1,2}	Auto-zero reading	M/R
ZSCNC1	Concentration for range #1 during zero/span calibration, just before computing new slope and offset	PPM
ZSCNC2	Concentration for range #2 during zero/span calibration, just before computing new slope and offset	PPM
CO2ZSC ⁵	CO ₂ concentration during zero/span calibration, just before computing new slope and offset	%
O2ZSCN ⁸	O ₂ concentration during zero/span calibration, just before computing new slope and offset	%
CONC1	Concentration for range #1	PPM
CONC2	Concentration for range #2	PPM
CO2CNC ⁵	CO ₂ concentration	%
O2CONC ⁸	O ₂ concentration	%
STABIL	Concentration stability	PPM
BNTEMP	Bench temperature	°C
BNCPTY	Bench temperature control duty cycle	Fraction (0.0 = off, 1.0 = on full)
WTEMP	Wheel temperature	°C
WHLPTY	Wheel temperature control duty cycle	Fraction (0.0 = off, 1.0 = on full)
O2TEMP ⁸	O ₂ sensor cell temperature	°C
SMPTMP	Sample temperature	°C
SMPFLW ⁶	Sample flow	cc/m
SMPPRS	Sample pressure	"Hg
VACUUM ^{1,3,6}	Vacuum pressure	"Hg
PRGPRS ⁴	Purge pressure	PSIG
BOXTMP	Internal box temperature	°C
BX2TMP ² , OVNTMP ⁹	Internal box temperature #2/oven	°C

Name	Description	Units
BX2DTY ² , OVNDTY ⁹	Internal box temperature #2/oven control duty cycle	Fraction (0.0 = off, 1.0 = on full)
PHTDRV	Photometer detector temperature drive	mV
TEST7	Diagnostic test input (TEST_INPUT_7)	mV
TEST8	Diagnostic test input (TEST_INPUT_8)	mV
TEMP4	Diagnostic temperature input (TEMP_INPUT_4)	°C
TEMP5	Diagnostic temperature input (TEMP_INPUT_5)	°C
REFGND	Ground reference (REF_GND)	mV
RF4096	4096 mV reference (REF_4096_MV)	mV
XIN1 ⁴	Channel 1 Analog In	
XIN1SLPE ⁴	Channel 1 Analog In Slope	
XIN1OFST ⁴	Channel 1 Analog In Offset	
XIN2 ⁴	Channel 2 Analog In	
XIN2SLPE ⁴	Channel 2 Analog In Slope	
XIN2OFST ⁴	Channel 2 Analog In Offset	
XIN3 ⁴	Channel 3 Analog In	
XIN3SLPE ⁴	Channel 3 Analog In Slope	
XIN3OFST ⁴	Channel 3 Analog In Offset	
XIN4 ⁴	Channel 4 Analog In	
XIN4SLPE ⁴	Channel 4 Analog In Slope	
XIN4OFST ⁴	Channel 4 Analog In Offset	
XIN5 ⁴	Channel 5 Analog In	
XIN5SLPE ⁴	Channel 5 Analog In Slope	
XIN5OFST ⁴	Channel 5 Analog In Offset	
XIN6 ⁴	Channel 6 Analog In	
XIN6SLPE ⁴	Channel 6 Analog In Slope	
XIN6OFST ⁴	Channel 6 Analog In Offset	
XIN7 ⁴	Channel 7 Analog In	
XIN7SLPE ⁴	Channel 7 Analog In Slope	
XIN7OFST ⁴	Channel 7 Analog In Offset	
XIN8 ⁴	Channel 8 Analog In	
XIN8SLPE ⁴	Channel 8 Analog In Slope	
XIN8OFST ⁴	Channel 8 Analog In Offset	
¹ T300H, M300EH		
² T300U, M300EU		
³ T320, M320E		
⁴ GFC7000E		
⁵ T360, M360E		
⁶ Except T360U, M360EU (APR version)		
⁷ The units, including the concentration units, are always fixed, regardless of the current instrument units		
⁸ O ₂ option		
⁹ T300U2, T320U2, M300EU2, M320EU2		

APPENDIX A-6: Terminal Command Designators

Table A-7: Terminal Command Designators

COMMAND	ADDITIONAL COMMAND SYNTAX	DESCRIPTION
? [ID]		Display help screen and commands list
LOGON [ID]	password	Establish connection to instrument
LOGOFF [ID]		Terminate connection to instrument
T [ID]	SET ALL name hexmask	Display test(s)
	LIST [ALL name hexmask] [NAMES HEX]	Print test(s) to screen
	name	Print single test
	CLEAR ALL name hexmask	Disable test(s)
W [ID]	SET ALL name hexmask	Display warning(s)
	LIST [ALL name hexmask] [NAMES HEX]	Print warning(s)
	name	Clear single warning
	CLEAR ALL name hexmask	Clear warning(s)
C [ID]	ZERO LOWSPAN SPAN [1 2]	Enter calibration mode
	ASEQ number	Execute automatic sequence
	COMPUTE ZERO SPAN	Compute new slope/offset
	EXIT	Exit calibration mode
	ABORT	Abort calibration sequence
D [ID]	LIST	Print all I/O signals
	name [=value]	Examine or set I/O signal
	LIST NAMES	Print names of all diagnostic tests
	ENTER name	Execute diagnostic test
	EXIT	Exit diagnostic test
	RESET [DATA] [CONFIG] [exitcode]	Reset instrument
	PRINT ["name"] [SCRIPT]	Print DAS configuration
	RECORDS ["name"]	Print number of DAS records
	REPORT ["name"] [RECORDS=number] [FROM=<start date>][TO=<end date>][VERBOSE COMPACT HEX] (Print DAS records)(date format: MM/DD/YYYY(or YY) [HH:MM:SS])	Print DAS records
	CANCEL	Halt printing DAS records
V [ID]	LIST	Print setup variables
	name [=value [warn_low [warn_high]]]	Modify variable
	name="value"	Modify enumerated variable
	CONFIG	Print instrument configuration
	MAINT ON OFF	Enter/exit maintenance mode
	MODE	Print current instrument mode
	DASBEGIN [<data channel definitions>] DASEND	Upload DAS configuration
	CHANNELBEGIN propertylist CHANNELEND	Upload single DAS channel
	CHANNELDELETE ["name"]	Delete DAS channels

The command syntax follows the command type, separated by a space character. Strings in [brackets] are optional designators. The following key assignments also apply.

Table A-8: Terminal Key Assignments

TERMINAL KEY ASSIGNMENTS	
ESC	Abort line
CR (ENTER)	Execute command
Ctrl-C	Switch to computer mode
COMPUTER MODE KEY ASSIGNMENTS	
LF (line feed)	Execute command
Ctrl-T	Switch to terminal mode

APPENDIX A-7: MODBUS Register Map**Table A-9: MODBUS Register Map**

MODBUS Register Address (dec., 0-based)	Description	Units
MODBUS Floating Point Input Registers (32-bit IEEE 754 format; read in high-word, low-word order; read-only)		
0	Detector measure reading	mV
2	Detector reference reading	mV
4	M/R ratio.	none
6	Slope for range #1	none
8	Slope for range #2	none
10	Offset for range #1	none
12	Offset for range #2	none
14	Concentration for range #1 during zero/span calibration, just before computing new slope and offset	PPM
16	Concentration for range #2 during zero/span calibration, just before computing new slope and offset	PPM
18	Concentration for range #1	PPM
20	Concentration for range #2	PPM
22	Concentration stability	PPM
24	Bench temperature	°C
26	Bench temperature control duty cycle	Fraction (0.0 = off, 1.0 = on full)
28	Wheel temperature	°C
30	Wheel temperature control duty cycle	Fraction (0.0 = off, 1.0 = on full)
32	Sample temperature	°C
34	Sample pressure	"Hg
36	Internal box temperature	°C
38	Photometer detector temperature drive	mV

MODBUS Register Address (dec., 0-based)	Description	Units
40	Diagnostic test input (TEST_INPUT_7)	mV
42	Diagnostic test input (TEST_INPUT_8)	mV
44	Diagnostic temperature input (TEMP_INPUT_4)	°C
46	Diagnostic temperature input (TEMP_INPUT_5)	°C
48	Ground reference (REF_GND)	mV
50	4096 mV reference (REF_4096_MV)	mV
52 ¹	Purge pressure	PSIG
54 ¹	Sample flow	cc/m
56 ¹	Vacuum pressure	"Hg
58 ¹	Internal box temperature #2/oven	°C
60 ¹	Internal box temperature #2/oven control duty cycle	Fraction (0.0 = off, 1.0 = on full)
62 ¹	Auto-zero reading	M/R
100 ²	O ₂ concentration	%
102 ²	O ₂ concentration during zero/span calibration, just before computing new slope and offset	%
104 ²	O ₂ slope	—
106 ²	O ₂ offset	%
108 ²	O ₂ sensor cell temperature	°C
200 ³	CO ₂ concentration	%
202 ³	CO ₂ concentration during zero/span calibration, just before computing new slope and offset	%
204 ³	CO ₂ slope	—
206 ³	CO ₂ offset	%
MODBUS Floating Point Holding Registers (32-bit IEEE 754 format; read/write in high-word, low-word order; read/write)		
0	Maps to CO_SPAN1 variable; target conc. for range #1	Conc. units
2	Maps to CO_SPAN2 variable; target conc. for range #2	Conc. units
100 ²	Maps to O2_TARG_SPAN_CONC variable	%
200 ³	Maps to CO2_TARG_SPAN_CONC variable	%

MODBUS Register Address (dec., 0-based)	Description	Units
MODBUS Discrete Input Registers (single-bit; read-only)		
0	Source warning	
1	Box temperature warning	
2	Bench temperature warning	
3	Wheel temperature warning	
4	Sample temperature warning	
5	Sample pressure warning	
6	Photometer detector temperature warning	
7	System reset warning	
8	Rear board communication warning	
9	Relay board communication warning	
10	Front panel communication warning	
11	Analog calibration warning	
12	Dynamic zero warning	
13	Dynamic span warning	
14	Invalid concentration	
15	In zero calibration mode	
16	In span calibration mode	
17	In multi-point calibration mode	
18	System is OK (same meaning as SYSTEM_OK I/O signal)	
19 ¹	Purge pressure warning	
20 ¹	Sample flow warning	
21 ¹	Internal box temperature #2/oven warning	
22 ¹	Concentration limit 1 exceeded	
23 ¹	Concentration limit 2 exceeded	
24 ¹	Auto-zero warning	
25 ¹	Sync warning	
26 ¹	In Hessen manual mode	
100 ²	In O ₂ calibration mode	
101 ²	O ₂ cell temperature warning	
102 ^{1,2}	O ₂ concentration limit 1 exceeded	
103 ^{1,2}	O ₂ concentration limit 2 exceeded	
200 ³	In CO ₂ calibration mode	
201 ^{1,3}	CO ₂ concentration limit 1 exceeded	
202 ^{1,3}	CO ₂ concentration limit 2 exceeded	

MODBUS Register Address (dec., 0-based)	Description	Units
MODBUS Coil Registers (single-bit; read/write)		
0	Maps to relay output signal 36 (<i>MB_RELAY_36</i> in signal I/O list)	
1	Maps to relay output signal 37 (<i>MB_RELAY_37</i> in signal I/O list)	
2	Maps to relay output signal 38 (<i>MB_RELAY_38</i> in signal I/O list)	
3	Maps to relay output signal 39 (<i>MB_RELAY_39</i> in signal I/O list)	
20 ⁴	Triggers zero calibration of range #1 (on enters cal.; off exits cal.)	
21 ⁴	Triggers span calibration of range #1 (on enters cal.; off exits cal.)	
22 ⁴	Triggers zero calibration of range #2 (on enters cal.; off exits cal.)	
23 ⁴	Triggers span calibration of range #2 (on enters cal.; off exits cal.)	
¹ Optional ² O ₂ option ³ CO ₂ option ⁴ Set <i>DYN_ZERO</i> or <i>DYN_SPAN</i> variables to <i>ON</i> to enable calculating new slope or offset. Otherwise a calibration check is performed.		

APPENDIX B - Spare Parts

Note Use of replacement parts other than those supplied by T-API may result in non compliance with European standard EN 61010-1.

Note Due to the dynamic nature of part numbers, please refer to the Website or call Customer Service for more recent updates to part numbers.

This page intentionally left blank.

T300 Spare Parts List
 PN 06849A DCN5809 08/18/2010
 1 of 2 page(s)

Part Number	Description
000940600	ORIFICE, 10 MIL, SPAN GAS FLOW CONTROL
000940700	ORIFICE, 5 MIL, FLOW CONTROL, 02 OPTION
000941000	ORIFICE, 13 MIL (SAMPLE FLOW)
001760400	ASSY, FLOW CTL, 800CC, 1/4" CONN-B
001761300	ASSY, SPAN GAS FLOW CONTROL
001763000	ASSY, FLOW CTL, 110CC, 1/8" -B
003291500	ASSY, THERMISTOR, BENCH/WHEEL
006110200	ASSY, MOTOR WHEEL HEATER
009450300	ASSY, ZERO/SPAN VALVES, CO
009550500	ASSY, SOURCE
009560301	FILTER WHEEL, CO
009600400	AKIT, EXPENDABLES, CO
009690000	AKIT, TFE FLTR ELEM (FL6 100=1) 47mm
009690100	AKIT, TFE FLTR ELEM (FL6, 30=1) 47mm
009840300	ASSY, SHUT-OFF VALVE W/FLOW CONTROL
010790000	INPUT MIRROR, REPLICATED(KB)
010800000	OUTPUT MIRROR, REPLICATED(KB)
016290000	WINDOW, SAMPLE FILTER, 47MM (KB)
016300600	ASSY, SAMPLE FILTER, 47MM, ANG BKT, 5UM
016910000	AKIT, EXP KIT, CO CATALYST
019340200	ASSY, SAMPLE THERMISTOR, BRASS
033520000	MIRROR, OBJECT, 32 PASS, (KB)
033560000	MIRROR, FIELD, 32 PASS, (KB)
036020100	ASSY, SENSOR, CO, (KB)
037250000	ASSY, HEATER, OPTICAL BENCH
037860000	ORING, TFE RETAINER, SAMPLE FILTER
039260101	DETECTOR, CO, w/BANDPASS FILTER *
040010000	ASSY, FAN REAR PANEL
040030100	PCA, FLOW/PRESSURE
040370000	ASSY, CO SCRUBBER, (KB)
041350000	PCA, RELAY BOARD, CO
042410100	ASSY, PUMP W/FLOW CONTROL
042410200	ASSY, PUMP, INT, SOX/O3/IR *
042580000	PCA, KEYBOARD, W/V-DETECT
042680000	ASSY, VALVE, FOR SAMPLE/CAL VALVE ASSY
042690000	ASSY, VALVE, SHUT-OFF
043250100	CONFIGURATION PLUGS, 115V/60Hz
043250300	CONFIGURATION PLUGS, 220-240V/50Hz
043250400	CONFIGURATION PLUGS, 220-240V/60Hz
043420000	ASSY, HEATER/THERMISTOR, O2 OPTION
050320000	PCA, PHOTO-INTERRUPTER
052830200	ASSY, MOTOR HUB, MR7
055010000	ASSY, MTR WHL HEATER w/THERM, 200W
055100200	ASSY, OPTION, PUMP, 240V *

T300 Spare Parts List
 PN 06849A DCN5809 08/18/2010
 2 of 2 page(s)

Part Number	Description
058021100	PCA, E-SERIES MOTHERBD, GEN 5-ICOP (ACCEPTS ACROSSER OR ICOP CPU)
062420200	PCA, SER INTRFACE, ICOP CPU, E- (OPTION) (USE WITH ICOP CPU 062870000)
066970000	PCA, INTRF. LCD TOUCH SCRNR, F/P
067240000	CPU, PC-104, VSX-6154E, ICOP *
067300000	PCA, AUX-I/O BD, ETHERNET, ANALOG & USB
067300100	PCA, AUX-I/O BOARD, ETHERNET
067300200	PCA, AUX-I/O BOARD, ETHERNET & USB
067900000	LCD MODULE, W/TOUCHSCREEN
068260100	DOM, w/SOFTWARE, T300 *
068640000	MANUAL, T300, OPERATORS
068810000	PCA, LVDS TRANSMITTER BOARD
069500000	PCA, SERIAL & VIDEO INTERFACE BOARD
072150000	ASSY. TOUCHSCREEN CONTROL MODULE
CN0000458	CONNECTOR, REAR PANEL, 12 PIN
CN0000520	CONNECTOR, REAR PANEL, 10 PIN
FL0000001	FILTER, SS
FM0000004	FLOWMETER (KB)
HW0000005	FOOT, CHASSIS
HW0000020	SPRING
HW0000036	TFE TAPE, 1/4" (48 FT/ROLL)
HW0000101	ISOLATOR
HW0000453	SUPPORT, CIRCUIT BD, 3/16" ICOP
KIT000032	REPLACEMENT, CO FILTER WHEEL ASSY
KIT000178	RETROFIT, SYNC DMOD w/DETECTOR
KIT000219	PCA, 4-20MA OUTPUT, E-OPTION
OP0000009	WINDOW, IR SOURCE/BENCH
OR0000001	ORING, FLOW CONTROL
OR0000034	ORING, INPUT & OUTPUT MIRRORS
OR0000039	ORING, IR SOURCE/BENCH
OR0000041	ORING, OBJECT & FIELD MIRRORS
OR0000088	ORING, DETECTOR
OR0000094	ORING, SAMPLE FILTER
PS0000011	PWR SUPPLY, SW, +5V, +/-15V, 40W (KB)
PS0000024	COVER ENCLOSURE KIT,LPX 40/60 (KB)
PS0000025	PWR SUPPLY, SW, 12V, 40W (KB)
PU0000022	REBUILD KIT, FOR PU20 & 04241 (KB)
RL0000015	RELAY, DPDT, (KB)
SW0000051	SWITCH, POWER CIRC BREAK VDE/CE, w/RG(KB)
SW0000059	PRESSURE SENSOR, 0-15 PSIA, ALL SEN
WR0000008	POWER CORD, 10A(KB)

T300 Recommended Spare Parts Stocking Levels

(Reference 06563A DCN6306)

Recommended Spare Parts Stocking Level: Standard

Part Number	Description	Units				
		1	2-5	6-10	11-20	21-30
003290500	Wheel Thermistor Assembly (885-071600)	1	1	1	2	2
006110200	Assembly, Motor Wheel Heater, 50W 120V			1	2	2
009550400	Source Assembly (with Adapter) < SN 65	1	1	2	2	3
009550500	Source Assembly > SN 65	1	1	2	2	3
009560301	Gas Filter Wheel				1	1
037250100	Bench Band Heater		1	1	2	2
040010000	Assembly, Fan	1	1	2	2	3
040030100	PCA, PRESS SENSORS (1X), w/FM4, E SERIES			1	2	3
042410200 *	Pump, 115V 50/60 Hz				2	2
050320000	PCA, Wheel Position Sensor		1	1	2	2
052830100	ASSY, MOTOR HUB, MR7, "A", 115V			1	1	2
055010000	ASSY, MTR WHL HEATER w/THERM, 200W			1	2	2
058021100	PCA, E-SERIES MOTHERBOARD, GEN 5-I				1	2
067240000	CPU, PC-104, VSX-6154E, ICOP *(KB)			1	1	1
KIT000159	REPLACEMENT, RELAY BD, M300E		1	1	2	2
KIT000178	RETROFIT, SYNC DMOD w/DETECTOR, M300E			1	2	2
KIT000253	KIT, SPARE PS37		1	1	1	2
KIT000254	KIT, SPARE PS38		1	1	1	2
RL0000015	Relay	1	1	2	2	2
067900000	LCD MODULE, W/TOUCHSCREEN(KB)				1	2
066970000	PCA, INTRF. LCD TOUCH SCRNM, F/P				1	2
068810000	PCA, LVDS TRANSMITTER BOARD				1	2
072150000	TOUCHSCREEN CONTROL MODULE			1	2	3

* Recommended Spare Parts Stocking Level: For Pump Assembly, 240V Option Installed

Part Number	Description	Units				
		1	2-5	6-10	11-20	21-30
055100200	OPTION, PUMP ASSY, 240V			1	2	2

Recommended Spare Parts Stocking Level: For O₂ Option Installed

Part Number	Description	Units				
		1	2-5	6-10	11-20	21-30
OP0000030	OXYGEN TRANSDUCER, PARAMAGNETIC				1	1

Recommended Spare Parts Stocking Level: For IZS Option Installed

Part Number	Description	Units				
		1	2-5	6-10	11-20	21-30
042690000	Valve Assy, 2-Way, On/Off			1	1	2
042680000	Valve Assy, 3-Way			1	1	2

T300M Spare Parts List

(Reference: 074660000, 01/17/2012/ 13:05)

PARTNUMBER	DESCRIPTION
037250100	ASSY, STRIP HEATER W/TC
037860000	ORING, TEFLON, RETAINING RING, 47MM (KB)
039260101	DETECTOR, CO, w/BANDPASS FILTER *
040010000	ASSY, FAN REAR PANEL (B/F)
040030100	PCA, PRESS SENSORS (1X), w/FM4
040360100	AKIT, SPARE PARTS, M300E/M
040370000	ASSY, CO SCRUBBER
041350000	PCA, RELAY BOARD, CO(KB)
042410100	ASSY, PUMP, INT, (CO) W/ 800CC FLOW
042410200	ASSY, PUMP, INT, SOX/O3/IR *
042680000	ASSY, VALVE (SS)
042690000	ASSY, VALVE , 2-WAY, 12V
042990100	ASSY, SENSOR, M300EM
043250100	ASSY, PWR CONF, 100-120V/60HZ, IR
043250300	OPTION, PWR CONF, 220-240V/50HZ, IR
043250400	OPTION, PWR CONF, 220-240V/60HZ, IR
050320000	PCA, OPTO-INTERRUPTER
052830200	ASSY, MOTOR HUB, MR7
055010000	ASSY, MTR WHL HEATER w/THERM, 200W
055100200	ASSY, OPTION, PUMP, 240V *
058021100	PCA, MOTHERBD, GEN 5-ICOP
066970000	PCA, INTRF. LCD TOUCH SCRNB, F/P
067240000	CPU, PC-104, VSX-6154E, ICOP *(KB)
067300000	PCA, AUX-I/O BD, ETHERNET, ANALOG & USB
067300100	PCA, AUX-I/O BOARD, ETHERNET
067300200	PCA, AUX-I/O BOARD, ETHERNET & USB
067900000	LCD MODULE, W/TOUCHSCREEN(KB)
068640000	MANUAL, T300/T300M, OPERATORS
068810000	PCA, LVDS TRANSMITTER BOARD
069500000	PCA, SERIAL & VIDEO INTERFACE BOARD
072150000	ASSY. TOUCHSCREEN CONTROL MODULE
074650100	DOM, w/SOFTWARE, STD, T300M
CN0000073	POWER ENTRY, 120/60 (KB)
036100000	OPTION, IZS, CO (KB)
036090000	OPTION, Z/S, CO (KB)
036080000	OPTION, Z/S & SO VALVE, CO (KB)
036070000	OPTION, IZS & SO VALVE, CO (KB)
026070000	MIRROR, FIELD, 8 PASS
026060000	MIRROR, OBJECTIVE, 8 PASS
019340200	ASSY, SAMPLE THERMISTOR, BRASS
016300600	ASSY, SAMPLE FILTER, 47MM, ANG BKT, 5UM
016290000	WINDOW, SAMPLE FILTER, 47MM (KB)
010800000	OUTPUT MIRROR, REPLICATED(KB)
010790000	INPUT MIRROR, REPLICATED(KB)
009840300	ASSY, SHUT-OFF VALVE, (KB)
009690100	AKIT, TFE FLTR ELEM (FL6, 30=1) 47mm
009690000	AKIT, TFE FLTR ELEM (FL6 100=1) 47mm
009600400	AKIT, EXPENDABLES, CO
009560301	GF WHEEL, CO, (KB) *

T300M Spare Parts List

(Reference: 074660000, 01/17/2012/ 13:05)

PARTNUMBER	DESCRIPTION
009550500	ASSY, SOURCE
009450300	ASSY, ZERO/SPAN VALVES, CO
009390000	APERTURE (KB)
003291500	ASSY, THERMISTOR, BENCH/WHEEL
001761300	ASSY, FLOW CTRL, .010, 1/8", SS
001760400	ASSY, FLOW CTL, 800CC, 1/4" CONN-B
000941000	CD, ORIFICE, .013 BLUE/GREEN
000940600	CD, ORIFICE, .010 BROWN
CN0000458	PLUG, 12, MC 1.5/12-ST-3.81 (KB)
CN0000520	PLUG, 10, MC 1.5/10-ST-3.81 (KB)
FL0000001	FILTER, SS (KB)
FM0000004	FLOWMETER (KB)
HW0000005	FOOT
HW0000020	SPRING
HW0000036	TFE TAPE, 1/4" (48 FT/ROLL)
HW0000101	ISOLATOR
HW0000453	SUPPORT, CIRCUIT BD, 3/16" ICOP
HW0000685	LATCH, MAGNETIC, FRONT PANEL
KIT000178	RETROFIT, SYNC DMOD w/DETECTOR*
KIT000219	AKIT, 4-20MA CURRENT OUTPUT
OP0000009	WINDOW (KB)
OR0000001	ORING, 2-006VT *(KB)
OR0000034	ORING, 2-011V FT10
OR0000039	ORING, 2-012V
OR0000041	ORING, 2-136V
OR0000088	ORING, 2-011S, 40 DURO
OR0000094	ORING, 2-228V, 50 DURO VITON(KB)
PS0000011	PWR SUPPLY, SW, +5V, +/-15V, 40W (KB)
PS0000024	COVER ENCLOSURE KIT,LPX 40/60 (KB)
PS0000025	PWR SUPPLY, SW, 12V, 40W (KB)
PU0000022	REBUILD KIT, FOR PU20 & 04241 (KB)
RL0000015	RELAY, DPDT, (KB)
SW0000025	SWITCH, POWER, CIRC BREAK, VDE/CE *(KB)
SW0000059	PRESSURE SENSOR, 0-15 PSIA, ALL SEN
WR0000008	POWER CORD, 10A(KB)

T300M Recommended Spare Parts Stocking Levels

(Reference 2011-12-01)

Recommended Spare Parts Stocking Level: Standard

Part Number	Description	Units				
		1	2-5	6-10	11-20	21-30
003290500	Wheel Thermistor Bench/Wheel	1	1	1	2	2
009550500	Source Assembly	1	1	2	2	3
009560301	Gas Filter Wheel				1	1
037250100	Bench Band Heater		1	1	2	2
040010000	Assembly, Fan	1	1	2	2	3
040030100	PCA, PRESS SENSORS (1X), w/FM4, E SERIES			1	2	3
042410200 *	Pump, 115V 50/60 Hz				2	2
050320000	PCA, Opto-Interrupter		1	1	2	2
052830100	ASSY, MOTOR HUB, MR7, "A", 115V			1	1	2
055010000	ASSY, MTR WHL HEATER w/THERM, 200W			1	2	2
058021100	PCA, E-SERIES MOTHERBOARD, GEN 5-I				1	2
067240000	CPU, PC-104, VSX-6154E, ICOP *(KB)			1	1	1
KIT000159	REPLACEMENT, RELAY BD, M300E		1	1	2	2
KIT000179	RETROFIT, SYNC DMOD UPDATE, M300EM			1	2	2
KIT000253	KIT, SPARE PS37		1	1	1	2
KIT000254	KIT, SPARE PS38		1	1	1	2
RL0000015	Relay	1	1	2	2	2
067900000	LCD MODULE, W/TOUCHSCREEN(KB)				1	2
066970000	PCA, INTRF. LCD TOUCH SCRIN, F/P				1	2
068810000	PCA, LVDS TRANSMITTER BOARD				1	2
072150000	TOUCHSCREEN CONTROL MODULE			1	2	3

* For 240V Operation, use 055100200

Part Number	Description	Units				
		1	2-5	6-10	11-20	21-30
055100200	OPTION, PUMP ASSY, 240V			1	2	2

Recommended Spare Parts Stocking Level: For O₂ Option Installed

Part Number	Description	Units				
		1	2-5	6-10	11-20	21-30
OP0000030	OXYGEN TRANSDUCER, PARAMAGNETIC				1	1

Recommended Spare Parts Stocking Level: For IZS/ZS Option Installed

Part Number	Description	Units				
		1	2-5	6-10	11-20	21-30
042690000	Valve Assy, 2-Way, On/Off			1	1	2
042680000	Valve Assy, 3-Way			1	1	2

APPENDIX C
Warranty/Repair Questionnaire
T300/T300M and M300E/EM
(04305G DCN5798)



CUSTOMER: _____ PHONE: _____

CONTACT NAME: _____ FAX NO: _____

SITE ADDRESS: _____

SERIAL NO.: _____ FIRMWARE REVISION: _____

1. Are there any failure messages? _____

Please complete the following table:

PARAMETER	DISPLAYED AS	OBSERVED VALUE	UNITS	NOMINAL RANGE
Range	Range		PPM, MGM ^{1,2} PPB, UGM ¹	1 – 1000 PPM ¹ 5 – 5000 PPM ²
Stability	STABIL		PPM	<1.0 PPM with Zero Air
CO Measure	CO MEAS		mV	2500 – 4800 MV
CO Reference	CO REF		mV	2500 – 4800MV
Measure/Reference Ratio	MR RATIO		–	1.1 – 1.3 W/ Zero Air
Pressure	PRES		In-Hg-A	-2”Ambient Absolute
Sample Flow	SAMP FL		cm ³ /min	800 ± 10%
Sample Temp	SAMPLE TEMP		°C	48 ± 4
Bench Temp	BENCH TEMP		°C	48 ± 2
Wheel Temp	WHEEL TEMP		°C	68 ± 2
Box Temp	BOX TEMP		°C	Ambient + 7 ± 10
Photo Drive	PHT DRIVE		mV	250 mV – 4750 mV
Slope of CO Measurement	CO SLOPE		–	1.0 ± .3
Offset of CO Measurement	CO OFFSET		PPM	0 ± 0.3
Dark Cal Reference signal	REF DARK OFFSET		mV	125 ± 50 mV
Dark Cal Measurement Signal	MEAS DARK OFFSET		mV	125 ± 50 mV
Electric Test			PPM	40 ± 2 PPM

¹ T300, M300E ² T300M, M300EM

TELEDYNE API CUSTOMER SERVICE
Email: api-customerservice@teledyne.com
PHONE: (858) 657-9800 TOLL FREE: (800) 324-5190 FAX: (858) 657-9816

APPENDIX C
Warranty/Repair Questionnaire
T300/T300M and M300E/EM
 (04305G DCN5798)

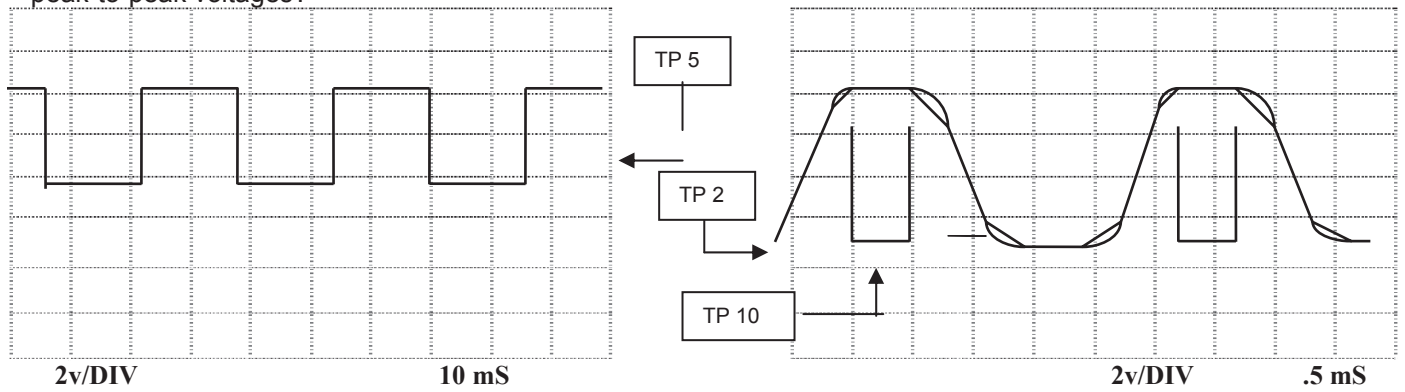


2. Have you performed a leak check and flow check? _____

3. What are the failure symptoms? _____

4. What test have you done trying to solve the problem? _____

5. Please check these signals and verify the correctness. Look for the signals annotated on the diagram. What are the peak-to-peak voltages?



5. If possible, please include a portion of a strip chart pertaining to the problem. Circle pertinent data.

Thank you for providing this information. Your assistance enables Teledyne API to respond faster to the problem that you are encountering.

OTHER INFORMATION: _____

APPENDIX D – Wire List and Electronic Schematics

This page intentionally left blank.

Interconnect List, T300/M T360/M
(Reference: 0691201B, DCN5947)

Revision	Description					Date	DCN		
A	Initial Release					9/3/10	5833		
B	Added T360 & T360M					12/30/10	5947		
Cable PN	Signal	Assembly	FROM			TO			
			PN	J/P	Pin	Assembly	PN	J/P	Pin
03995	CBL, MOTOR TO RELAY PCA								
	GFC Drive - A	Relay PCA	041350000	J6	1	GFC Motor	052380200	P1	1
	GFC Drive - B	Relay PCA	041350000	J6	2	GFC Motor	052380200	P1	2
	Motor Return	Relay PCA	041350000	J6	3	GFC Motor	052380200	P1	3
	Chassis Gnd	Relay PCA	041350000	J6	4	GFC Motor	052380200	P1	4
04103	CBL, MOTHERBOARD TO THERMISTORS								
	+5V Ref	Motherboard	058021100	J27	6	Bench Temp Snsr	003291500	P1	1
	Bench Temp	Motherboard	058021100	J27	13	Bench Temp Snsr	003291500	P1	2
	+5V Ref	Motherboard	058021100	J27	5	Wheel Temp Snsr	003291500	P1	1
	Wheel Temp	Motherboard	058021100	J27	12	Wheel Temp Snsr	003291500	P1	2
	+5V ref	Motherboard	058021100	J27	1	Shield			
	+5V Ref	Motherboard	058021100	J27	7	Sample Temp Snsr	019340200, -06	P1	1
	Sample Temp	Motherboard	058021100	J27	14	Sample Temp Snsr	019340200, -06	P1	2
		Motherboard	058021100	J27	2	O2 Sensor Therm/Htr	043420000	P1	3
		Motherboard	058021100	J27	9	O2 Sensor Therm/Htr	043420000	P1	1
		Relay PCA	041350000	J4	1	O2 Sensor Therm/Htr	043420000	P1	4
		Relay PCA	041350000	J4	2	O2 Sensor Therm/Htr	043420000	P1	2
		Relay PCA	041350000	J4	3	Shield			
04105	CBL, LCD INTERFACE PCA TO MOTHERBOARD								
	Kbd Interrupt	LCD Interface PCA	066970000	J1	7	Motherboard	058021100	J106	1
	DGND	LCD Interface PCA	066970000	J1	2	Motherboard	058021100	J106	8
	SDA	LCD Interface PCA	066970000	J1	5	Motherboard	058021100	J106	2
	SCL	LCD Interface PCA	066970000	J1	6	Motherboard	058021100	J106	6
	Shld	LCD Interface PCA	066970000	J1	10	Motherboard	058021100	J106	5
04146	CBL, SYNC DEMOD								
	DGND	Opto Pickup	05032 or 05256	J2	1	Sync Demod	032960000	JP4	6
	Segmentg Gate	Opto Pickup	05032 or 05256	J2	2	Sync Demod	032960000	JP4	5
	No Connection	Opto Pickup	05032 or 05256	J2	3	Sync Demod	032960000	JP4	4
	DGND	Opto Pickup	05032 or 05256	J2	4	Sync Demod	032960000	JP4	3
	M/R Gate	Opto Pickup	05032 or 05256	J2	5	Sync Demod	032960000	JP4	2
	+5V	Opto Pickup	05032 or 05256	J2	6	Sync Demod	032960000	JP4	1
04237	CBL ASSY, 12V VALVE CBLS								
	+12	Relay PCA	041350000	J7	6	Zero/Span Vlv	042680000	P1	1
	Zero/Span Drv	Relay PCA	041350000	J7	8	Zero/Span Vlv	042680000	P1	2
	+12	Relay PCA	041350000	J7	2	Samp/Cal Vlv	042680000	P1	1
	Samp/Cal Drv	Relay PCA	041350000	J7	4	Samp/Cal Vlv	042680000	P1	2
	+12	Relay PCA	041350000	J7	5	Shutoff Valve	042690000	P1	1
	Shutoff Vlv	Relay PCA	041350000	J7	7	Shutoff Valve	042690000	P1	2
04671	CBL, MOTHERBOARD TO XMITTER BD (MULTIDROP OPTION)								
	GND	Motherboard	058021100	P12	2	Xmitter bd w/Multidrop	069500000	J4	2
	RX0	Motherboard	058021100	P12	14	Xmitter bd w/Multidrop	069500000	J4	14
	RTS0	Motherboard	058021100	P12	13	Xmitter bd w/Multidrop	069500000	J4	13
	TX0	Motherboard	058021100	P12	12	Xmitter bd w/Multidrop	069500000	J4	12
	CTS0	Motherboard	058021100	P12	11	Xmitter bd w/Multidrop	069500000	J4	11
	RS-GND0	Motherboard	058021100	P12	10	Xmitter bd w/Multidrop	069500000	J4	10
	RTS1	Motherboard	058021100	P12	8	Xmitter bd w/Multidrop	069500000	J4	8
	CTS1/485-	Motherboard	058021100	P12	6	Xmitter bd w/Multidrop	069500000	J4	6
	RX1	Motherboard	058021100	P12	9	Xmitter bd w/Multidrop	069500000	J4	9
	TX1/485+	Motherboard	058021100	P12	7	Xmitter bd w/Multidrop	069500000	J4	7
	RS-GND1	Motherboard	058021100	P12	5	Xmitter bd w/Multidrop	069500000	J4	5
	RX1	Motherboard	058021100	P12	9	Xmitter bd w/Multidrop	069500000	J4	9
	TX1/485+	Motherboard	058021100	P12	7	Xmitter bd w/Multidrop	069500000	J4	7
	RS-GND1	Motherboard	058021100	P12	5	Xmitter bd w/Multidrop	069500000	J4	5
06737	CBL, I2C TO AUX I/O PCA (ANALOG IN OPTION)								
	ATX-	Motherboard	058021100	J106	1	AUX I/O PCA	067300000	J2	1
	ATX+	Motherboard	058021100	J106	2	AUX I/O PCA	067300000	J2	2
	LED0	Motherboard	058021100	J106	3	AUX I/O PCA	067300000	J2	3
	ARX+	Motherboard	058021100	J106	4	AUX I/O PCA	067300000	J2	4
	ARX-	Motherboard	058021100	J106	5	AUX I/O PCA	067300000	J2	5
	LED0+	Motherboard	058021100	J106	6	AUX I/O PCA	067300000	J2	6
	LED1+	Motherboard	058021100	J106	8	AUX I/O PCA	067300000	J2	8
06738	CBL, CPU COM to AUX I/O (USB OPTION)								
	RXD1	CPU PCA	067240000	COM1	1	AUX I/O PCA	0673000 or -02	J3	1
	DCD1	CPU PCA	067240000	COM1	2	AUX I/O PCA	0673000 or -02	J3	2
	DTR1	CPU PCA	067240000	COM1	3	AUX I/O PCA	0673000 or -02	J3	3
	TXD1	CPU PCA	067240000	COM1	4	AUX I/O PCA	0673000 or -02	J3	4
	DSR1	CPU PCA	067240000	COM1	5	AUX I/O PCA	0673000 or -02	J3	5
	GND	CPU PCA	067240000	COM1	6	AUX I/O PCA	0673000 or -02	J3	6
	CTS1	CPU PCA	067240000	COM1	7	AUX I/O PCA	0673000 or -02	J3	7
	RTS1	CPU PCA	067240000	COM1	8	AUX I/O PCA	0673000 or -02	J3	8
	RI1	CPU PCA	067240000	COM1	10	AUX I/O PCA	0673000 or -02	J3	10

Interconnect List, T300/M T360/M

(Reference: 0691201B, DCN5947)

Cable PN	Signal	Assembly	FROM			TO			
			PN	J/P	Pin	Assembly	PN	J/P	Pin
06738	CBL, CPU COM to AUX I/O (MULTIDROP OPTION)								
	RXD	CPU PCA	067240000	COM1	1	Xmitter bd w/Multidrop	069500000	J3	1
	DCD	CPU PCA	067240000	COM1	2	Xmitter bd w/Multidrop	069500000	J3	2
	DTR	CPU PCA	067240000	COM1	3	Xmitter bd w/Multidrop	069500000	J3	3
	TXD	CPU PCA	067240000	COM1	4	Xmitter bd w/Multidrop	069500000	J3	4
	DSR	CPU PCA	067240000	COM1	5	Xmitter bd w/Multidrop	069500000	J3	5
	GND	CPU PCA	067240000	COM1	6	Xmitter bd w/Multidrop	069500000	J3	6
	CTS	CPU PCA	067240000	COM1	7	Xmitter bd w/Multidrop	069500000	J3	7
	RTS	CPU PCA	067240000	COM1	8	Xmitter bd w/Multidrop	069500000	J3	8
	RI	CPU PCA	067240000	COM1	10	Xmitter bd w/Multidrop	069500000	J3	10
06739	CBL, CPU ETHERNET TO AUX I/O PCA								
	ATX-	CPU PCA	067240000	LAN	1	AUX I/O PCA	067300100	J2	1
	ATX+	CPU PCA	067240000	LAN	2	AUX I/O PCA	067300100	J2	2
	LED0	CPU PCA	067240000	LAN	3	AUX I/O PCA	067300100	J2	3
	ARX+	CPU PCA	067240000	LAN	4	AUX I/O PCA	067300100	J2	4
	ARX-	CPU PCA	067240000	LAN	5	AUX I/O PCA	067300100	J2	5
	LED0+	CPU PCA	067240000	LAN	6	AUX I/O PCA	067300100	J2	6
	LED1	CPU PCA	067240000	LAN	7	AUX I/O PCA	067300100	J2	7
	LED1+	CPU PCA	067240000	LAN	8	AUX I/O PCA	067300100	J2	8
06741	CBL, CPU USB TO LCD INTERFACE PCA								
	GND	CPU PCA	067240000	USB	8	LCD Interface PCA	066970000	JP9	
	LUSB3+	CPU PCA	067240000	USB	6	LCD Interface PCA	066970000	JP9	
	LUSB3-	CPU PCA	067240000	USB	4	LCD Interface PCA	066970000	JP9	
	VCC	CPU PCA	067240000	USB	2	LCD Interface PCA	066970000	JP9	
06746	CBL, MB TO 06154 CPU								
	GND	Motherboard	058021100	P12	2	Shield			
	RX0	Motherboard	058021100	P12	14	CPU PCA	067240000	COM1	1
	RTS0	Motherboard	058021100	P12	13	CPU PCA	067240000	COM1	8
	TX0	Motherboard	058021100	P12	12	CPU PCA	067240000	COM1	4
	CTS0	Motherboard	058021100	P12	11	CPU PCA	067240000	COM1	7
	RS-GND0	Motherboard	058021100	P12	10	CPU PCA	067240000	COM1	6
	RTS1	Motherboard	058021100	P12	8	CPU PCA	067240000	COM2	8
	CTS1/485-	Motherboard	058021100	P12	6	CPU PCA	067240000	COM2	7
	RX1	Motherboard	058021100	P12	9	CPU PCA	067240000	COM2	1
	TX1/485+	Motherboard	058021100	P12	7	CPU PCA	067240000	COM2	4
	RS-GND1	Motherboard	058021100	P12	5	CPU PCA	067240000	COM2	6
	RX1	Motherboard	058021100	P12	9	CPU PCA	067240000	485	1
	TX1/485+	Motherboard	058021100	P12	7	CPU PCA	067240000	485	2
	RS-GND1	Motherboard	058021100	P12	5	CPU PCA	067240000	485	3
06809	CBL ASSY, DC POWER TO MOTHERBOARD								
	DGND	Relay PCA	041350000	J14	1	Motherboard	058021100	J15	1
	+5V	Relay PCA	041350000	J14	2	Motherboard	058021100	J15	2
	AGND	Relay PCA	041350000	J14	3	Motherboard	058021100	J15	3
	+15V	Relay PCA	041350000	J14	4	Motherboard	058021100	J15	4
	AGND	Relay PCA	041350000	J14	5	Motherboard	058021100	J15	5
	-15V	Relay PCA	041350000	J14	6	Motherboard	058021100	J15	6
	+12V RET	Relay PCA	041350000	J14	7	Motherboard	058021100	J15	7
	+12V	Relay PCA	041350000	J14	8	Motherboard	058021100	J15	8
	Chassis Gnd	Relay PCA	041350000	J14	10	Motherboard	058021100	J15	9
06811	CBL ASSY, BENCH HEATER								
	Wheel Heater	Relay PCA	041350000	P3	1	Wheel Heater	055010000	P1	1
	AC Return	Relay PCA	041350000	P3	4	Wheel Heater	055010000	P1	2
	Bench Htr, 115V	Relay PCA	041350000	P3	2	Bench Htr	037250000	P1	1
	Bench Htr, 230V	Relay PCA	041350000	P3	3	Bench Htr	037250000	P1	2
	AC Return	Relay PCA	041350000	P3	4	Bench Htr	037250000	P1	3
	Chassis Gnd	Relay PCA	041350000	P3	5				
06815	CBL ASSY, AC POWER								
	AC Line	Power Entry	CN0000073		L	Power Switch	SW0000025		L
	AC Neutral	Power Entry	CN0000073		N	Power Switch	SW0000025		N
	Power Grnd	Power Entry	CN0000073			Shield			
	Power Grnd	Power Entry	CN0000073			Chassis			
	AC Line Switched	Power Switch	SW0000025		L	PS2 (+12)	068020000	SK2	1
	AC Neu Switched	Power Switch	SW0000025		N	PS2 (+12)	068020000	SK2	3
	Power Grnd	Power Entry	CN0000073			PS2 (+12)	068020000	SK2	2
	AC Line Switched	Power Switch	SW0000025		L	PS1 (+5, ±15)	068010000	SK2	1
	AC Neu Switched	Power Switch	SW0000025		N	PS1 (+5, ±15)	068010000	SK2	3
	Power Grnd	Power Entry	CN0000073			PS1 (+5, ±15)	068010000	SK2	2
	AC Line Switched	Power Switch	SW0000025		L	Relay	041350000	J1	1
	AC Neu Switched	Power Switch	SW0000025		N	Relay	041350000	J1	3
	Power Grnd	Power Entry	CN0000073			Relay	041350000	J1	2

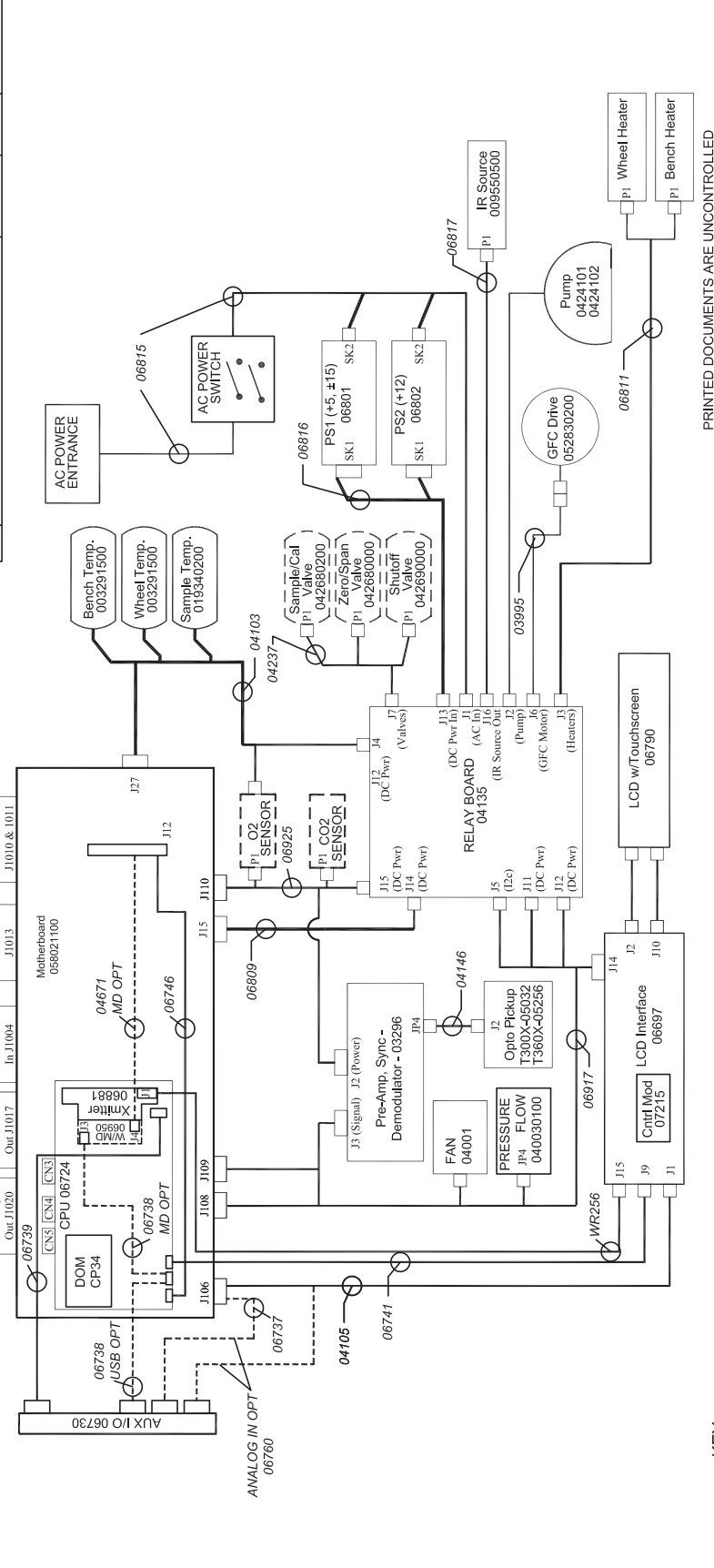
Interconnect List, T300/M T360/M

(Reference: 0691201B, DCN5947)

Cable PN	Signal	Assembly	FROM			TO			
			PN	J/P	Pin	Assembly	PN	J/P	Pin
06816	CBL ASSY, DC POWER								
	+15	PS1	068010000	SK1	6	Relay PCA	041350000	J13	4
	+5	PS1	068010000	SK1	1	Relay PCA	041350000	J13	3
	DGND	PS1	068010000	SK1	3	Relay PCA	041350000	J13	1
	AGND	PS1	068010000	SK1	4	Relay PCA	041350000	J13	5
	-15	PS1	068010000	SK1	5	Relay PCA	041350000	J13	6
	+12	PS2	068020000	SK1	1	Relay PCA	041350000	J13	8
	+12 RET	PS2	068020000	SK1	3	Relay PCA	041350000	J13	7
06817	CBL, RELAY BD TO SOURCE								
	IR Source Drv	Relay PCA	041350000	J16	1	IR Source	009550500	P1	1
	IR Source Drv	Relay PCA	041350000	J16	2	IR Source	009550500	P1	2
06917	CBL, DC POWER & SIGNAL DISTRIBUTION								
	+5V	LCD Interface PCA	066970000	J14	1	Relay PCA	041350000	J12	2
	DGND	LCD Interface PCA	066970000	J14	2	Relay PCA	041350000	J11	1
	+5V	LCD Interface PCA	066970000	J14	3	Relay PCA	041350000	J11	2
	SDA	LCD Interface PCA	066970000	J14	5	Relay PCA	041350000	J5	2
	SCL	LCD Interface PCA	066970000	J14	6	Relay PCA	041350000	J5	1
	DGND	LCD Interface PCA	066970000	J14	8	Relay PCA	041350000	J12	1
	Shield	LCD Interface PCA	066970000	J14	10	Relay PCA	041350000	J5	5
	+12V Ret	Fan	040010000	P1	1	Relay PCA	041350000	J11	7
	+12V	Fan	040010000	P1	2	Relay PCA	041350000	J11	8
	AGND	Flow Module	040030100	J1	3	Relay PCA	041350000	J11	3
	+15V	Flow Module	040030100	J1	6	Relay PCA	041350000	J11	4
	Cell Pressure	Flow Module	040030100	J1	4	Motherboard	058021100	J109	5
	Pump Vaccum	Flow Module	040030100	J1	2	Motherboard	058021100	J109	6
	Sample Flow	Flow Module	040030100	J1	5	Motherboard	058021100	J109	2
		Shield				Motherboard	058021100	J109	9
	Measure	Sync Demod	032960000	J3	1	Motherboard	058021100	J109	4
	PD Temp	Sync Demod	032960000	J3	2	Motherboard	058021100	J109	1
	Reference	Sync Demod	032960000	J3	5	Motherboard	058021100	J109	3
	AGND	Sync Demod	032960000	J3	6	Shield			
	Dark Switch	Sync Demod	032960000	J3	4	Motherboard	058021100	J108	16
	Sync Error	Sync Demod	032960000	J3	7	Motherboard	058021100	J108	4
	Etest	Sync Demod	032960000	J3	8	Motherboard	058021100	J108	8
06925	CBL ASSY, SYNC DEMOD , DC POWER								
	DGND	Relay PCA	041350000	J15	1	Sync Demod	032960000	J2	1
	+5V	Relay PCA	041350000	J15	2	Sync Demod	032960000	J2	2
	AGND	Relay PCA	041350000	J15	3	Sync Demod	032960000	J2	3
	+15V	Relay PCA	041350000	J15	4	Sync Demod	032960000	J2	4
	AGND	Relay PCA	041350000	J15	5	Sync Demod	032960000	J2	5
	-15V	Relay PCA	041350000	J15	6	Sync Demod	032960000	J2	6
	DGND	Relay PCA	041350000	J15	1	O2 Sensor	049210000	P1	5
	+5V	Relay PCA	041350000	J15	2	O2 Sensor	049210000	P1	6
	+12V ret	Relay PCA	041350000	J15	7	CO2 Sensor			GND
	+12V	Relay PCA	041350000	J15	8	CO2 Sensor			+L
	O2-	O2 Sensor		P1	9	Motherboard	058021100	P110	10
	O2+	O2 Sensor		P1	10	Motherboard	058021100	P110	4
		Shield				Motherboard	058021100	P110	7
	CO2-	CO2 Sensor			0	Motherboard	058021100	P110	8
	CO2+	CO2 Sensor			V	Motherboard	058021100	P110	2
06746	CBL, MOTHERBOARD TO CPU								
	RXD(0)	CPU PCA	067240000	COM1	1	Motherboard	058021100	J12	14
	RTS(0)	CPU PCA	067240000	COM1	8	Motherboard	058021100	J12	13
	TXD(0)	CPU PCA	067240000	COM1	4	Motherboard	058021100	J12	12
	CTS(0)	CPU PCA	067240000	COM1	7	Motherboard	058021100	J12	11
	GND(0)	CPU PCA	067240000	COM1	6	Motherboard	058021100	J12	10
	RXD(1)	CPU PCA	067240000	COM2	1	Motherboard	058021100	J12	9
	RTS(1)	CPU PCA	067240000	COM2	8	Motherboard	058021100	J12	8
	TXD(1)	CPU PCA	067240000	COM2	4	Motherboard	058021100	J12	7
	CTS(1)	CPU PCA	067240000	COM2	7	Motherboard	058021100	J12	6
	GND(1)	CPU PCA	067240000	COM2	6	Motherboard	058021100	J12	5
	485+	CPU PCA	067240000	CN5	1	Motherboard	058021100	J12	9
	485-	CPU PCA	067240000	CN5	2	Motherboard	058021100	J12	7
	GND	CPU PCA	067240000	CN5	3	Motherboard	058021100	J12	5
	Shield					Motherboard	058021100	J12	2
WR256	CBL, TRANSMITTER TO LCD INTERFACE PCA								
		LCD Interface PCA	066970000	J15		Transmitter PCA	068810000	J1	

This page intentionally left blank.

REVISIONS			
REV	DESCRIPTION	DATE	DCN APPROVED
A	INITIAL RELEASE	9/3/10	5833 KV
B	ADDED 360 FAMILY	12/30/10	5947 KV



UNLESS OTHERWISE SPECIFIED DIMENSIONS ARE IN INCHES TOLERANCES ARE AS FOLLOWS: ANGULAR ± 1/32 FRACTIONS ± 0.010 (25) DO NOT SCALE DRAWING TREATMENT NA FINISH SIMILAR TO THIRD ANGLE PROJECTION

CONTRACT: NA

APPROVALS: KY

DRAWN: KY

CHECK: CCB

ISSUED:

DATE: 4/10

TITLE: INTERCONNECT DRAWING T300/M & T360/M

SIZE: B 1JZF4

CAGE CODE NO./DWG. NO.: 06912

REV: B

SCALE: 1 OF 1

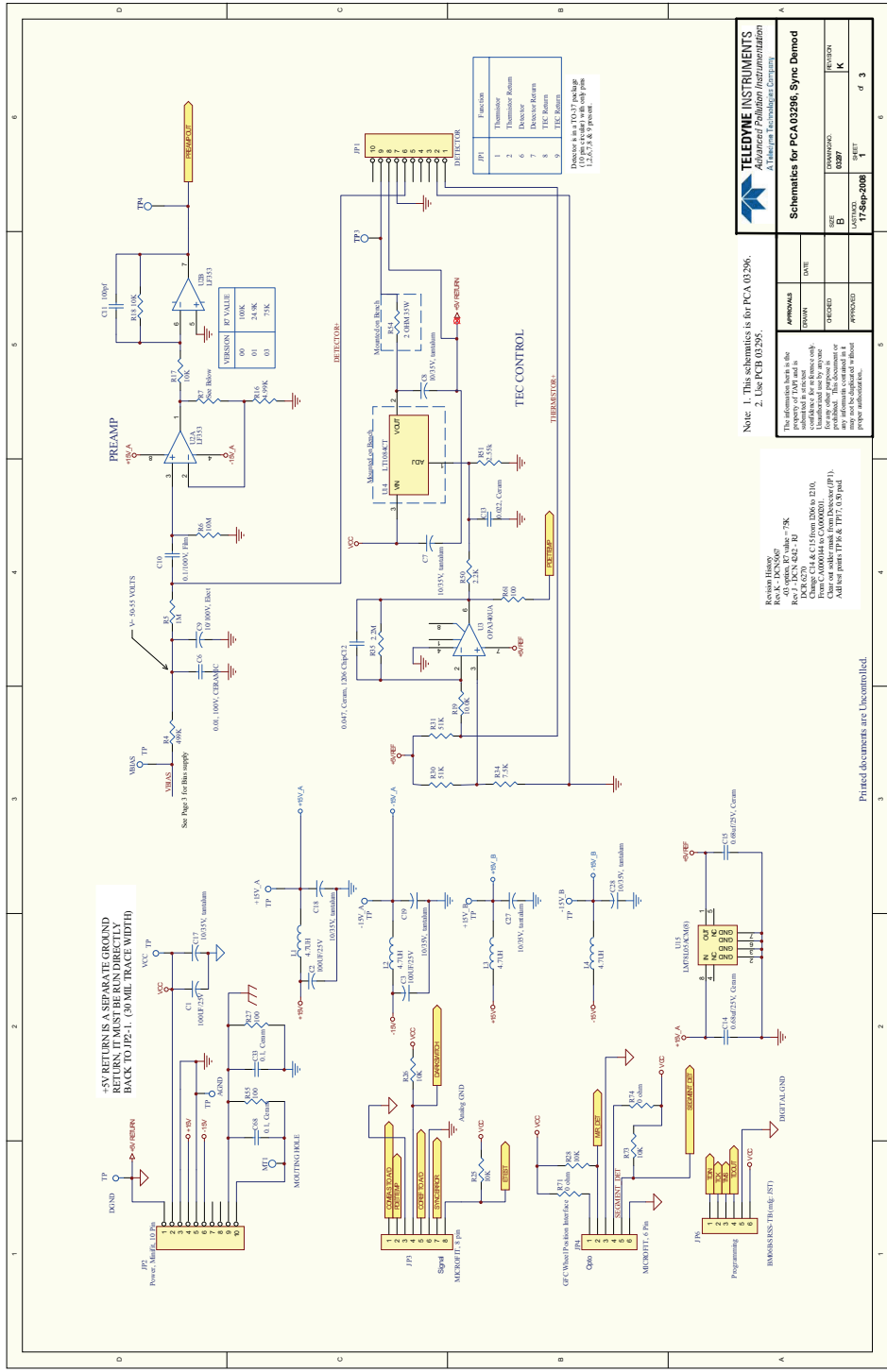
FILE: 06912

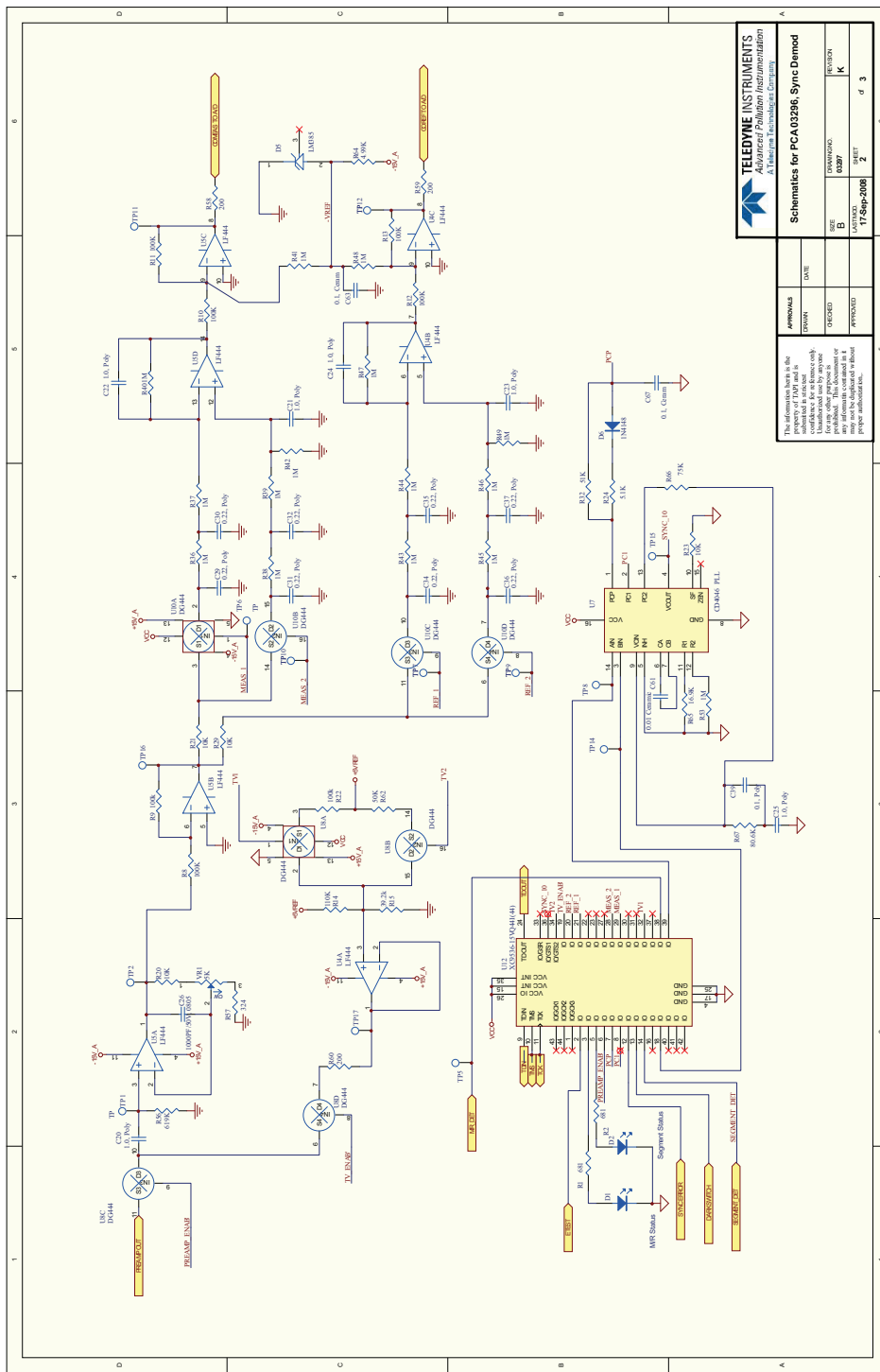
SHEET: 1 OF 1

PRINTED DOCUMENTS ARE UNCONTROLLED

TELEDYNE
A Teledyne Technologies Company

- KEY:
- All part numbers in *italic* identify cables that are referred to in the accompanying document 069120100.
 - All items in Dashed boxes are optional.



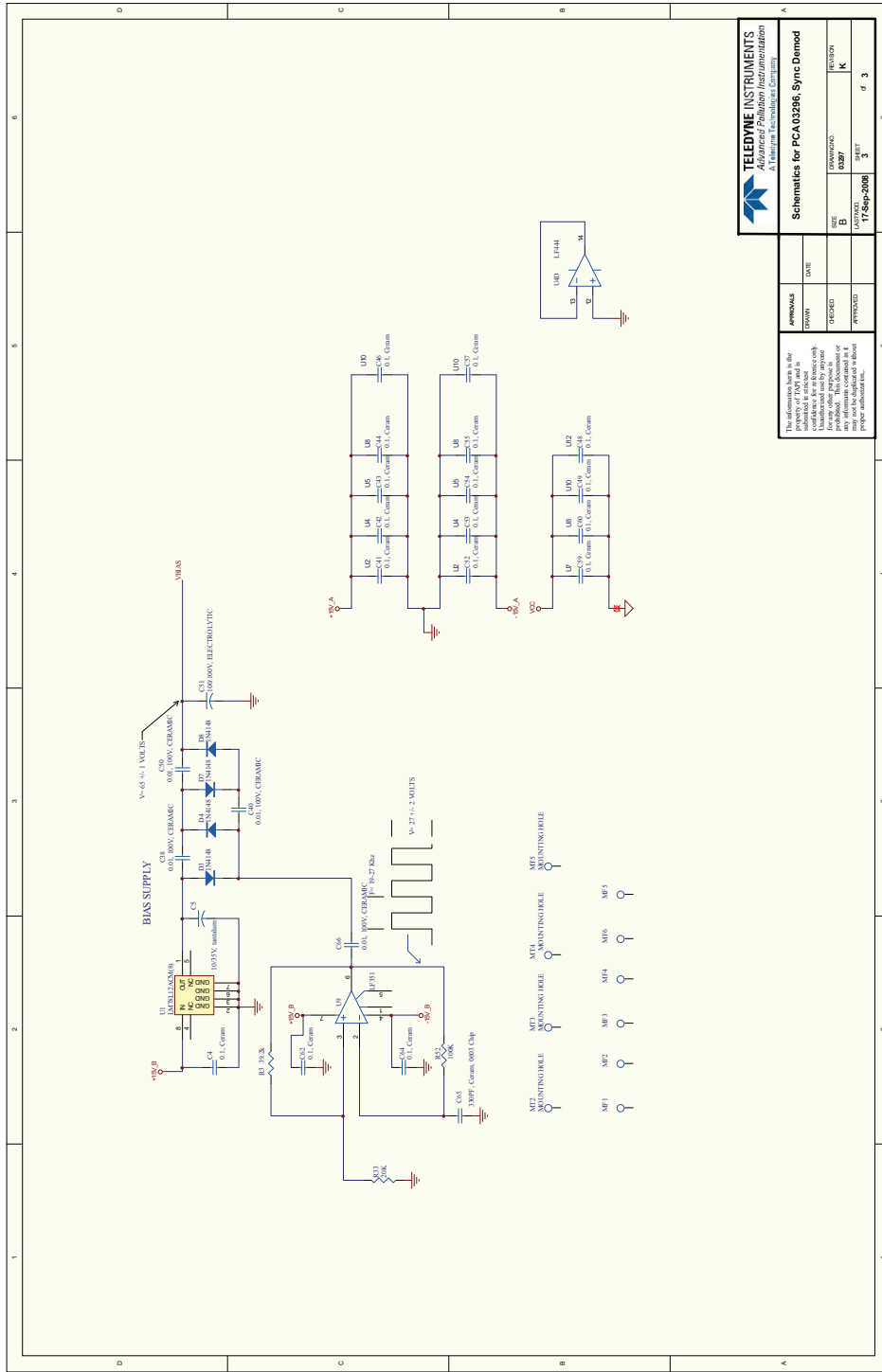


TELEDYNE INSTRUMENTS
Advanced Pulsed Instrumentation
A Teledyne Technologies Company

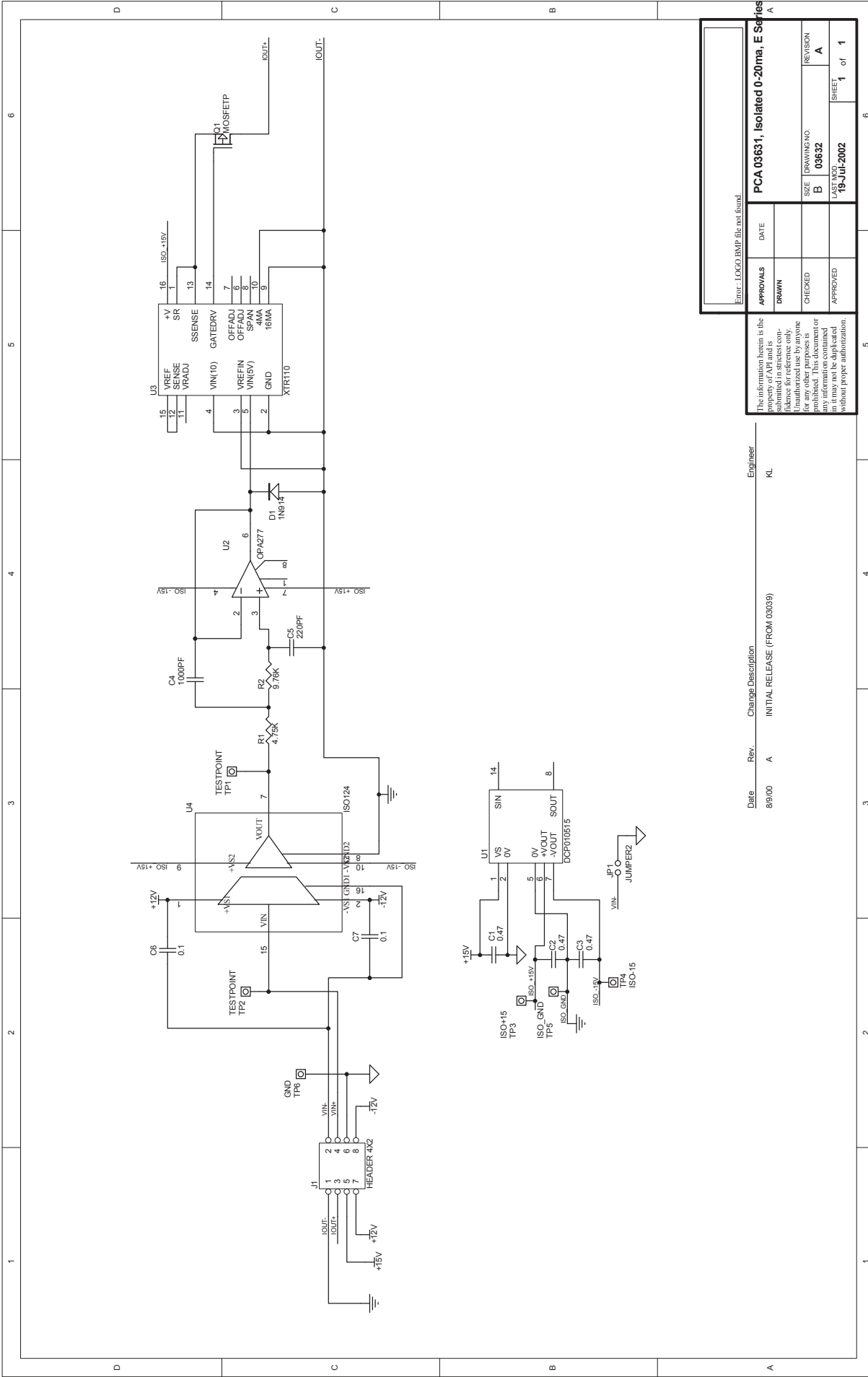
Schematics for PCA03296-Sync Demod

This information herein is the property of Teledyne Instruments and is intended for use by the customer only. It is not to be distributed, copied, or reproduced in any form without the prior written consent of Teledyne Instruments. This document or its contents may be disclosed to third parties without the prior written consent of Teledyne Instruments.

APPROVALS	DATE
DESIGNED	
CHECKED	
APPROVED	
SIZE	100MM
VERSION	1
DATE	11/17/00
PROJECT	17-Sep-2000
REV	2
OF	3



 Advanced Pulsed Instrumentation <small>A Teledyne Technologies Company</small>	
Schematics for PCA03296 Sync Demod	
APPROVALS CHECKED DESIGNED APPROVED	NAME TITLE DEPARTMENT PROJECT NO. DATE DRAWN BY CHECKED BY APPROVED BY
The information herein is the property of Teledyne Instruments and is intended for use only in the design and construction of the equipment specified herein. This document or its contents may not be disclosed to third parties without the prior written consent of Teledyne Instruments.	SIZE SHEETS PART NO. REV. NO. DATE DRAWN BY CHECKED BY APPROVED BY

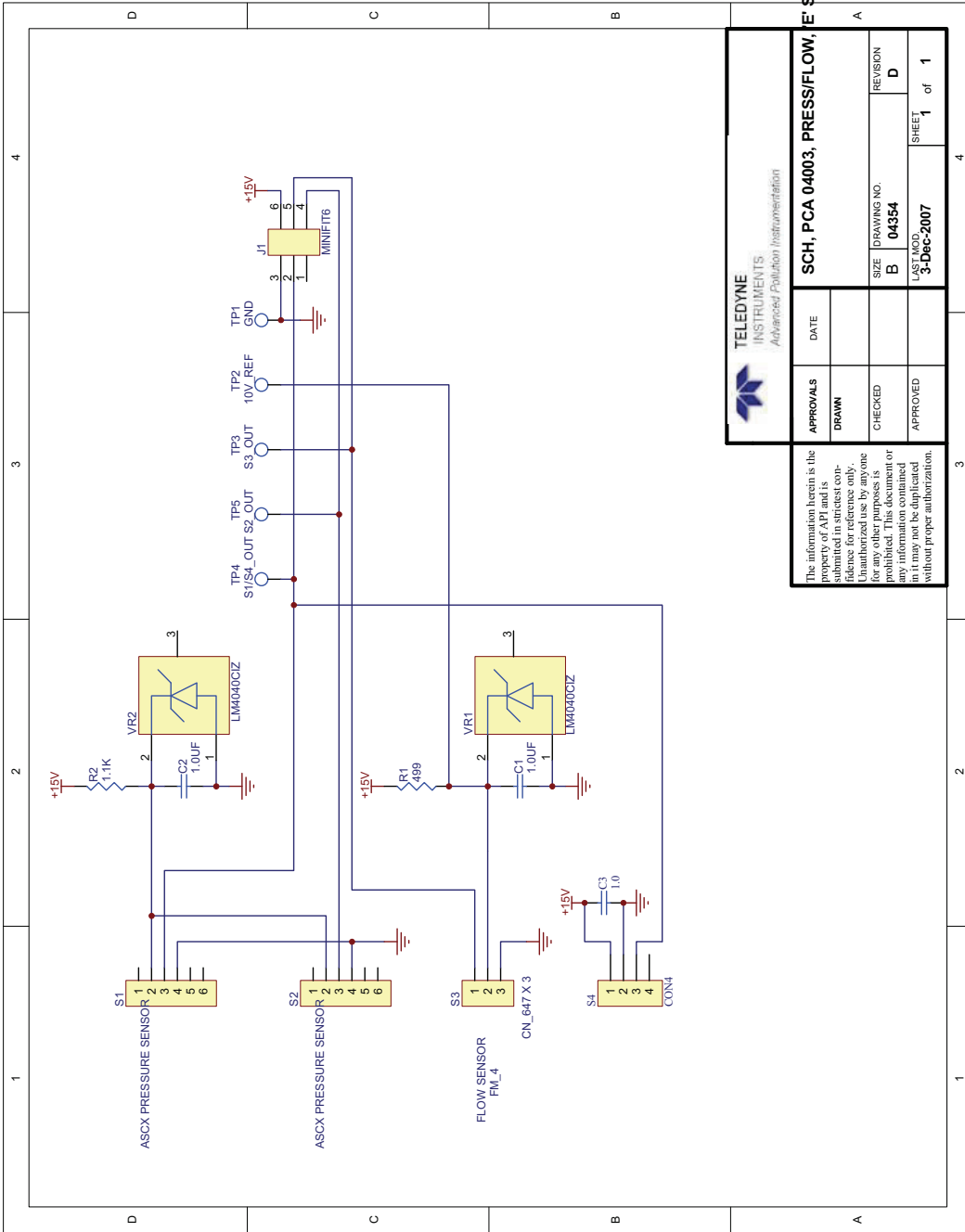


The information herein is the property of API and is submitted in strict confidence for reference only. It is not to be used for any other purpose, is prohibited. This document or any information contained in it may not be duplicated without proper authorization.

APPROVALS		DATE
DRAWN		
CHECKED		
APPROVED		
SIZE	DRAWING NO.	REVISION
B	03632	A
LOG NO.	19-JUL-2002	SHEET
		1 of 1

Date	8/9/00	Rev.	A	Change Description	INITIAL RELEASE (FROM 03039)	Engineer	KL
------	--------	------	---	--------------------	------------------------------	----------	----

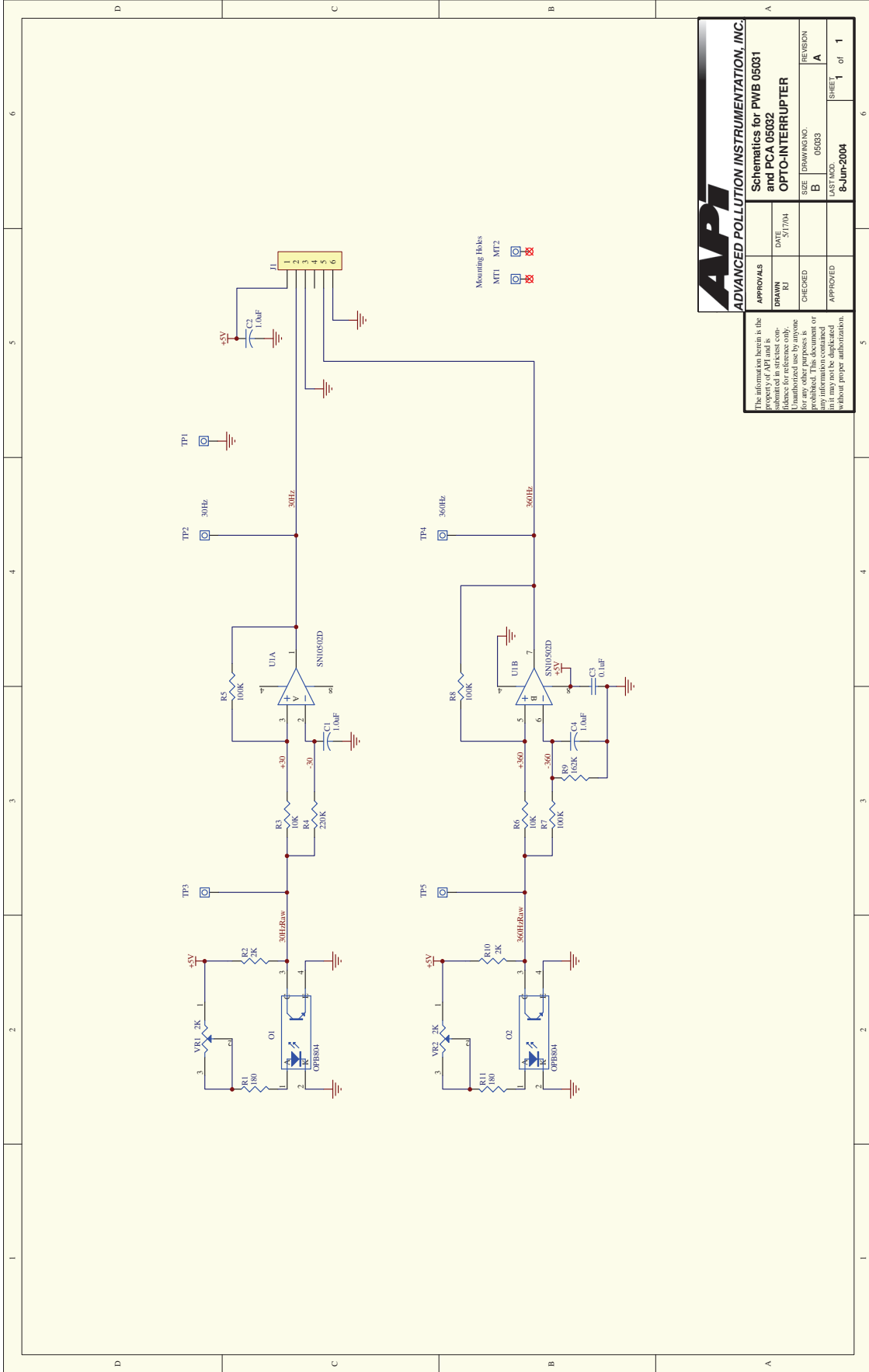
PCA 03631, Isolated 0-20ma, E Series	
--------------------------------------	--



SCH, PCA 04003, PRESS/FLOW, E' SERIES

APPROVALS	DATE	SIZE	DRAWING NO.	REVISION
DRAWN		B	04354	D
CHECKED				
APPROVED		LAST MOD.	3-Dec-2007	SHEET 1 of 1

The information herein is the property of API and is submitted in strict confidence for reference only. Unauthorized use by anyone for any other purposes is prohibited. The accuracy of any information contained in it may not be duplicated without proper authorization.

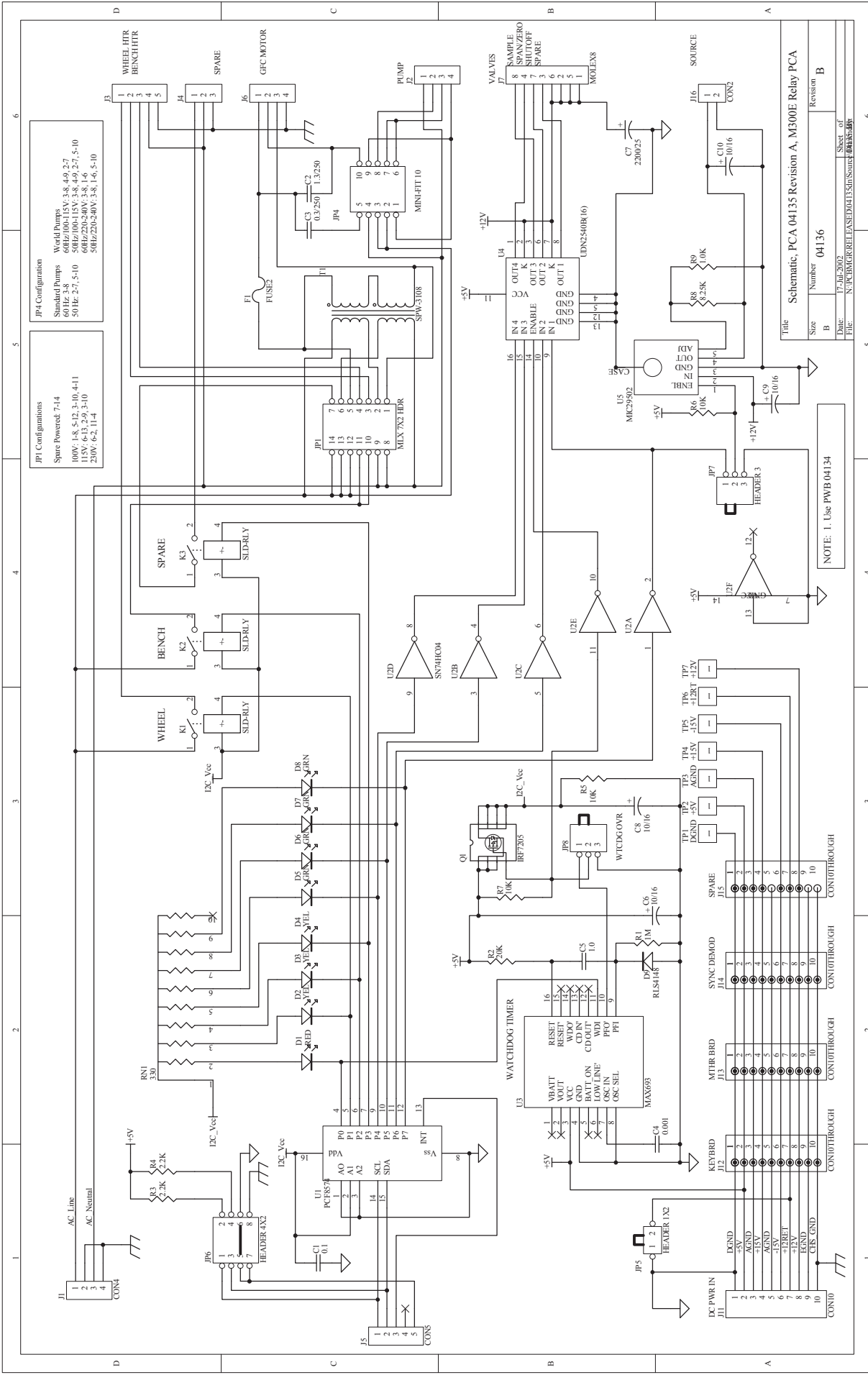


API
ADVANCED POLLUTION INSTRUMENTATION, INC.

Schematics for PWB 05031
 and PCA 05032
OPTO-INTERRUPTER

DATE	3/1/04	REVISION	
DRAWN	RC	SIZE	B
CHECKED		DRAWING NO.	05033
APPROVED		LAST MOD.	8-Jun-2004
SHEET			1 of 1

The information herein is the property of API and is submitted in strictest confidence. It is not to be used for any other purposes without the express written permission of API. This document or its contents may not be duplicated in any form without proper authorization.



JP1 Configuration

World Pumps	60Hz/100-115V/3.8, 4.9, 2.7
Standard Pumps	50Hz/100-115V/3.8, 4.9, 2.7, 5-10
50 Hz: 2.7, 5-10	60Hz/220-240V/3.8, 4.9, 2.7, 5-10
230V: 6.2, 11.4	

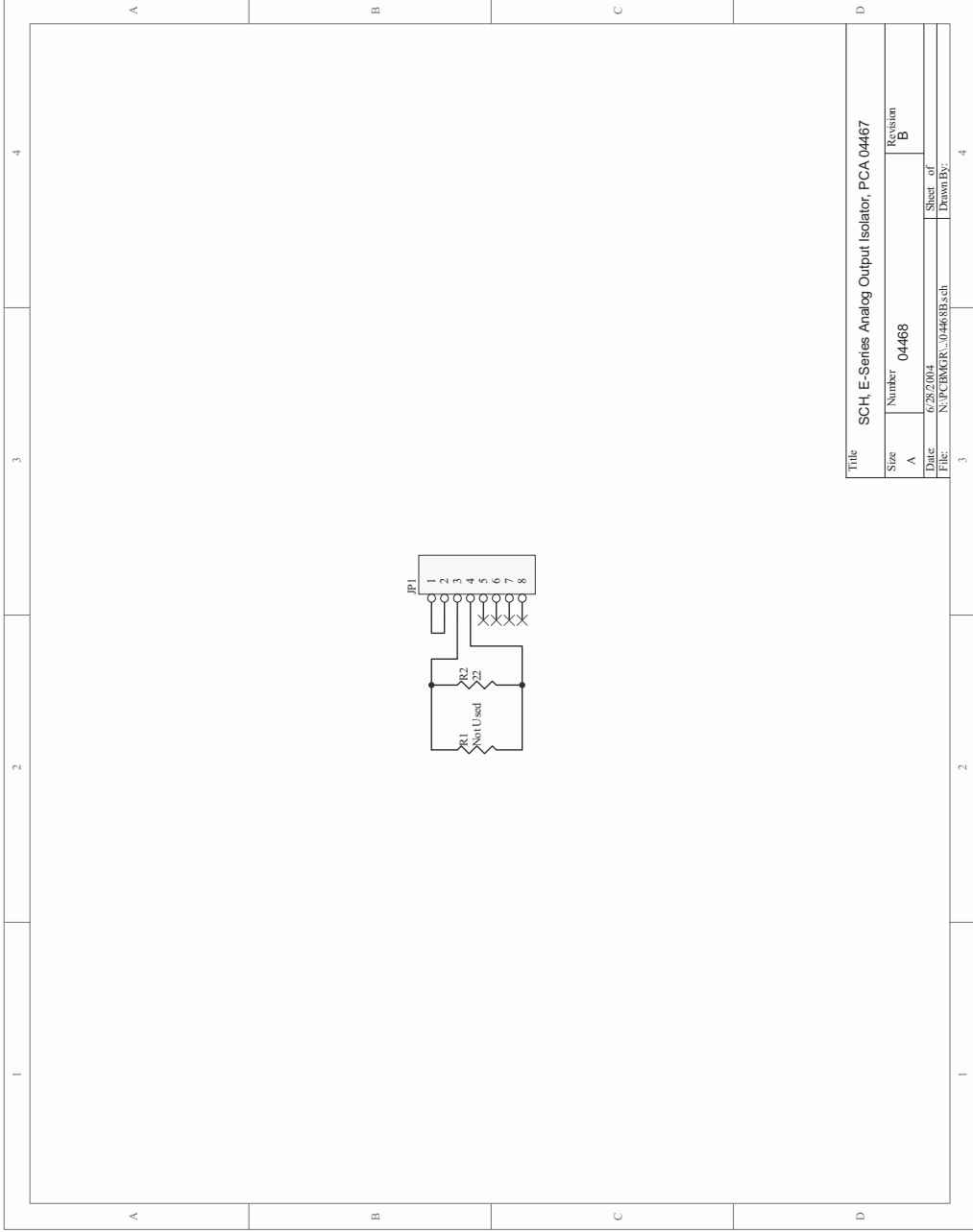
JP4 Configuration

Spare Powered: 7,14
100V: 1,8, 5,12, 3-10, 4-11
115V: 1,2,9, 3-10
230V: 6,2, 11,4

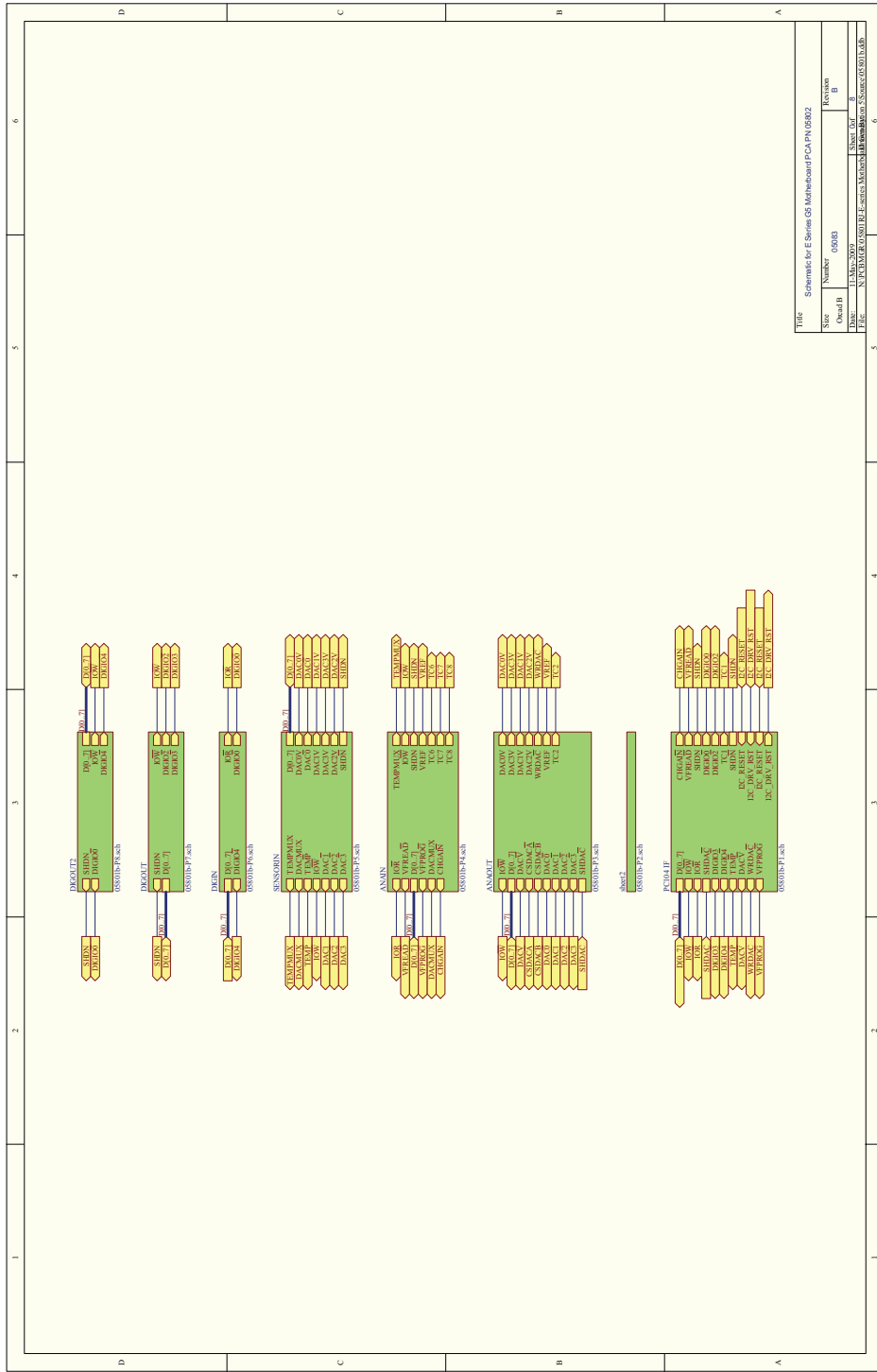
Revision B

Title	Schematic, PCA 04135 Revision A, M300E Relay PCA
Size	Number 04136
Date	7-Jul-2002
File	N:\PCB\MGR\RELEASED\04135\Source\04135.PCB

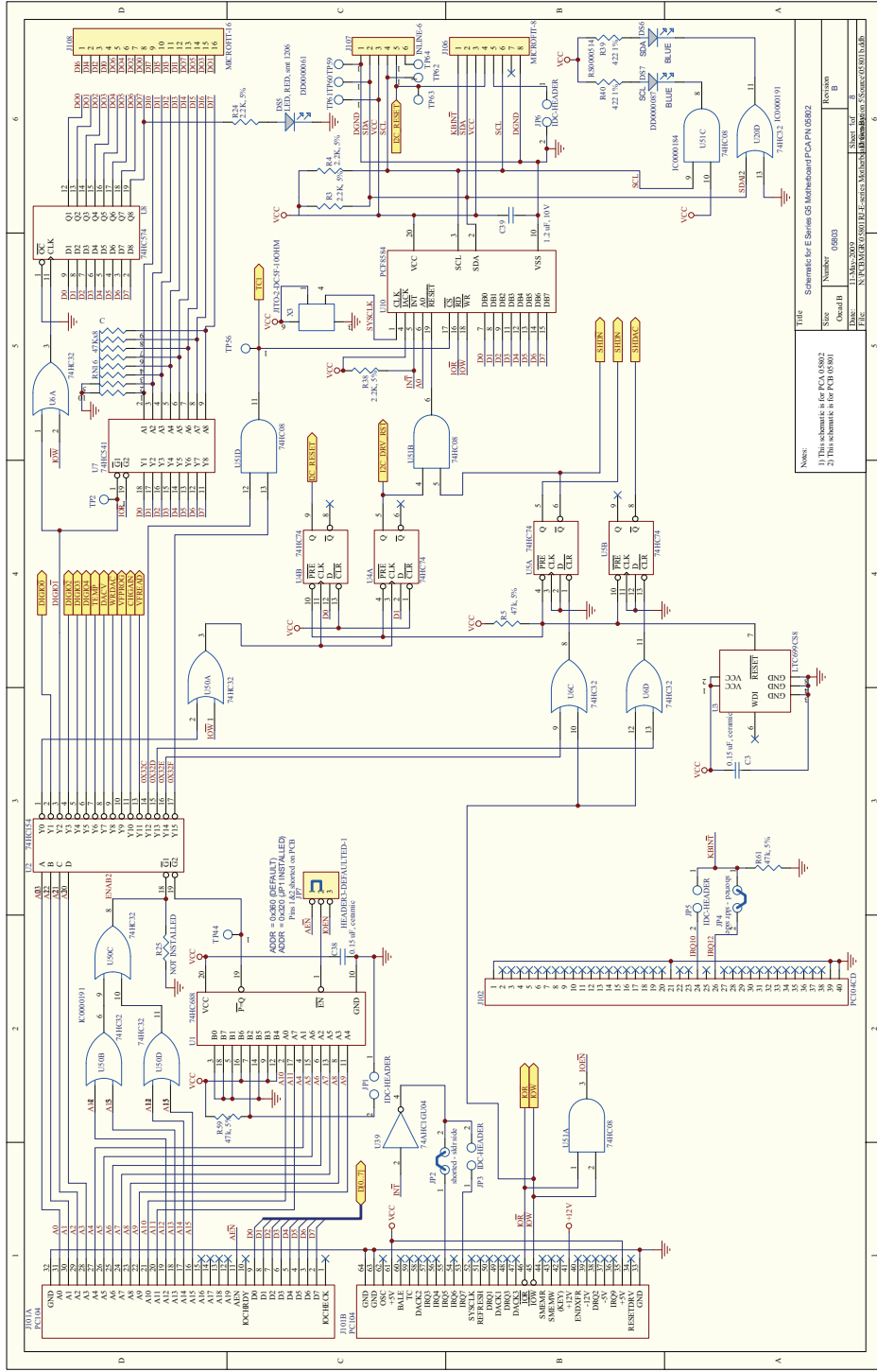
NOTE: 1. Use PWB 04134



Title		SCH E-Series Analog Output Isolator, PCA 04467	
Size	Number	Revision	
A	04468	B	
Date:	6/28/2004	Sheet of	
File:	N:\PCB\MGR\04468.sch	Drawn By:	



Title		Schematics for E Series OS Modules and PCIO4FE	
Size	Number	Revision	
Sheet 15	05933	B	
Date	13 Mar 2007	Sheet	15 of 18
File: N:\EPCIO4FE\OS\REF-STATUS\AMG\OS\REF-STATUS\OS5933.LIB			

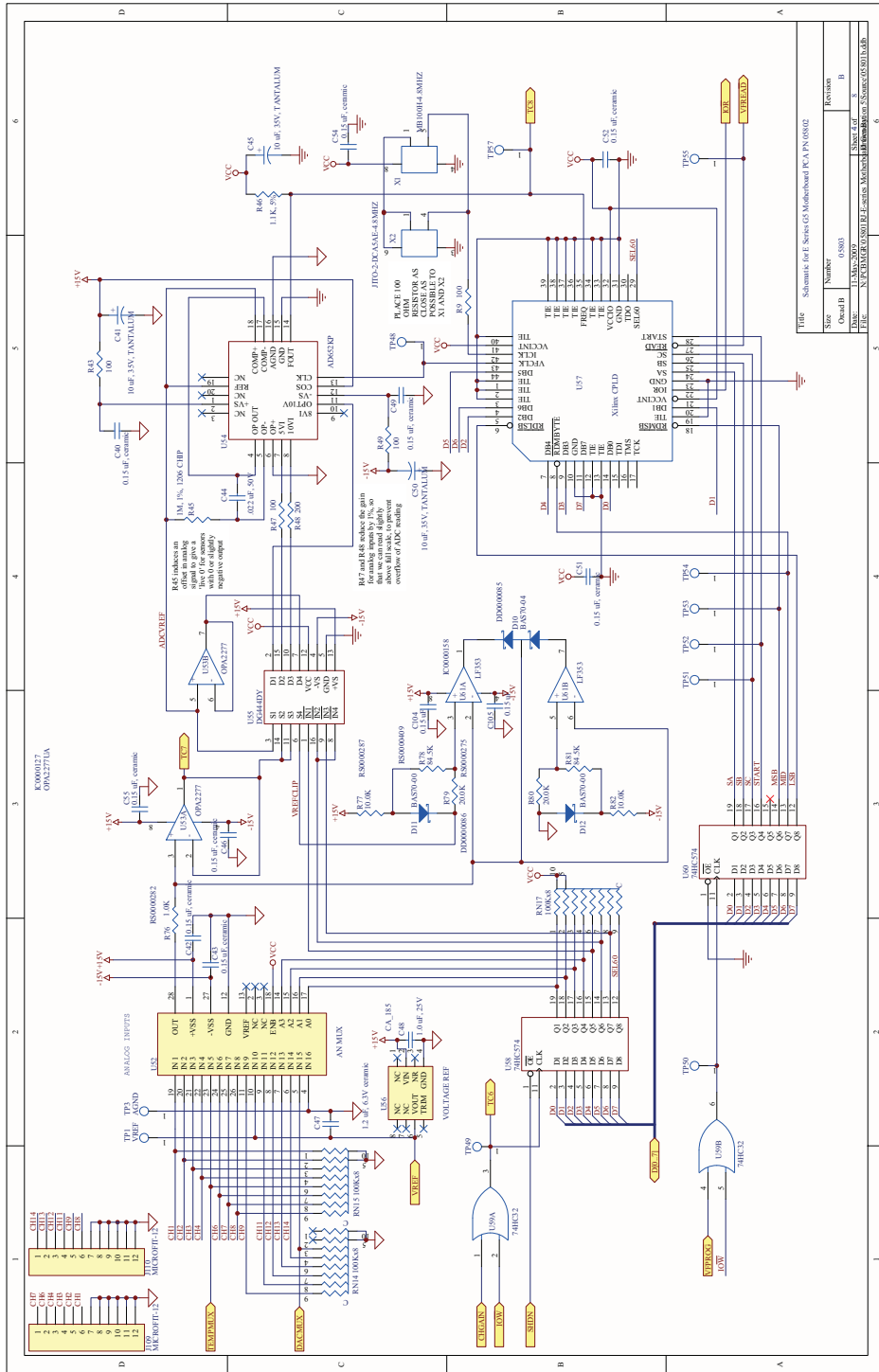


Notes:

- 1) This schematic is for PCA 05802
- 2) This schematic is for PCA 05801

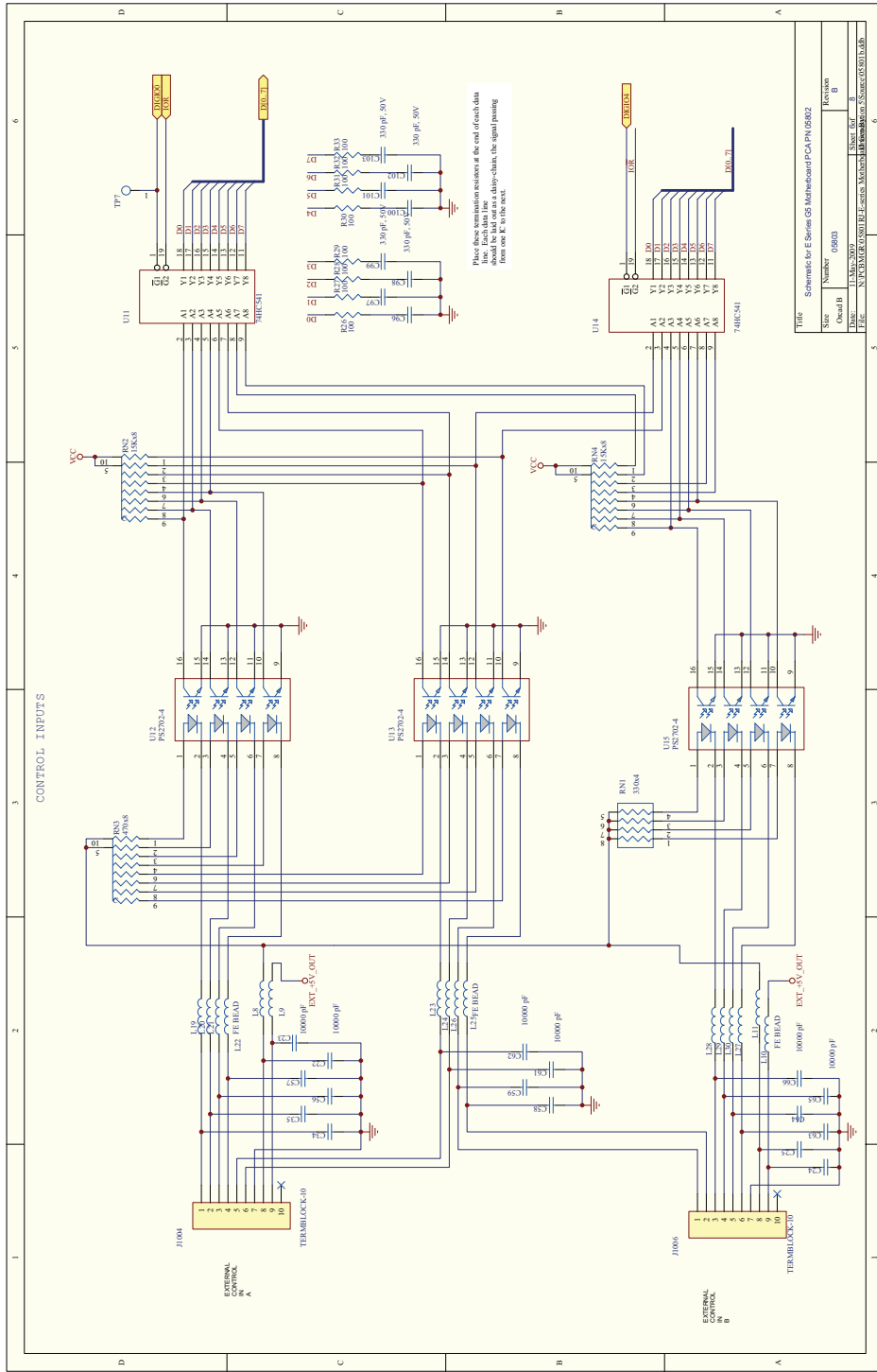
Title	Statement for E Series CE Modulation of PCA 05802
Size	05803
Created By	13.May.2009
File	N:\PCB\PCB\05801\RELEASES\AM\05801\PCB\05802\05802.LAY

Revision	By	Date
1		
2		
3		
4		
5		
6		

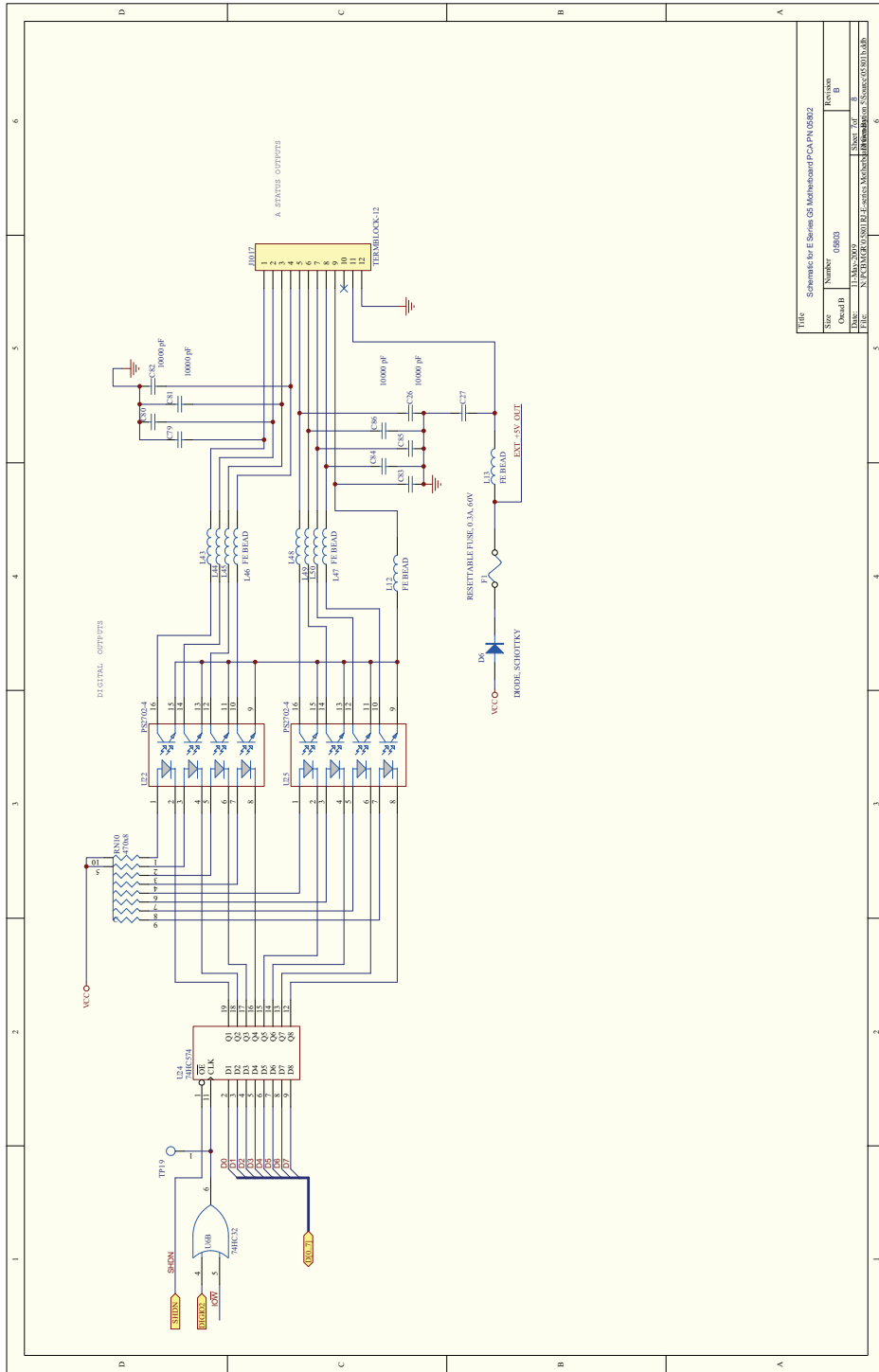


Size	Number	Revision
Sheet 15	068020	B
Date	13.May.2005	Sheet 1 of 3
File	N:\PCB\68050\REF-GENUS\AM68050\14B\68050_050114B.D	

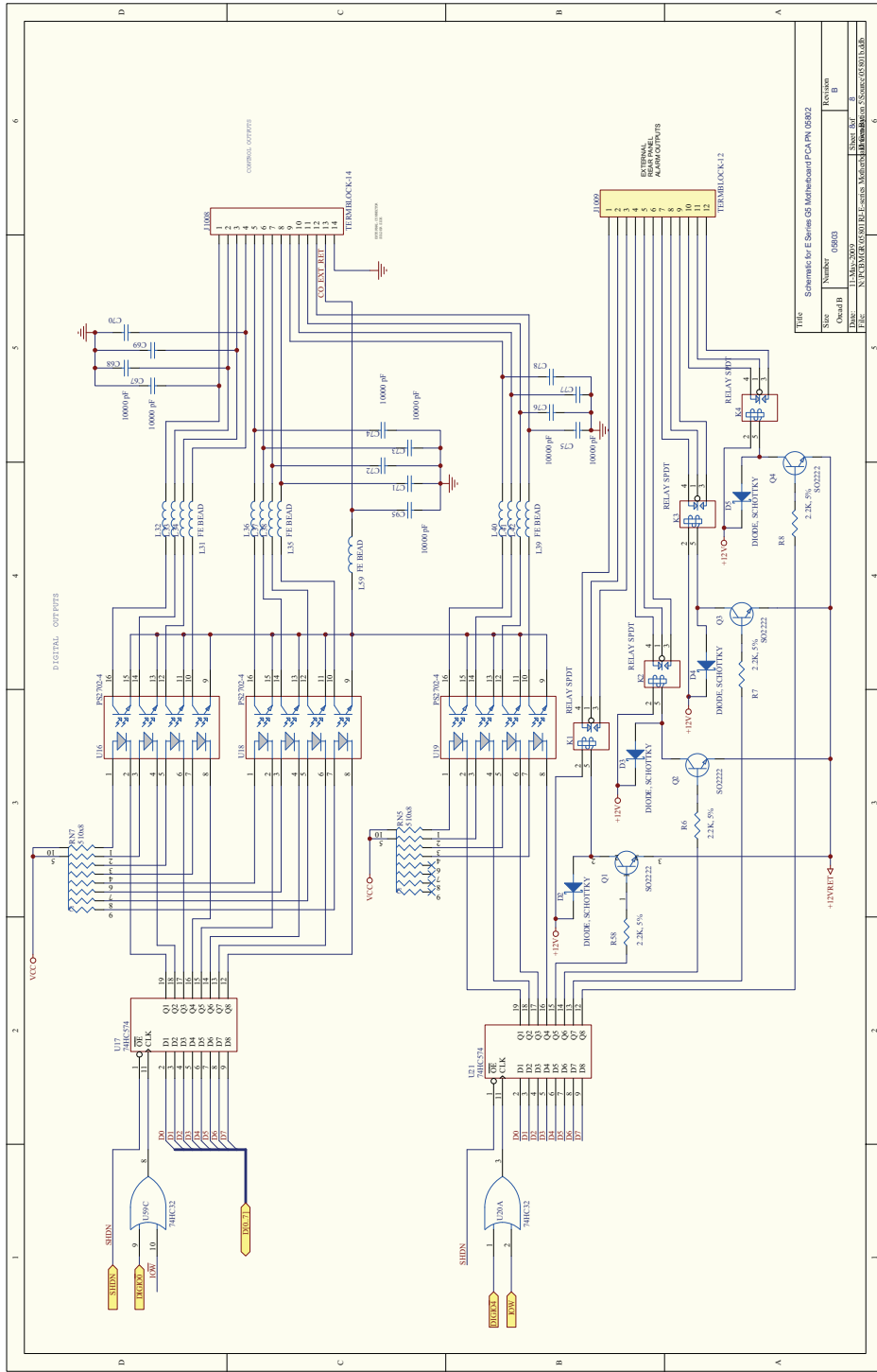
File	Submittal REF Series	OS Motherboard PCB	PN	05802
TP50	74HC574			
TP51	74HC574			
TP52	74HC574			
TP53	74HC574			
TP54	74HC574			
TP55	74HC574			
TP56	74HC574			
TP57	74HC574			
TP58	74HC574			
TP59	74HC574			
TP60	74HC574			
TP61	74HC574			
TP62	74HC574			
TP63	74HC574			
TP64	74HC574			
TP65	74HC574			
TP66	74HC574			
TP67	74HC574			
TP68	74HC574			
TP69	74HC574			
TP70	74HC574			
TP71	74HC574			
TP72	74HC574			
TP73	74HC574			
TP74	74HC574			
TP75	74HC574			
TP76	74HC574			
TP77	74HC574			
TP78	74HC574			
TP79	74HC574			
TP80	74HC574			
TP81	74HC574			
TP82	74HC574			
TP83	74HC574			
TP84	74HC574			
TP85	74HC574			
TP86	74HC574			
TP87	74HC574			
TP88	74HC574			
TP89	74HC574			
TP90	74HC574			
TP91	74HC574			
TP92	74HC574			
TP93	74HC574			
TP94	74HC574			
TP95	74HC574			
TP96	74HC574			
TP97	74HC574			
TP98	74HC574			
TP99	74HC574			
TP100	74HC574			



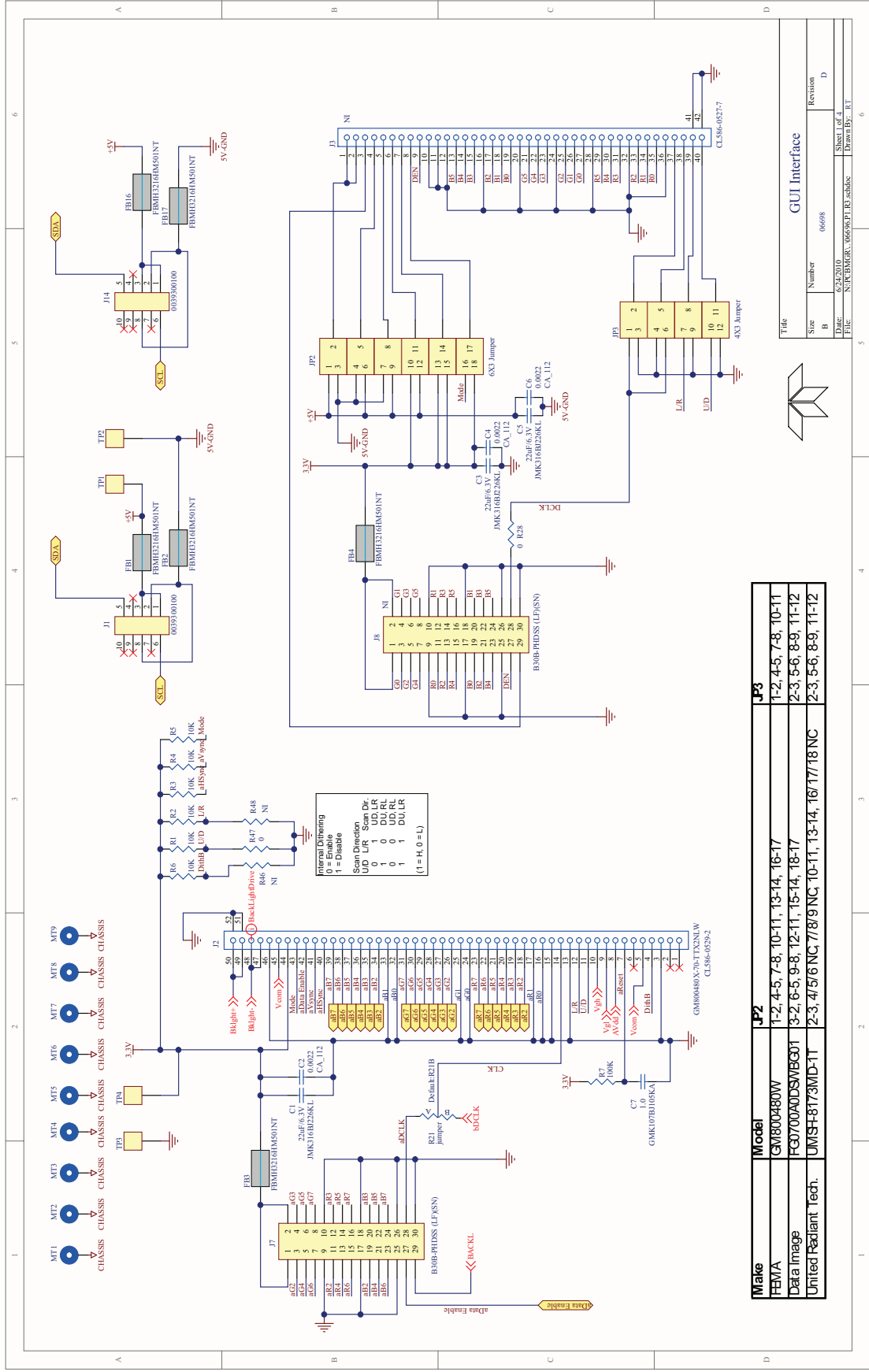
Title		Schematics for E-Series GE Multichannel PCA/PN 65852	
Size	08203	Revision	B
Docu#	13, Mar, 2007	Sheet	8
File	N:\PERMANENT\REF-DESIGN\AMG\DCN6314\DCN6314_05.DWG		



Title		Schematics for E Series OS Microcontroller PCA10682	
Size	Number	Revision	
Docid: 10	09203	B	
Doc: 10	13.May.2007	1	Sheet: 4 of 8
File: N:\E Series OS\10682\REF\OS10682\REF\OS10682_Schematic_052010.dwg			

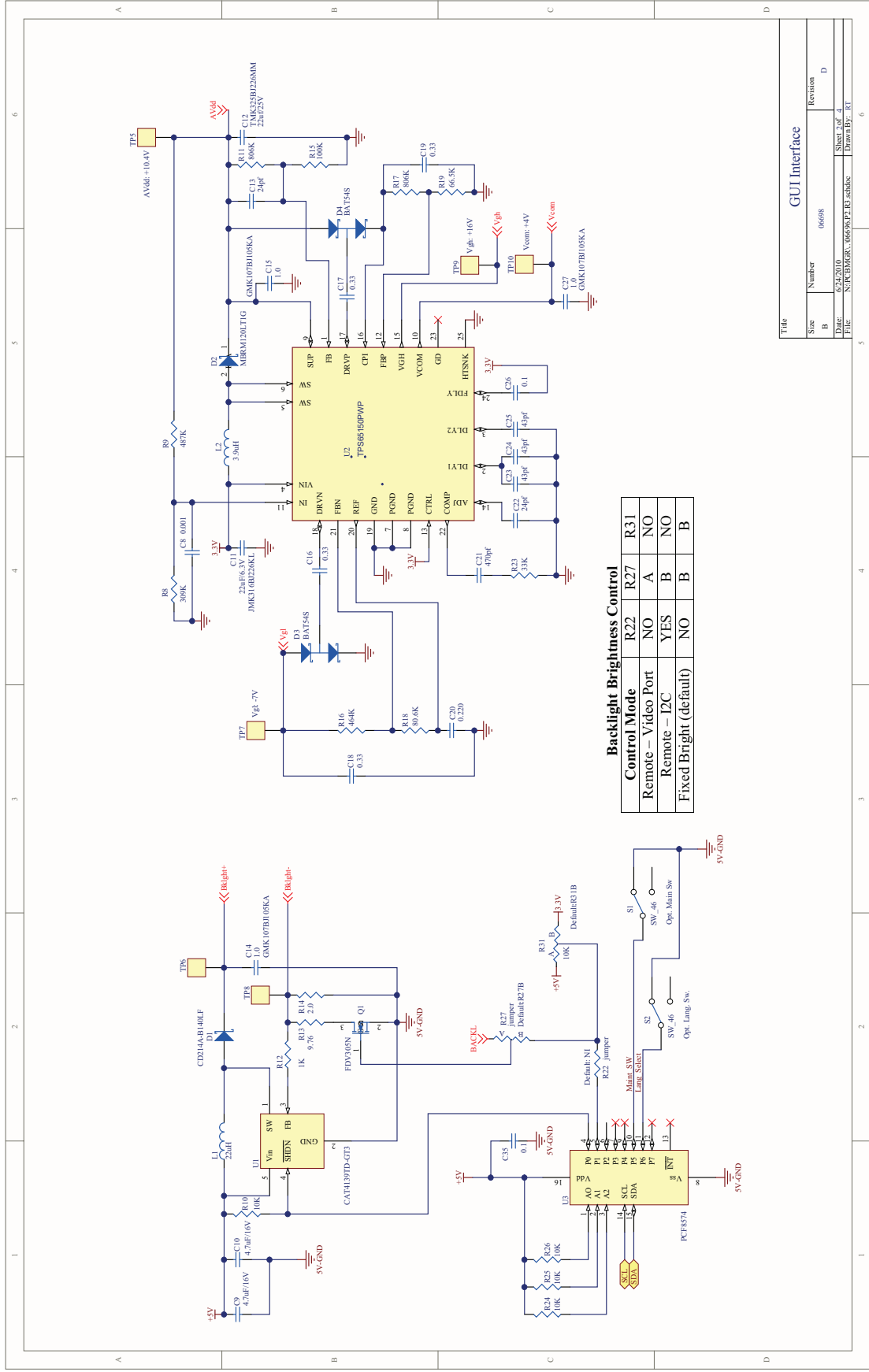


Title		Schematics for E Series GE Motorhead (PCAPN 6582)	
Doc#	15	Number	05203
Date	13 Mar 2007	Revision	B
File	N:\PUB\PCAPN\REL\Series Motorhead\PCAPN 6582\05203.DWG	Sheet	8 of 8



Make	Model	JF3
HEWA	GM800480W	1-2, 4-5, 7-8, 10-11, 13-14, 16-17
Data Image	FG3700A0DSWB301	3-2, 6-5, 9-8, 12-11, 15-14, 18-17
United Radiant Tech.	UMSH-8173MD-11	2-3, 4/5/6 NC, 7/8/9 NC, 10-11, 13-14, 16/17/18 NC

Title			
Size	Number	Revision	
B	06698	D	
Date:	02/2010	Sheet 1 of 4	6
File:	NUFCBMGR_006096.PT_RE.schdoc	Drawn By:	RJT



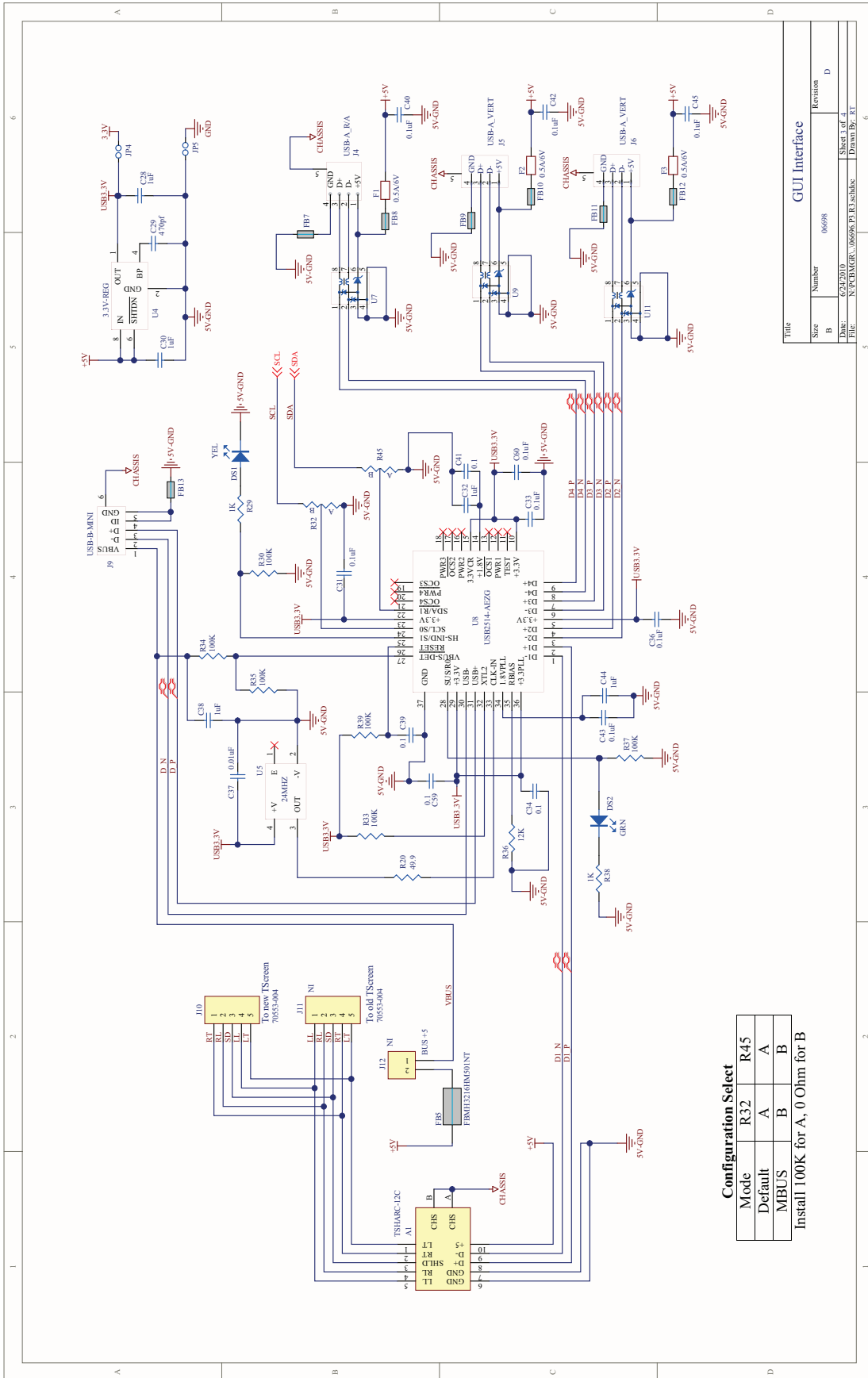
Backlight Brightness Control

Control Mode	R22	R27	R31
Remote – Video Port	NO	A	NO
Remote – I2C	YES	B	NO
Fixed Bright (default)	NO	B	B

GUI Interface

Size	Number	Revision
B	06698	D

Date: 02/20/10
 File: N:\PCB\MGR_06698\F_R_06698.Dwg
 Drawn By: RT



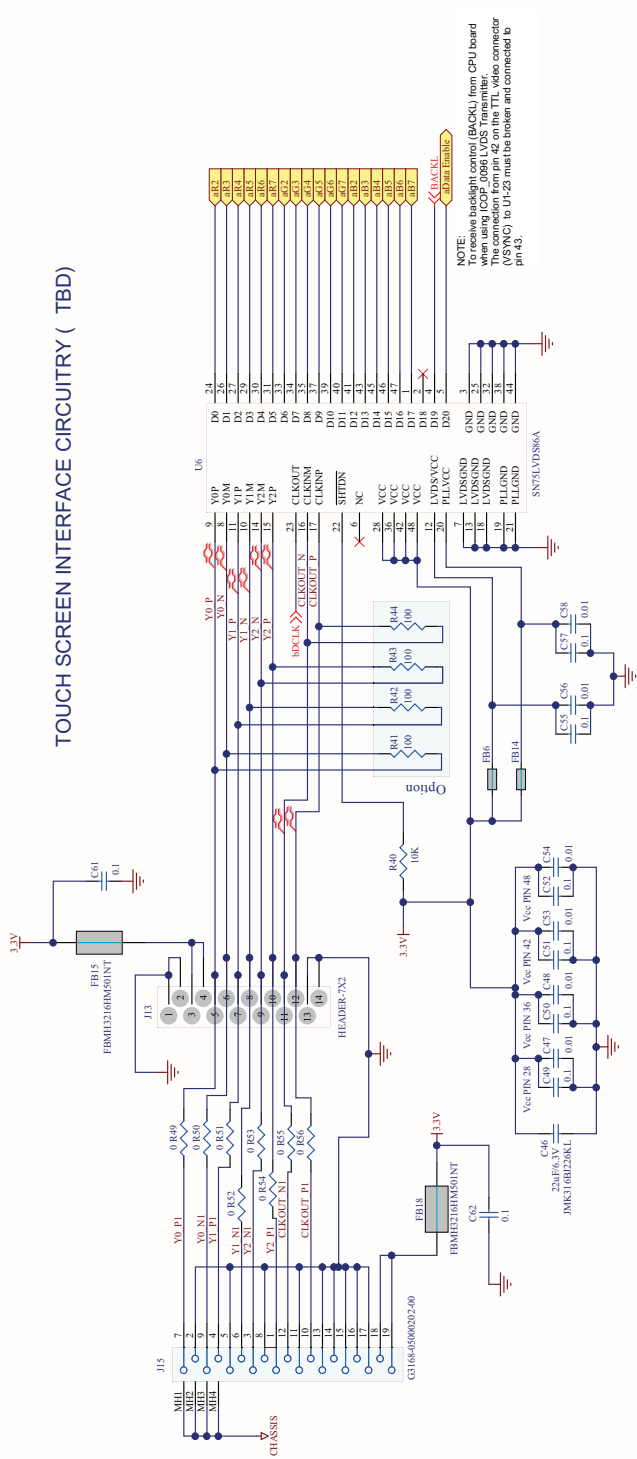
Configuration Select

Mode	R32	R45
Default	A	A
MBUS	B	B

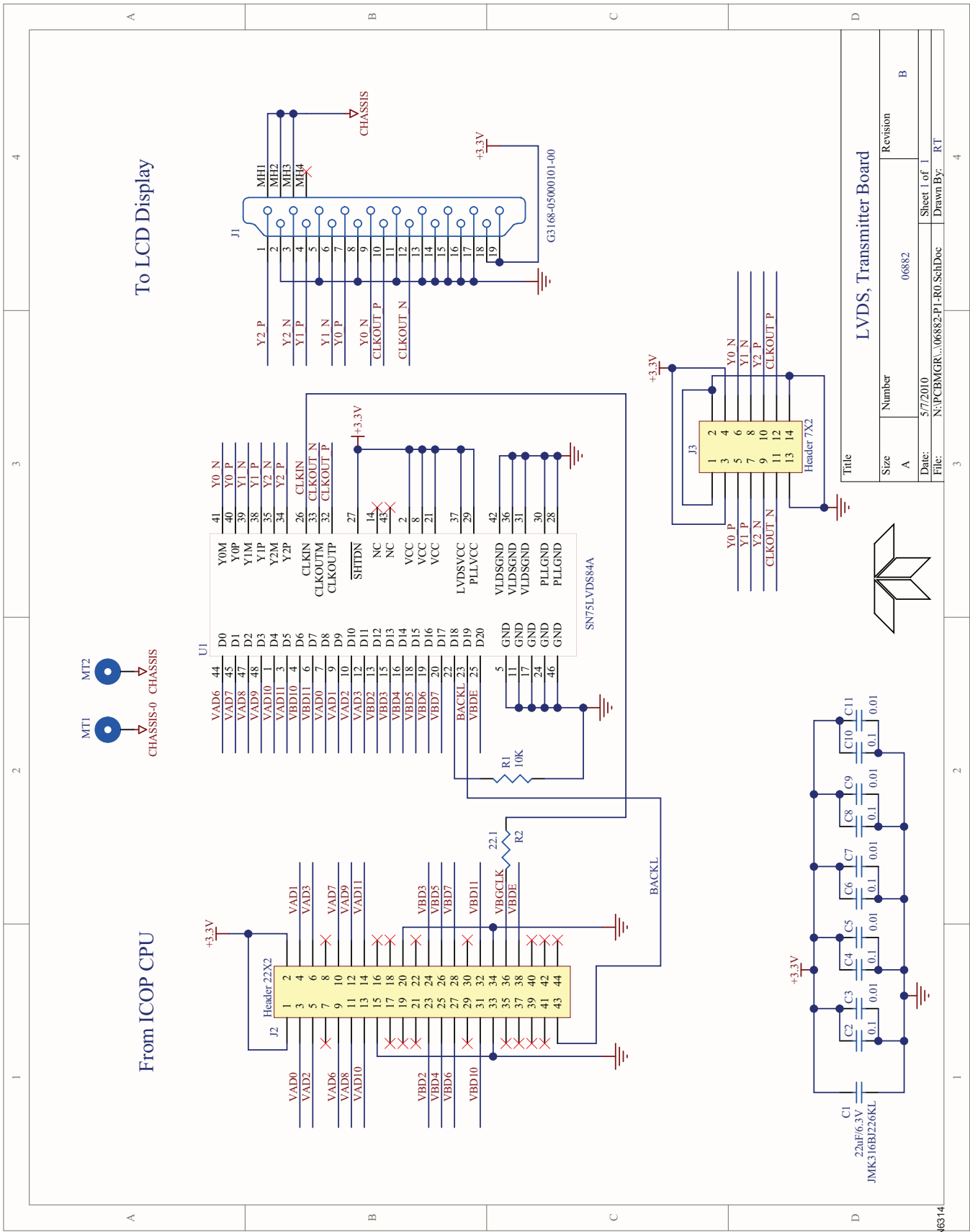
Install 100K for A, 0 Ohm for B

Title		Revision	
Size	Number	06698	D
Date:	0/2/2010	Sheet 1 of 4	
File:	N:\PCB\MGR_06698.P1.P1.schdoc	Drawn By:	RT

TOUCH SCREEN INTERFACE CIRCUITRY (TBD)



Title		
Size	Number	Revision
B	06698	D
Date	02/2010	Sheet 1 of 4
File	NUFCBMGR_006096.PLR.schdoc	Drawn By: RT

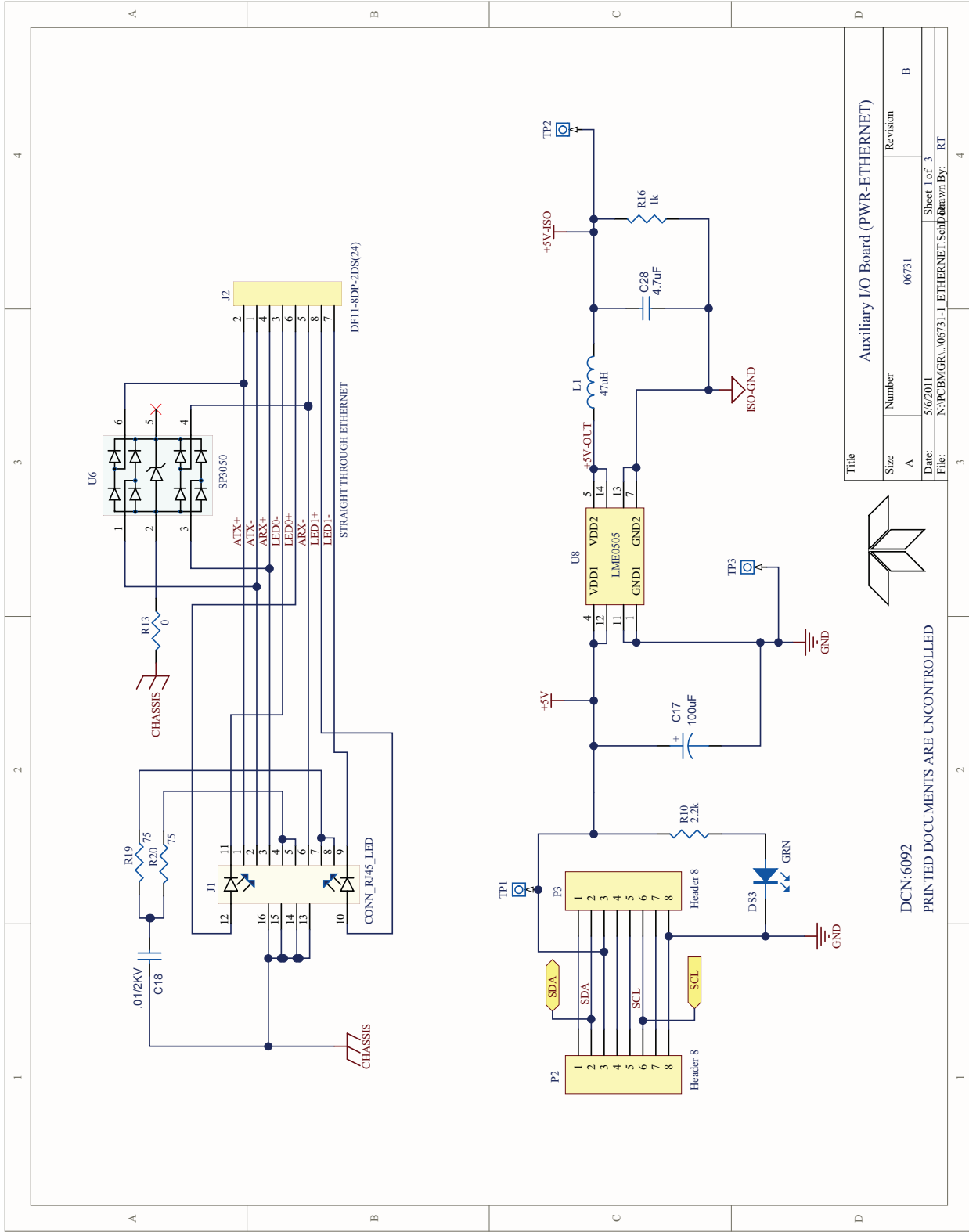


To LCD Display

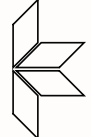
From ICOP CPU

LVDS, Transmitter Board

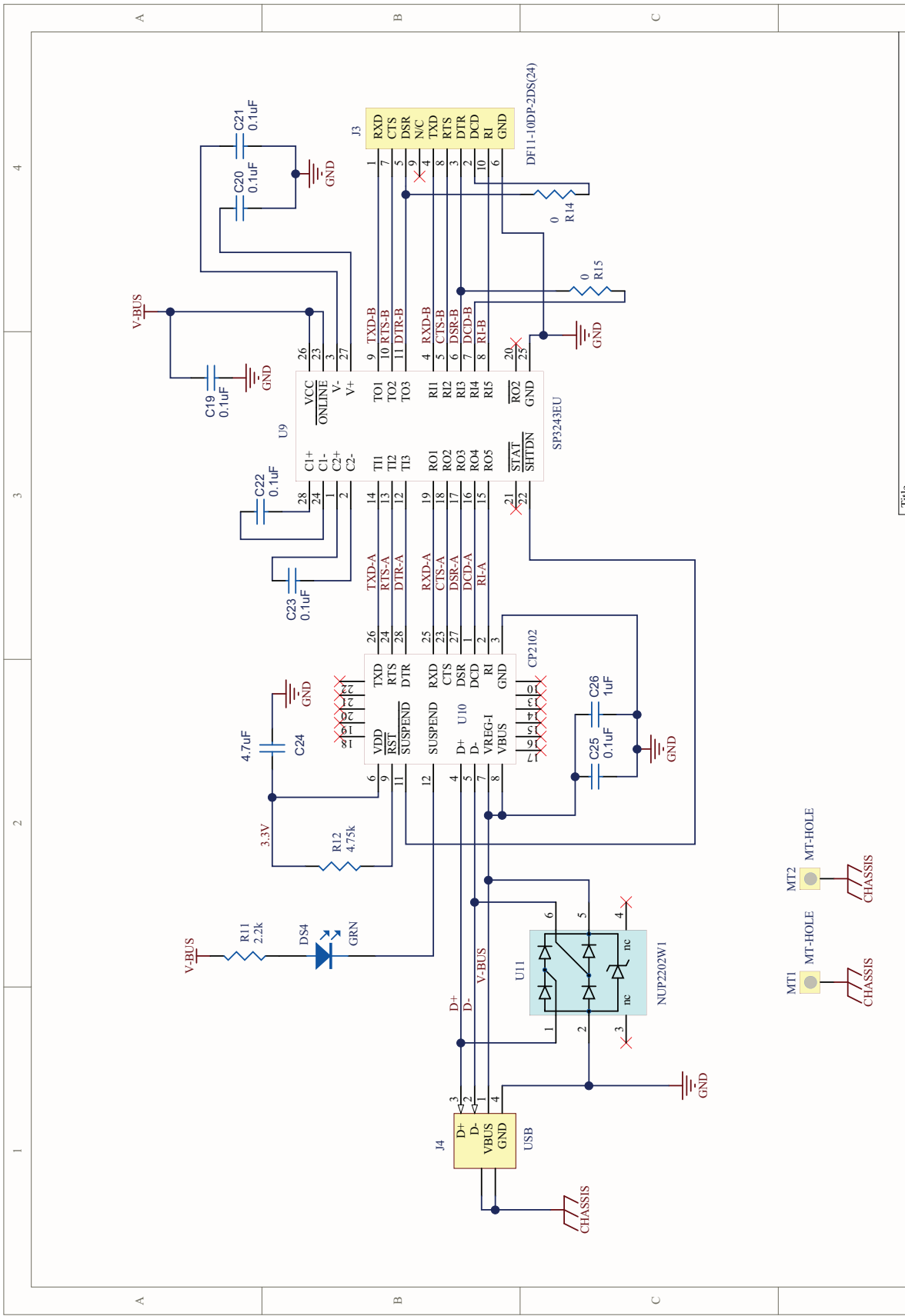
Title		Revision	
Size	Number	06882	
A	B		
Date:	Sheet 1 of 1		
5/7/2010	Drawn By: RT		
File:	N:\PCBMGR\...06882-PI-R0_SchDoc		



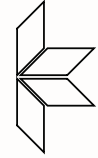
Title	
Size	Number
A	06731
Revision	
B	
Date:	Sheet 1 of 3
File:	N:\PCB\MGR\...06731-1 ETHERNET.Sch
Drawn By:	RT



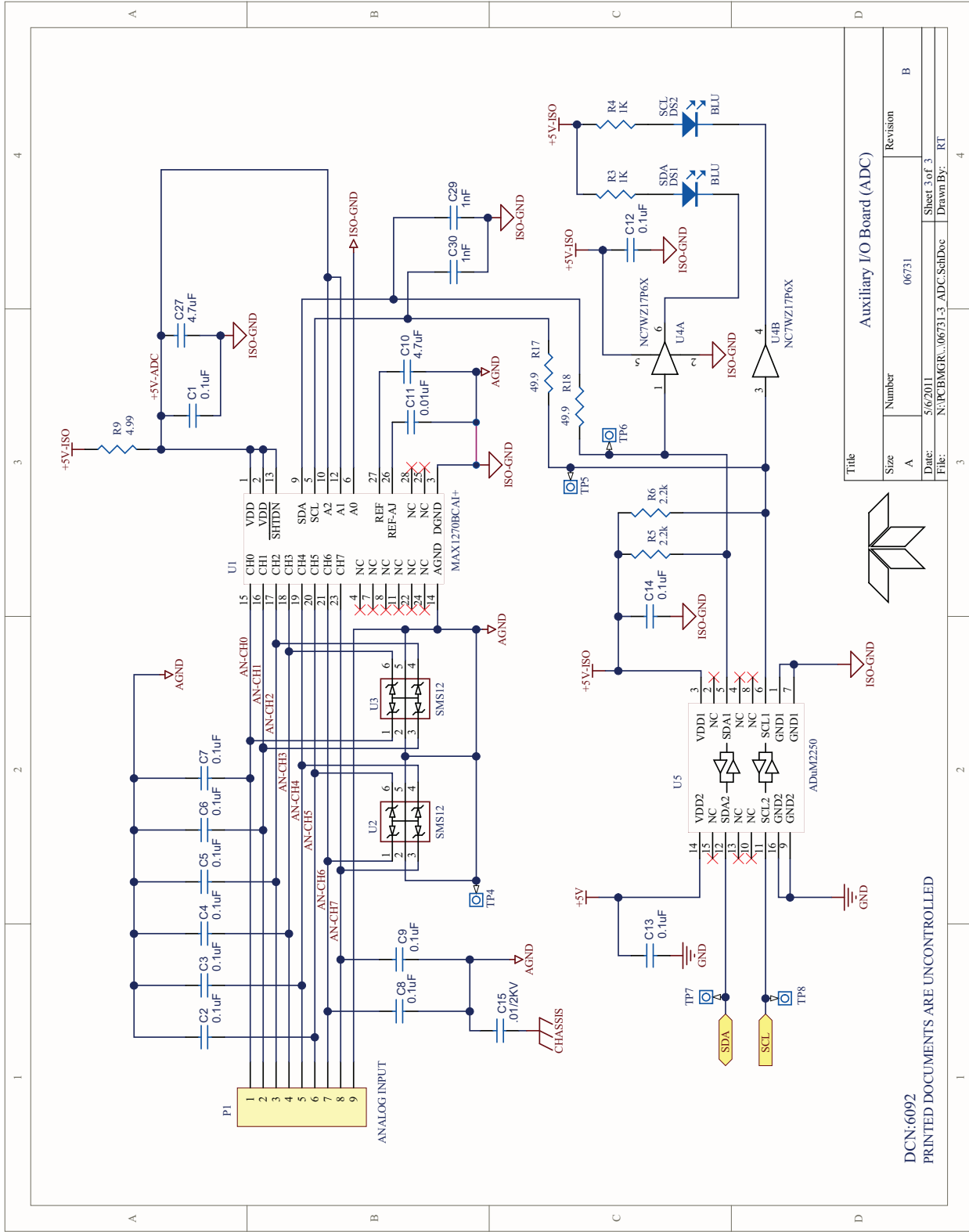
DCN: 6092
 PRINTED DOCUMENTS ARE UNCONTROLLED



Title		Auxiliary I/O Board (USB)	
Size	Number	Revision	
A	06731	B	
Date:	5/6/2011	Sheet 2 of 3	
File:	N:\PCBMGR\...06731-2_USB.SchDoc	Drawn By:	RT



DCN:6092
PRINTED DOCUMENTS ARE UNCONTROLLED



DCN:6092
 PRINTED DOCUMENTS ARE UNCONTROLLED

Title		Revision	
Size	Number		
A	06731		B
Date:	5/6/2011	Sheet 3 of 3	
File:	N:\PCB\MGR\06731-3_ADC.SchDoc	Drawn By:	RT